

GAGGENAU



AI 230 700

Stainless steel
Width 40" (100 cm)
Air extraction / Air recirculation
Standard duct cover included

Installation accessories

AD 200 326

Stainless steel duct cover extension,
Length: 3' 7 5/16" (1,100 mm).

AD 223 346

Mounting kit extension.
Length: 1' 7 1/16" (500 mm). Must
be ordered in conjunction with the
AD200322.

AD 220 396

Stainless steel ceiling collar,
covers screws on duct cover and
uneven gaps of ceilings that are not
completely flat.

Optional accessories

AA 200 816

Air recirculation module with activated
charcoal filter installed on the inside
of the duct cover.

AA 200 110

Activated charcoal filter for AA200816
air recirculation module.

AD 223 356

Adapter for roof inclination left/right

AD 223 366

Adapter for roof inclination front/back

200 series island hood

AI 230

- Classic Gaggenau design
- Highly efficient extraction of cooking vapors
- Low-noise blower
- Patented filter technology with high level of grease absorption
- Rim extraction filter with flat and easy-to-clean stainless steel surface
- Dimmable LED light for optimum illumination of the entire cooktop
- Air extraction or recirculation system
- Air recirculation module with activated charcoal filters: quiet and highly efficient recirculation solution with odor reduction as in air extraction mode, and long replacement intervals

Output

Unobstructed air flow:
490 CFM with \varnothing 6".
Sound pressure level: 61 dBA.
Odor reduction recirculation 95%.

Features

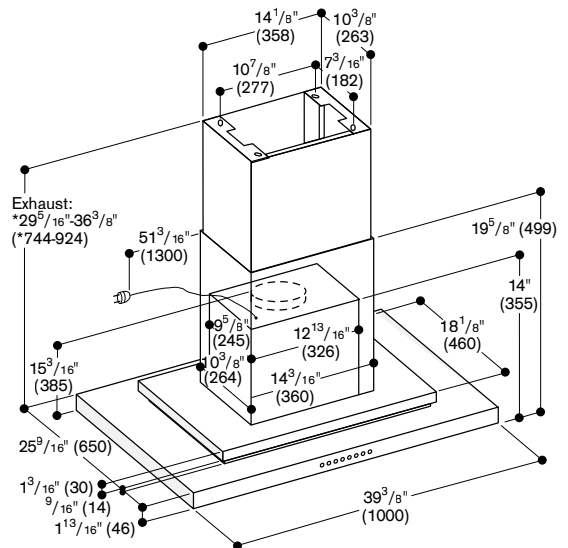
Three electronically controlled power levels and an intensive mode.
Grease filter saturation indicator.
Patented rim extraction filter, dishwasher-safe.
Warm white LED light (3,600 K), continuously dimmable.
Airflow-optimized interior for efficient air circulation.
Easy mounting system for simple installation and alignment.
A one-way flap comes included with the hood.

Planning notes

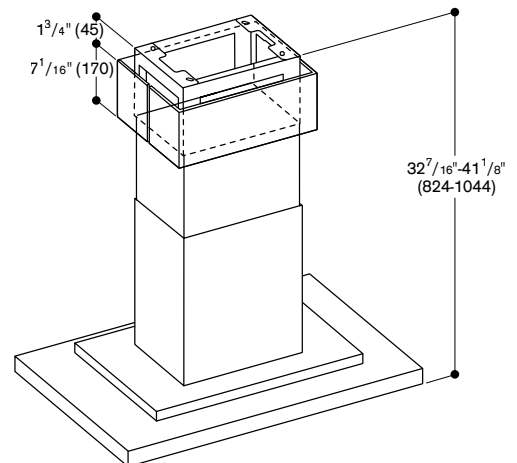
The hood includes a two-part duct cover with dimensions from 2' 1 3/4" (654 mm) to 2' 8 13/16" (834 mm). Individual planning solutions can be accommodated using the optional duct cover accessory AD200326 or by shortening the lower edge of the telescopic duct cover.
Minimum clearance above gas or induction cooktops is 30".
The air recirculation module with activated charcoal filter can be installed on the inside of the duct cover.

Rating

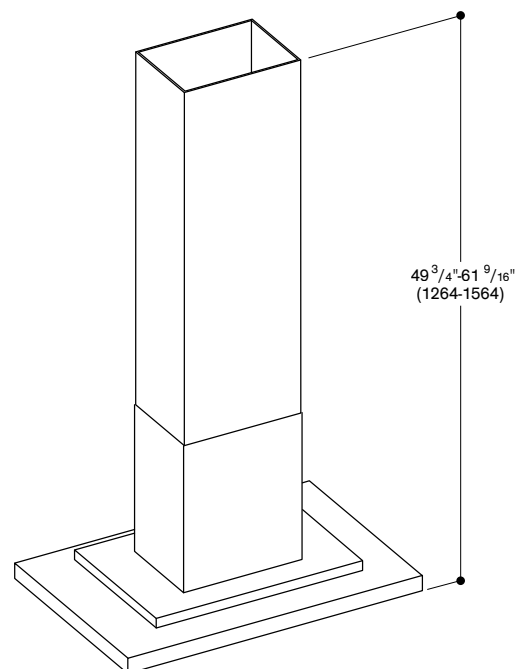
Total rating: 430 W.
Total Amps: 3 A.
120 V / 60 Hz
Connecting cable 51 3/16" with plug.



* Suitable for ceiling heights of 7.7 ft. (2.34 m) to 8.3 ft. (2.52 m); Specifications refer to a distance from floor to lower duct cover edge of 5.2 ft. (1.60 m).



* Suitable for ceiling heights of 8 ft. (2.42 m) to 8.7 ft. (2.64 m); Specifications refer to a distance from floor to lower duct cover edge of 5.2 ft. (1.60 m).



* Suitable for ceiling heights of 9.4 ft. (2.86 m) to 10.4 ft. (3.16 m); Specifications refer to a distance from floor and lower duct cover edge of 5.2 ft. (1.60 m).

Numbers indicated
inside parenthesis () = mm

www.gaggenau.com