

**Gaggenau**

**en-us** Operating instructions

**fr-ca** Notice d'utilisation

# **Dishwasher**

## **DF 280 760**



---

# Table of contents

---

<b>Safety Definitions</b>	<b>6</b>	<b>Dishwasher Cycles</b>	<b>28</b>
<b>IMPORTANT SAFETY INSTRUCTIONS</b>	<b>7</b>	<b>Dishwasher Cycle Options</b>	<b>29</b>
Risk of fire, electrical shock, or serious injury	7	Intensive Zone	29
Grounding Instructions	7	Power	29
Safe Operation	8	Half Load	29
Child Safety	8	Extra Dry	29
Proper Care and Maintenance	9	Wash Cycle Information	29
<b>Causes of Damage</b>	<b>10</b>	<b>Operating the Dishwasher</b>	<b>31</b>
<b>Getting Started</b>	<b>11</b>	Protection against unintentional operation	31
Appliance overview	11	Operating the touch buttons	31
Operating panel	12	Opening the door	31
Dishwasher interior components	12	Changing the settings	31
Info button	12	AquaSensor	31
Time setting	12	Time display	32
Switching on the appliance for the first time	13	Sensor setting	32
Settings	13	extraDry	32
<b>Water softening system / special salt</b>	<b>15</b>	Eco forecast	32
Water hardness table	15	Auto Power Off	32
Adjusting the water softening system	15	EmotionLight	32
Using special salt	15	Remaining time projection	32
Detergent with a salt component	16	infoLight	32
Switching off water softening system	16	Changing start wash cycle	32
<b>Rinse Aid</b>	<b>16</b>	Tone volume	33
Adding rinse aid	16	Button volume	33
Setting the amount of rinse aid used	17	Child-proof lock	33
Switching off rinse aid refill indicator	17	Greeting	33
<b>Loading the Dishwasher</b>	<b>18</b>	Factory setting	33
Dishware material	18	Switching the appliance on	33
Glass and silverware damage	18	Delay start time	33
Loading the racks	18	Wash cycle end	33
Recommended loading pattern	19	Switching off the appliance	34
Loading the silverware basket*	20	Interrupting the wash cycle	34
Rack accessories	20	Terminating the wash cycle	34
Unloading the dishwasher	22	Sensor setting	34
Adjusting the height of the rack	23	<b>Care and Maintenance</b>	<b>35</b>
Upper rack with side levers	23	Overall condition of the dishwasher	35
Removing/Installing third rack	23	Special salt and rinse aid	35
Removing/Installing upper rack	24	Filters	35
Removing/Installing lower rack	25	Spray arms	36
<b>Detergent</b>	<b>26</b>	Drain pump	37
Adding detergent	26	Preparing your unit for vacation	37
Combination detergent	27	Winterizing your unit	37
		<b>Troubleshooting</b>	<b>38</b>
		Error message	38
		Fault table	38

---

<b>Customer Service</b>	<b>45</b>
-------------------------	-----------

---

<b>Statement of Limited Product Warranty</b>	<b>45</b>
What this Warranty Covers & Who it Applies to:	45
How Long the Warranty Lasts	45
Repair/Replace as Your Exclusive Remedy	46
Out of Warranty Product	46
Warranty Exclusions	46
How to Obtain Warranty Service	47

---

<b>Installation and connection</b>	<b>47</b>
Parts included	47
Safety instructions	47
Delivery	47
Technical specifications	48
Installation	48
Drain connection	48
Water supply connection	48
Hot water connection	49
Electrical connection	49
Removing the appliance	49
Transporting the appliance	49
Securing the appliance against frost	50

Congratulations, and Thank You from Gaggenau!

Thank you for selecting a Gaggenau dishwasher. You have joined the many consumers who demand quiet and superior performance from their dishwashers.

This manual was written with your safety and convenience in mind, and the information contained herein is very important. We highly recommend that you read this manual before you use your dishwasher for the first time.

To learn even more about your dishwasher and available accessories, as well as many other top quality Gaggenau appliances, visit our website at [www.gaggenau-usa.com](http://www.gaggenau-usa.com).

Please contact us if you have any questions or comments.

Gaggenau  
1901 Main Street, Suite 600  
Irvine, CA 92614  
USA

Phone +1-877-442-4436

[info@gaggenau-usa.com](mailto:info@gaggenau-usa.com)

[www.gaggenau-usa.com](http://www.gaggenau-usa.com)

---

## Safety Definitions

---

---

 **WARNING**

---

This indicates that death or serious injuries may occur as a result of non-observance of this warning.

---

---

 **CAUTION!**

---

This indicates that minor or moderate injuries may occur as a result of non-observance of this warning.

---

**NOTICE:** This indicates that damage to the appliance or property may occur as a result of non-compliance with this advisory.

**Note:** This alerts you to important information and/or tips.

# **IMPORTANT SAFETY INSTRUCTIONS**

READ AND SAVE THESE INSTRUCTIONS

This dishwasher is provided with Installation Instructions and this Use and Care Manual. Read and understand all instructions before using the dishwasher.

This dishwasher is intended for use up to a maximum altitude of 4,000 meters above sea level.

**To reduce the risk of fire, electrical shock, or serious injury, observe the following:**

---

## **WARNING**

### **Risk of injury or death!**

Misuse of the dishwasher can result in serious injury or death. Do not use the dishwasher in any way not covered in this manual or for any purpose other than those explained in the following pages.

---

---

## **WARNING**

### **Risk of injury!**

Severe injury and/or product damage could result from the use of unauthorized service technicians or non-original replacement parts. All repairs must be performed by an authorized service technician using only original equipment factory replacement parts.

---

---

## **WARNING**

### **Risk of electrical shock or fire!**

Electrical shock or fire could result if the electrical supply for the dishwasher covered in this manual is incorrectly installed or if the dishwasher has been improperly grounded. Do not use the dishwasher covered in this manual unless you are certain the electrical supply has been correctly installed and the dishwasher has been properly grounded.

---

---

## **WARNING**

### **Health hazard!**

Never use harsh chemicals to clean your dishwasher. Some chloride-containing products can damage your dishwasher and may present health hazards!

---

## **Grounding Instructions**

This appliance must be grounded to a metal, permanent wiring system or an equipment grounding conductor must be run with the circuit conductors and connected to the equipment grounding terminal or lead on the dishwasher. See the Installation Instructions included with this dishwasher for more information on electrical requirements.



# IMPORTANT SAFETY INSTRUCTIONS

READ AND SAVE THESE INSTRUCTIONS



---

## WARNING

### Risk of electric shock!

This appliance must be grounded. In the event of a malfunction or breakdown, grounding will reduce the risk of electric shock by providing a path of least resistance for electric current. This appliance is equipped with a cord having an equipment-grounding conductor. Improper connection of the equipment-grounding conductor can result in risk of electric shock. Check with a qualified electrician or service technician if you are in doubt whether the appliance is properly grounded.

---

## Safe Operation

Use this dishwasher only for its intended function, which is the washing of household dishware and kitchenware rated as dishwasher safe.

Use only detergents or rinsing agents recommended for use in a dishwasher, and keep them out of the reach of children.

---



## CAUTION!

When loading items to be washed:

- Locate sharp items so they are not likely to damage the door seal.
  - Load knives and other sharp utensils with their HANDLES UP to reduce the risk of cut-type injuries.
  - Do not wash plastic items unless they are marked “dishwasher safe” or the equivalent. For plastic items not so marked, check the manufacturer’s recommendations.
  - Do not operate your dishwasher unless all enclosure panels are in place.
  - Do not tamper with or override controls and interlocks.
- 

Do not abuse, sit or stand on the door or dish racks of the dishwasher.

---



## WARNING

### Risk of injury!

To avoid risk of injury, always use caution when opening the door during or following a wash cycle as hot water or steam may escape. Do not fully open the door until water noises have stopped and steam has subsided.

---

NSF/ANSI 184 Certified residential dishwashers are not intended for licensed food establishments.

## Child Safety

To reduce risk of injury, do not allow children to play in or on the dishwasher.

When children become old enough to operate the appliance, it is the responsibility of the parents/legal guardians to ensure the children are instructed in safe practices by qualified persons.



# **IMPORTANT SAFETY INSTRUCTIONS**

READ AND SAVE THESE INSTRUCTIONS

## Proper Care and Maintenance

---

### **WARNING**

#### **Risk of explosion!**

Under certain conditions, hydrogen gas may be produced in a hot water system that has not been used for two weeks or more. Hydrogen gas is explosive. Before using a dishwasher that is connected to a hot water system that has been unused for two weeks or longer, turn on all hot water faucets and let the water flow from each for several minutes. This will release any accumulated hydrogen gas. As the gas is explosive, do not smoke or use an open flame during this time.

---

---

### **WARNING**

#### **State of California Proposition 65 Warnings!**

This product contains one or more chemicals known to the State of California to cause cancer, birth defects, or other reproductive harm.

---

Remove the dishwasher door to the washing compartment when removing an old dishwasher for service or discarding.

To avoid floor damage and possible mold growth, do not allow wet areas to remain around or under the dishwasher.

To avoid dishwasher damage, do not allow water to remain in your dishwasher systems through extended periods of freezing temperatures. Freezing temperatures can damage the water fill valve and potentially other components of your dishwasher.

**NOTICE:** It is highly recommended for the end user to become familiar with the procedure to shut off the incoming water supply and the procedure to shut off the incoming power supply. See the Installation Instructions or contact your installer for more information.

---

## Causes of Damage

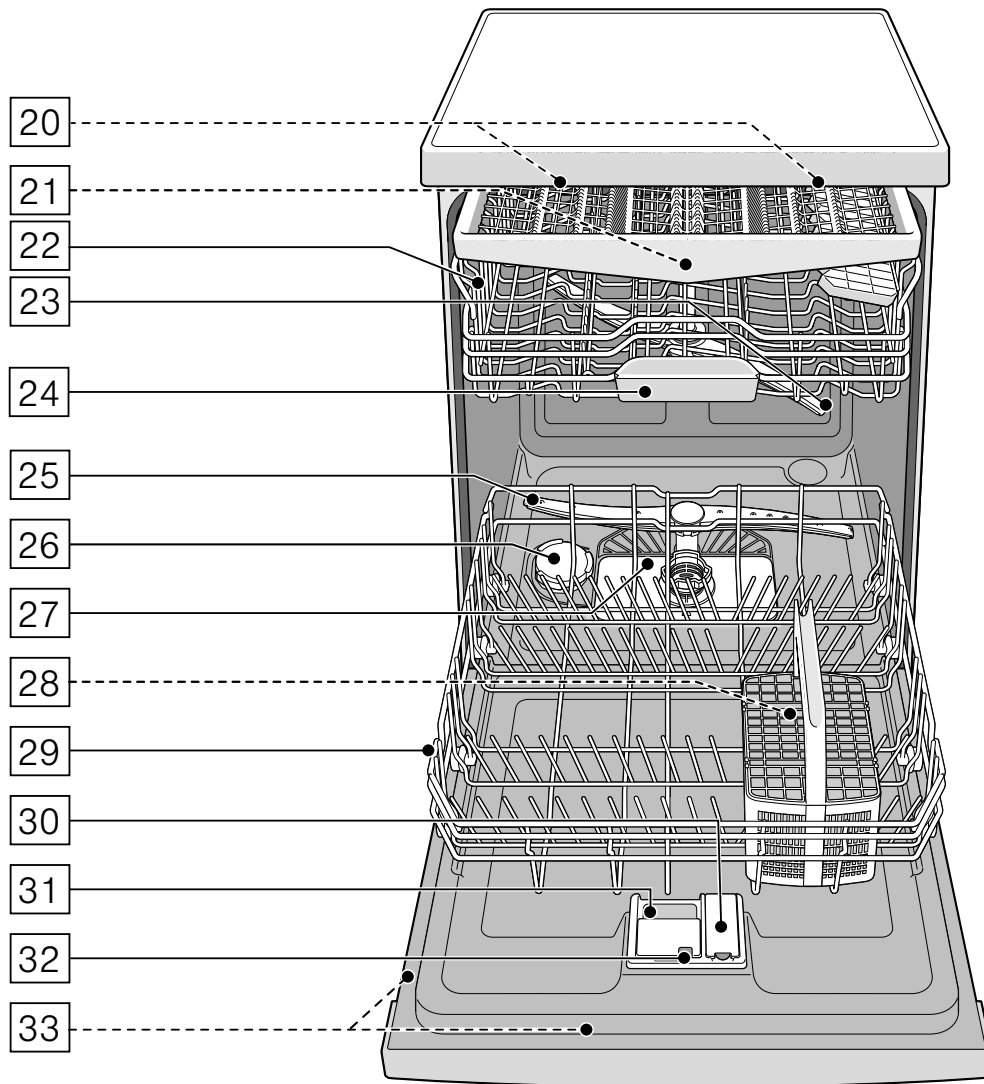
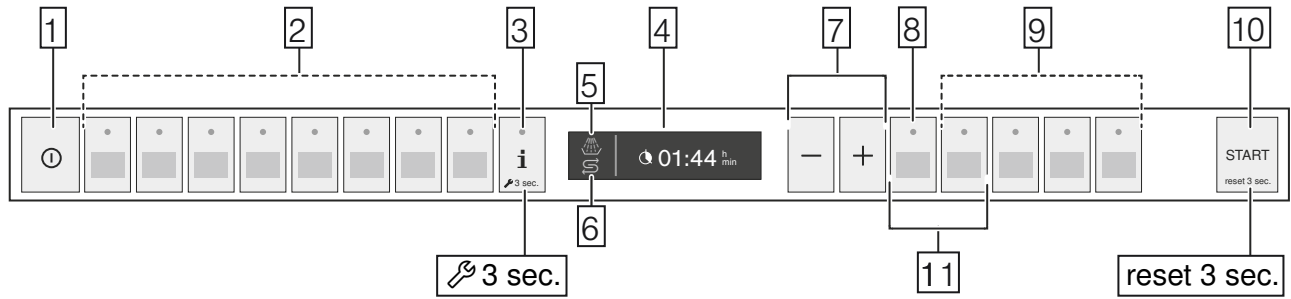
---

### **NOTICES:**

- Never use steam cleaning products to clean your dishwasher. The manufacturer will not be liable for the possible damages or consequences.
- To avoid possible dishwasher damage, do not use harsh chemicals, abrasive cleaners, scouring pads (metal or plastic), or abrasive cloths/paper towels to clean your dishwashers exterior door panel. Your dishwasher's exterior door panel can be damaged by doing so.
- To avoid dishwasher damage, do not load the dishwasher with paper products, plastic bags, packing materials or anything other than normal, dishwasher safe dishware and kitchenware.
- **Protect your dishwasher from the elements. Protect against freezing to avoid possible damage to the fill valve. Damage caused by freezing is not covered by the warranty.**

# Getting Started

## Appliance overview



The numbers stated below refer to the overview images on the previous page of this manual.

## Operating panel

- 1 On/Off button
- 2 Wash cycles\*\*
- 3 Info button **i**
- 4 Digital display
- 5 Rinse aid refill indicator
- 6 Salt refill indicator
- 7 Selection buttons
- 8 Time preselection
- 9 Wash cycle options\*\*
- 10 START button
- 11 < > button

\*\*number of wash cycles and options varies on specific model number

## Dishwasher interior components

- 20 Interior light \*
- 21 Third rack\*
- 22 Upper rack
- 23 Upper spray arm
- 24 Detergent tab tray
- 25 Lower spray arm
- 26 Dispenser for special salt
- 27 Filters
- 28 Silverware basket \*
- 29 Lower rack
- 30 Rinse aid dispenser
- 31 Detergent dispenser
- 32 Lock for detergent dispenser
- 33 Rating plate

\* optional feature which may or may not be included with your dishwasher

## Info button **i**

The Info button **i** can be used to display additional wash cycle information.

1. Press the Info button **i** 3.
2. Press the wash cycle button.

Information on the selected wash cycle is indicated on the display window at the top 4.

3. To leave, press Info button **i** 3.

## Time setting

When the appliance is switched on for the first time, the time starts at 12:00 o'clock.

### Set the time as follows:

1. Open the door.
2. Switch on ON/OFF switch 1.
3. Press Info button **i** 3 for 3 seconds until the following text is indicated on the display window at the top 4:

**Scroll with** < >

**Set with** - +

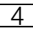
**Leave with**  3 sec.

4. Keep pressing button > 11 until the time setting is indicated on the display window at the top 4.
5. Make the setting with setting buttons + - 7. If the selection buttons + - 7 are held down, the set values are changed in 10-minute increments.
6. Press and hold the Info button **i** 3 for 3 seconds.

The selected setting has now been stored.

**Note:** If the appliance was disconnected from the power supply for a prolonged period, the time starts at 12:00 o'clock. Set the time.

## Switching on the appliance for the first time

When the dishwasher is switched on for the first time, you are taken directly to the settings for switching on the appliance for the first time. The following text is indicated on the display window at the top :

**Scroll with** < >

**Set with** + -

**Leave with**  3 sec.

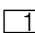
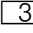
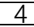
The required settings for switching on the appliance for the first time are listed in the table below.

Settings Switching on the appliance for the first time	Factory setting	Infotext by pressing Info button <b>i</b>
Language	American English	Language selection.
Time format	24h	12h or 24h.
Time setting	12:00	Set the current time.
Water hardness	°E 0	Setting water hardness. When using Multitabs, select the lowest setting.
Rinse aid disp.	Level 5	Amount of rinse aid affects drying. When using Multitabs, select setting 0.

## Settings

The dishwasher has been preset with certain settings for your convenience. You can change these factory setting.

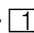
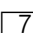
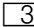
### Change the setting as follows:

1. Open the door.
2. Switch on ON/OFF switch .
3. Press Info button **i**  for 3 seconds until the following text is indicated on the display window at the top :

**Scroll with** < >

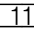
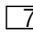
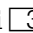
**Set with** - +

**Leave with**  3 sec.

4. Keep pressing button >  until the required setting is displayed.
5. Make the selection with setting buttons + - .
6. Press and hold the Info button **i**  for 3 seconds.

The chosen setting has now been stored.

### Change the setting as follows:

1. Keep pressing button >  until the required setting is displayed.
2. Make the selection with setting buttons + - .
3. Press and hold the Info button **i**  for 3 seconds.

The selected setting has now been stored.

You have the option of resetting all changed settings back to the original factory settings.

**Note:** When you reset your dishwasher to the factory settings, you are taken directly to the settings for switching on the appliance for the first time.

Setting	Factory setting	Infotext by pressing Info button <b>i</b>
Time setting	12:00	Set the current time.
Time format	24h	12h or 24h.
Time display	Time	Show end of wash cycle with display "Finish in" or "Finish at".
Language	American English	Language selection.
Water hardness	°E 0	Setting water hardness. When using Multitabs, select the lowest setting.
Rinse aid disp.	Level 5	Amount of rinse aid affects drying. When using Multitabs, select setting 0.
Sensor setting	Standard	Adjustment of soiling detection for optimum cleaning result.
Extra dry	Off	Improved drying for glasses and plasticware.
Eco forecast	Off	Show the water and energy consumption.
Auto Power Off	Off	Appliance automatically switches off at end of rinsing process.
Emotion Light *	On	Interior light.
Front display *	On	The front display can be selected.
Remaining time proj. *	On	While wash cycle is running, status information is projected onto floor.
Infolight *	On	Light is projected to signal an active wash cycle.
Start wash cycle	Auto 130-150° F	When switching on, the last selected wash cycle appears.
Tone volume *	Level 2	Volume of signal at end of wash cycle.
Button volume	Level 2	Volume when using buttons.
Child-proof lock *	Off	Activated child-proof lock impedes opening of door.
Eco drying *	On	Door opens automatically at the end of the wash cycle.
Greeting	On	When switching on the appliance, the brand logo can be deselected.
Factory setting	Reset	Resetting to the factory setting.

\* depending on the features of your dishwasher

## Water softening system / special salt

To ensure good rinsing results, the dishwasher requires soft water, i.e. water which is low in lime, otherwise limescale will be deposited on the utensils and interior container. Tap water above 7° dH (1.2 mmol/l) must be softened. The water is softened with special salt (regeneration salt) in the water softening system of the dishwasher. The setting and therefore the required amount of salt depends on the degree of hardness of your tap water (see following water hardness table).

### Water hardness table

Water hardness value °E	Hardness range	mmol/l	Set value on the machine
0-8	soft	0-1.1	0-8
9-10	soft	1.2-1.4	9-10
11-12	medium	1.5-1.8	11-12
13-15	medium	1.9-2.1	13-15
16-20	medium	2.2-2.9	16-20
21-26	hard	3.0-3.7	21-26
27-38	hard	3.8-5.4	27-38
39-62	hard	5.5-8.9	39-62

### Using a water hardness test strip

The strip will be included in the detergent sample kit.

#### Sample test strip

Kurz eintauchen (1 sec), leicht abschütteln und nach 1 min ablesen. 4 grün/green/vert 1 rot/red/rouge 2 rot/red/rouge 3 rot/red/rouge 4 rot/red/rouge	Dip briefly (1 sec), shake of excess water and compare after 1 min. □□□□□□□□ ■□□□□□□□ ■□□□□□□□ ■□□□□□□□ ■□□□□□□□	Plongez brièvement (1 sec), égouttez l'excès d'eau et comparez après 1 min. <3°dH/ <3.75°e/ <5.4°F >4°dH/ >5°e/ >7.2°F >8.4°dH/ >10.5°e/ >15.1°F >14°dH/ >17.5°e/ >25.2°F >21°dH/ >26.25°e/ >37.8°F	<b>AQUADUR®</b> Teststäbchen zur Bestimmung der Wasserhärte Test stick for determination of water hardness Bandelette pour déterminer la dureté de l'eau
--	---	--	---

## Adjusting the water softening system

The amount of salt dispensed can be set from 0 to 62°E. Salt is not required at the set value 0-8.

### Set the softening system as follows:

1. Ask your local water utility company for the water hardness value of the tap water.
2. Required setting can be found in the water hardness table.
3. Open the door.
4. Switch on ON/OFF switch .
5. Press Info button **i**  for 3 seconds until the following text is indicated on the display window at the top :

Scroll with < >

Set with - +

Leave with  3 sec.

6. Keep pressing button >  until the water hardness is indicated on the display window at the top .
7. Make the selection with setting buttons + - .
8. Press and hold the Info button **i**  for 3 seconds.

The chosen setting has now been stored.

### Using special salt

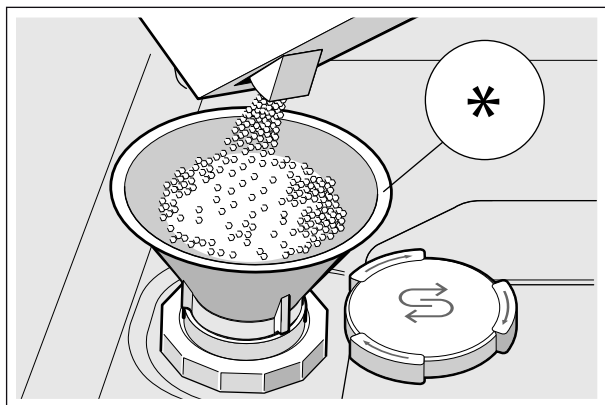
As soon as the low salt indicator  lights up on the digital display, salt should be topped off. Always refill with special salt immediately before switching on the appliance. This ensures that overrun special salt solution is immediately washed out and does not corrode the rinsing tank.

**NOTICE:** Detergent will destroy the water softening system! Never pour detergent into the salt dispenser.

**Top off the salt as follows:**

1. Undo the screw plug on the dispenser [26].
2. Fill the dispenser with water (required only when switching on the appliance for the first time).
3. Add salt as illustrated (**do not use table salt or tablets**).

The water is displaced and runs out.



For more information about buying dishwasher salt, please contact customer service (1-800-944-2904).

**Using detergents with salt component**

If combined detergents with a salt component are used, special salt can usually be omitted up to a water hardness of 21° dH (37° fH, 26° Clarke, 3.7 mmol/l). If the water hardness is over 21° dH, salt must be used.

**Switching off low salt indicator / water softening system**

If the use of combined detergents with a salt component impairs the low salt indicator [6] on the control panel or the text on the display window at the top [4] (enough salt for x rinse cycles), the displays can be switched off.

Proceed as described under “Setting water softening system” and set the value to **0-8**. The water softening system and salt refill indicator are now switched off.

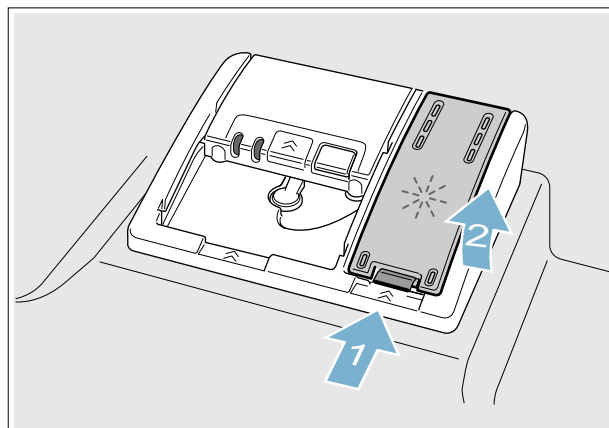
**Rinse Aid**

As soon as the low rinse aid indicator [5] lights up on the control panel, rinse aid should be topped off. The rinse aid is required for stain-free utensils and clear glasses. Use only rinse aid which the manufacturer designates as safe to use in domestic dishwashers. Combined detergents with rinse aid component may be used up to a water hardness of 21° dH (37° fH, 26° Clarke, 3.7 mmol/l) only. If the water hardness is over 21° dH, rinse-aid must be used.

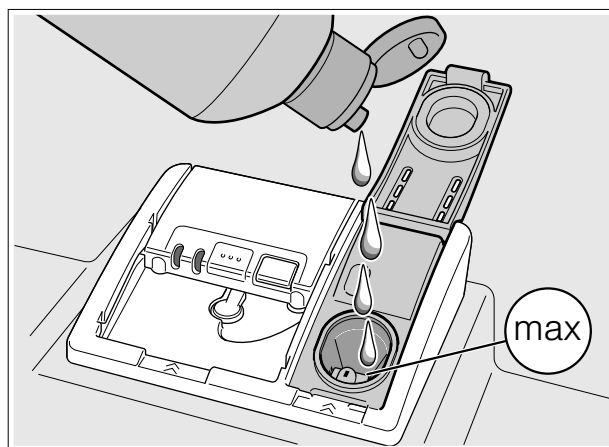
**Adding rinse aid**

**NOTICE:** To avoid oversudsing or clogging, do not overfill the rinse aid dispenser [30]. Wipe up any spills with a damp cloth.

1. Open the rinse aid dispenser [30] by pressing on the latch of the lid and pulling it open.



2. Add liquid rinse aid to the dispenser [30] until it is full. Do not overfill.





- Close the lid. Lid must be fully closed until it clicks in order to seal.
- Wipe up any excess rinse aid that may have puddled when the dispenser reservoir is full.

This prevents excessive frothing during the next wash cycle.

**NOTICE:** Do not fill the rinse aid dispenser [30] with detergent. Doing so will damage the dishwasher.

## Setting the amount of rinse aid used

The amount of rinse aid to be dispensed can be set from 0 to 6. Set the amount of rinse aid to be dispensed to 5 to obtain a very good drying result. Do not change the amount of rinse aid unless there are streaks or water stains on the utensils. Set a lower level to avoid streaks. Set a higher level to avoid water stains.

### Set the amount of rinse aid as follows:

- Open the door.
- Press on ON/OFF button [1].
- Press Info button i [3] for 3 seconds until the following text is indicated on the display window at the top [4]:

**Scroll with** < >

**Set with** - +

**Leave with** ⌚ 3 sec.

- Keep pressing button > [1] until the rinse aid dispenser is indicated on the display window at the top [4].
- Make the selection with setting buttons + - [7].
- Press and hold the Info button i [3] for 3 seconds.

The chosen setting has now been stored.

**Note:** Do not change the amount of rinse aid unless there are streaks (select lower setting) or water stains (select higher setting) visible on the utensils.

## Switching off rinse aid refill indicator

If the use of combined detergents with a rinse aid component impairs the low rinse aid indicator [5] on the control panel (enough rinse aid for x rinse cycles), the displays can be switched off.

Proceed as described under "Setting amount of rinse aid" and select setting 0.

**NOTICE:** Using rinse aid and setting the dispenser to 0 may result in longer cycle times consuming more energy and water. The higher temperatures can damage fine china or glassware.

## Loading the Dishwasher

### Dishware material

**Note:** Before using your dishwasher for the first time, check the information in this section. Some items are not dishwasher-safe and should be hand washed; others require special loading.

#### Recommended

Aluminum	Colored anodized aluminum may fade over time. Minerals in your water may cause the aluminum to darken or spot. This can usually be removed with a soap-filled steel wool pad.
China, Crystal, Stoneware	Some hand-painted utensils may discolor, fade or spot. Hand wash these utensils. Position fragile glassware so that it will not topple over or come in contact with other utensils during the wash cycle.
Glass	Milk glass may discolor or become yellow.
Non-stick Coatings	Apply a light coating of vegetable oil to non-stick surfaces after drying.
Plastics	Make sure the plasticware is dishwasher-safe.
Stainless Steel, Sterling Silver and Silver Plates	Load these so they do not come in contact with other metals, stainless steel dishwasher tank walls or the inner door.

#### Not Recommended

Acrylic	Crazing or small cracks throughout the acrylic, may occur.
Adhesive-Joined Pieces	Adhesives that join materials such as plastic, wood, bone, steel, copper, tin, etc. may loosen.
Bone-Handled Utensils	Handles may separate.
Iron	Iron will rust. Hand wash and dry immediately.
Non-Dishware Items	Your dishwasher is intended for use in cleaning ONLY standard household dishware and kitchenware.
Pewter, Brass, Bronze	These items will tarnish. Hand wash and dry immediately.

## Glass and silverware damage

### Causes:

- Glass type and glass production process.
- Chemical composition of the detergent.
- Water temperature of the wash cycle.

### Recommendation:

- Use only glasses and porcelain which the manufacturer designates as dishwasher-safe.
- Use a detergent which protects silverware.
- Take glass and silverware out of the dishwasher as soon as possible after the wash cycle ends.

## Loading the racks

For best dishwashing results, observe the following when loading the dishwasher:

- Do not pre-wash items with loosely attached food soil.
- Remove all food particles, bones, toothpicks and excessive grease.
- Items having burned-on, baked-on or starchy soils may require some pre-treatment.
- Load dishes in the dishwasher racks so the insides of bowls, pots and pans are facing the spray arms.
- Avoid nesting and contact points between dishes.
- Separate items of dissimilar metals. Use care to not block movement of the spray arms.
- Only wash household dishware and kitchenware rated as dishwasher-safe.

Refer to the Dishware Materials section for more information about dishware suitability.

**NOTICE:** To avoid dishwasher damage, do not load the dishwasher with paper products, plastic bags, packing materials or anything other than normal, dishwasher safe dishware and kitchenware.

### Loading the upper rack

Ensure items do not protrude through the bottom of the racks and block the spray arms.

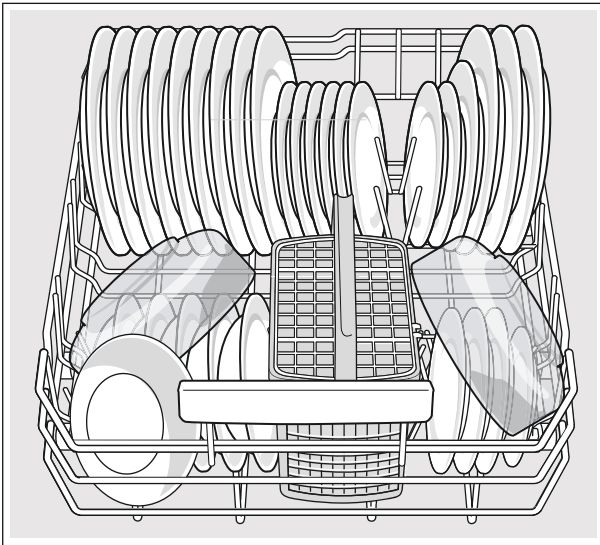
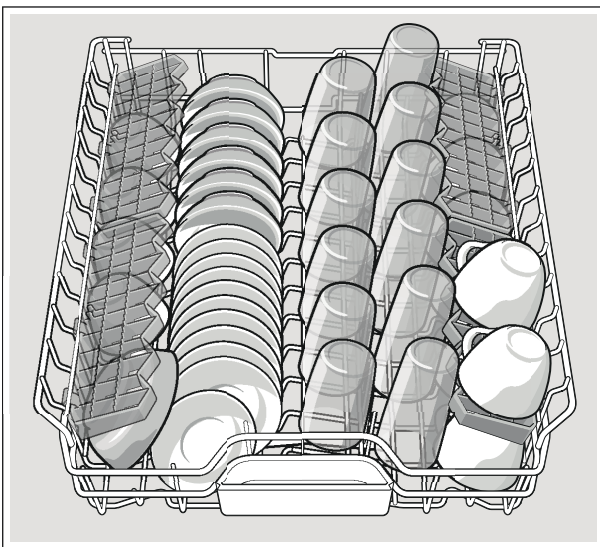
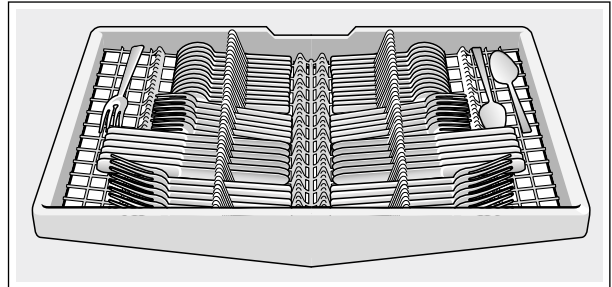
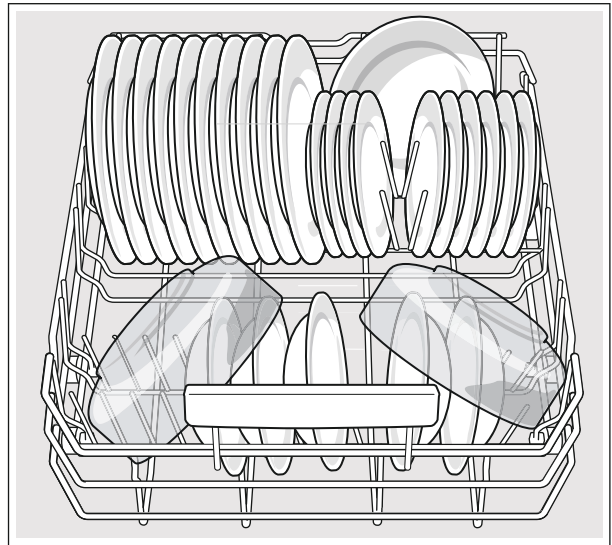
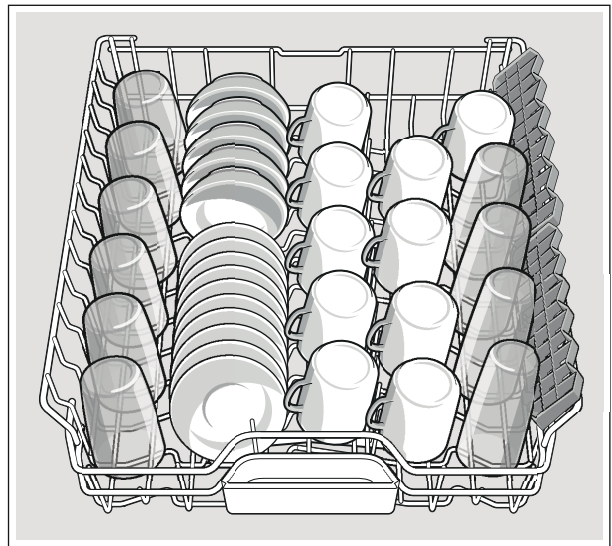
**Note:** When pushing the upper rack [22](#) into the dishwasher, push it until it stops against the back of the tub so the upper rack spray arm [23](#) connects to the water supply at the back of the tub. Do not push racks in using the door.

**Loading the lower rack**

Place large items in the lower rack [29](#). Load pots, pans and bowls upside down. Do not block the vent hole with tall baking sheets. Load these items on the right side of the dishwasher.

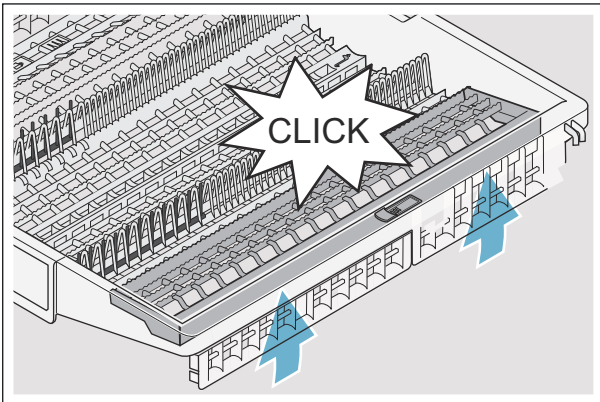
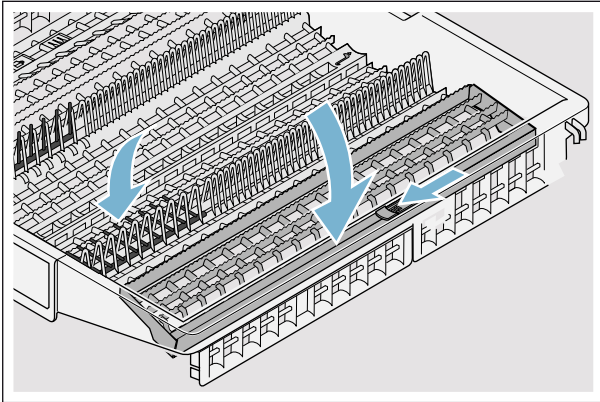
**Recommended loading pattern**

**Note:** Folding the cup shelves down will allow the cups to sit at an increased angle and reduce water pooling on cup bottoms.

**Lower rack - 12 place setting****Upper rack - 12 place setting****Third rack - 12 place setting****Lower rack - 10 place setting****Upper rack - 10 place setting**



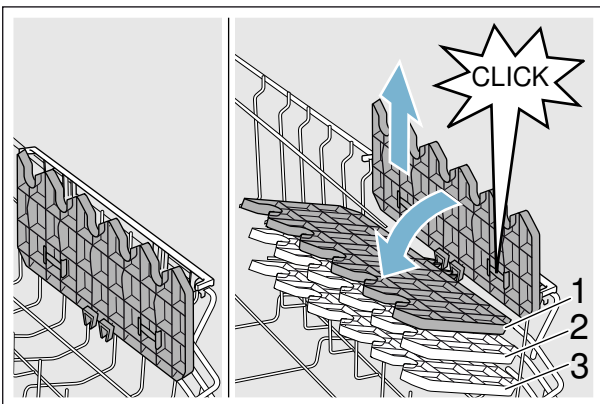
Depending on the features of your dishwasher, you can fold down the side shelves to provide more room for taller items of silverware. The front rows of prongs can be folded down to provide room for wider handles.



\* optional feature which may or may not be included with your dishwasher

**Cup shelves\***

The cup shelves and the space underneath can be used for small cups and glasses or for larger items of silverware, such as wooden spoons or serving spoons or forks. If you do not require the cup shelf, it can be folded up.



**Adjust the height of the cup shelves as follows:**

1. Position the cup shelf vertically and pull upwards.
2. Push cup shelf at a slight angle downwards to the required height (1, 2, or 3).
3. Engage cup shelf.

Cup shelf “clicks” into position.

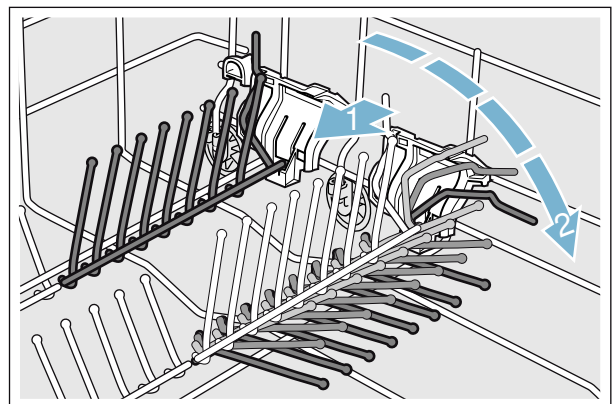
\* optional feature which may or may not be included with your dishwasher

**Flip tines\***

Depending on the features of your dishwasher, the tines can be folded down. This facilitates arrangement of pots, bowls and glasses..

**Fold down the flip tines as follows:**

1. Pull flip tine gently forward and release it from the notch (1).
2. Push the flip tine downward to the desired position (2).



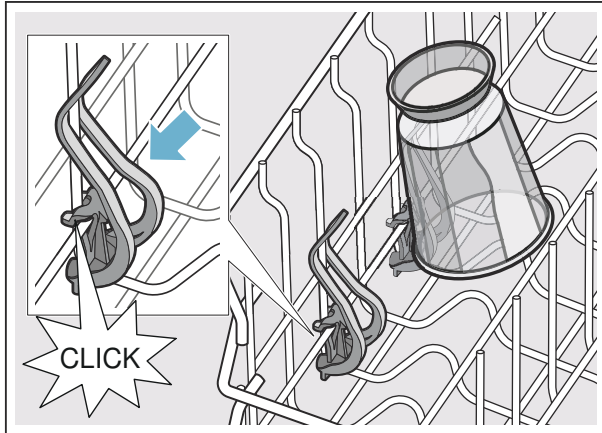
To fold up, push flip tines into an upright position until the holder engages in the notch.

\* optional feature which may or may not be included with your dishwasher

### Plastic item clips\*

Light-weight plastic accessories (cups, lids, etc.) can be held securely by the plastic item clips.

Press the plastic item clip against the rack as shown until it clicks.



\* optional feature which may or may not be included with your dishwasher

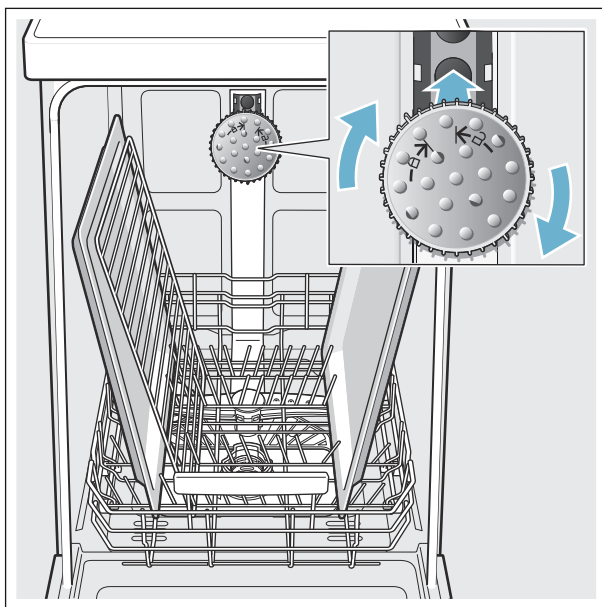
### Extra tall item sprinkler\*

Large trays or grills as well as large plates (gourmet plates, pasta plates, dinner plates) can be cleaned with this spray head.

Insert the spray head as follows:

1. Remove upper rack [22].
2. Insert spray head as illustrated and turn to the right.

Spray head is engaged.



### Notes

- Keep the vent hole on the tub's left side clear by placing tall items such as plastic cutting boards and tall baking sheets on the lower rack's right side or center.
- Ensure that the dishwasher is always operated with upper rack [22] or extra tall item sprinkler.

To ensure that the spray jet can reach all parts, arrange the baking sheets as illustrated (max. 2 baking sheets and 2 grills).

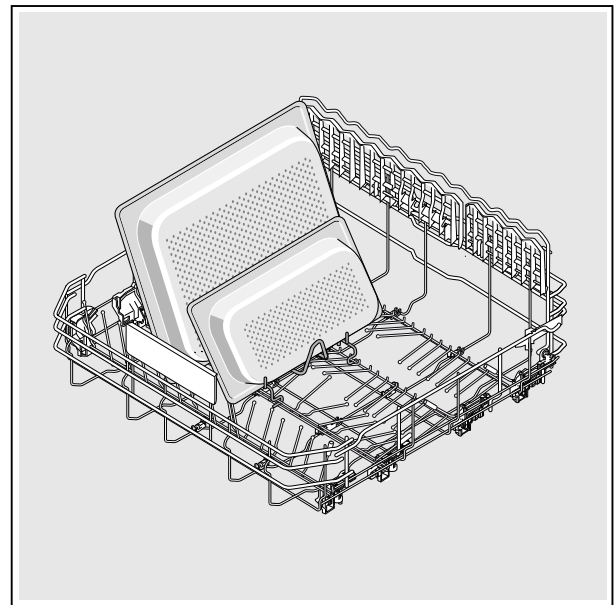
**NOTICE:** To avoid dishwasher damage, do not reinstall the upper rack [22] without removing the extra tall item sprinkler (B).

\* optional feature which may or may not be included with your dishwasher

### Gastronorm insert \*

Helps you stack several Gastronorm drawers, trays or similar large flat utensils at an angle in the lower rack.

You can remove the insert if required.



\* optional feature which may or may not be included with your dishwasher

### Unloading the dishwasher

When unloading the dishwasher, it is recommended to unload the lower rack first. Next, unload the silverware basket followed by the upper rack, and then the third rack.

**Note:** Dishes are more likely to chip when unloading before cooling.

## Adjusting the height of the rack \*

If required, the height of the upper rack [22] can be adjusted to create more space for taller utensils either in the upper or lower rack.

### Appliance height 32 in (81.5 cm)

With third rack	Upper rack	Lower rack
Setting 1 max. ø	8.6 in (22 cm)	12.2 in (31 cm)
Setting 2 max. ø	9.6 in (24.5 cm)	10.8 in (27.5 cm)
Setting 3 max. ø	10.6 in (27 cm)	9.8 in (25 cm)

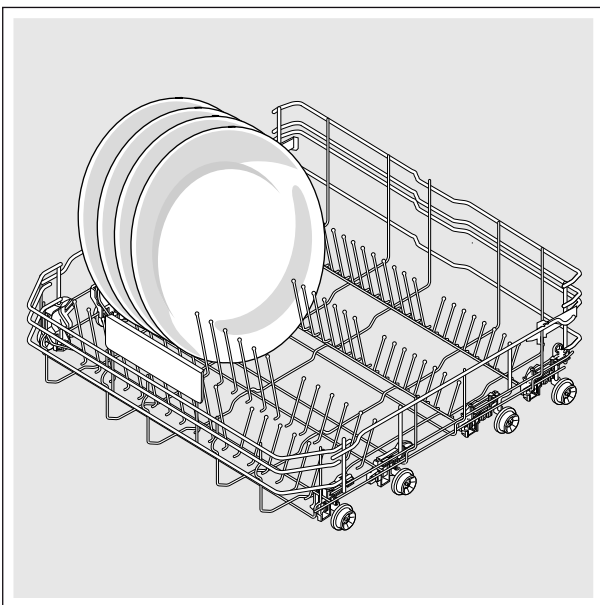
With third rack	Upper rack	Lower rack
Setting 1 max. ø	6.3 in (16 cm)	12.2 in (31 cm)
Setting 2 max. ø	7 in (18.5 cm)	10.8 in (27.5 cm)
Setting 3 max. ø	8.2 in (21 cm)	9.8 in (25 cm)

### Appliance height 35 in (86.5 cm)

With third rack	Upper rack	Lower rack
Setting 1 max. ø	9.4 in (24 cm)	13.4 in (34 cm)
Setting 2 max. ø	10.4 in (26.5 cm)	12 in (30.5 cm)
Setting 3 max. ø	11.4 in (29 cm)	11 in (28 cm)

With third rack	Upper rack	Lower rack
Setting 1 max. ø	7 in (18 cm)	13.4 in (34 cm)
Setting 2 max. ø	8 in (20.5 cm)	12 in (30.5 cm)
Setting 3 max. ø	9 in (23 cm)	11 in (28 cm)

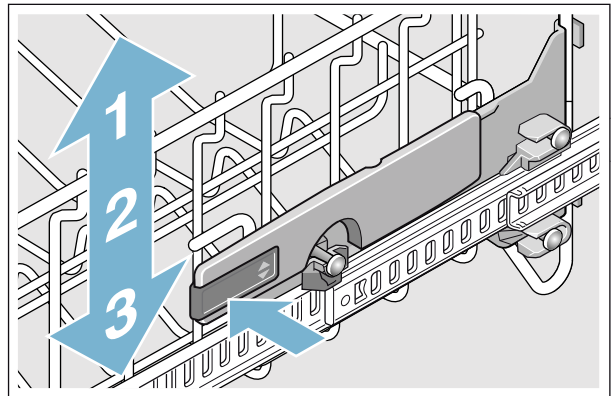
Arrange large plates up to a diameter of 12.2 in/13.4\* in (31/34\* cm) in the lower basket [29] as illustrated.



\* optional feature which may or may not be included with your dishwasher

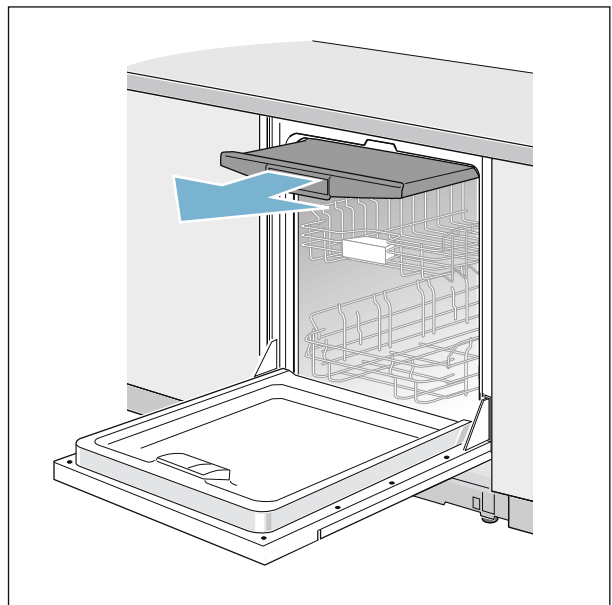
## Upper rack with side levers

1. Pull out upper rack [22].
2. Hold the sides of the rack along the upper edge.  
This prevents it from suddenly dropping.
3. To **lower** the upper rack; press in both levers on the left and right on the outside of the rack. The upper rack lowers.



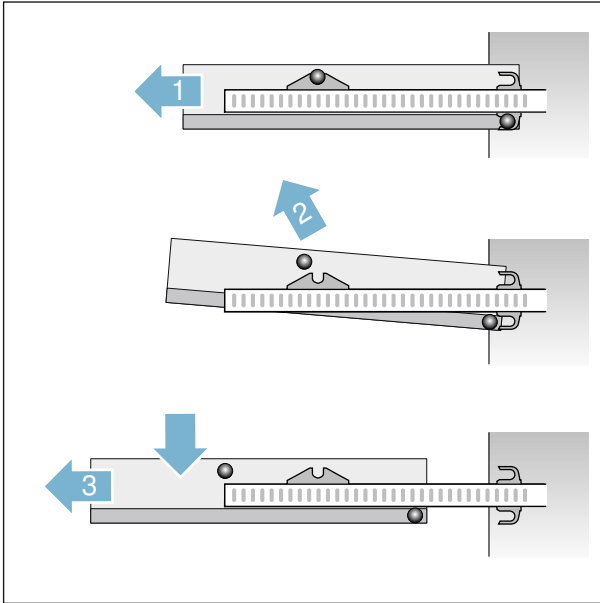
4. To **lift** the upper rack; grip the sides of the upper rack along the upper edge and lift.
5. Ensure that both sides of the upper rack are at the same height.
6. Push in upper rack.

## Removing/Installing third rack



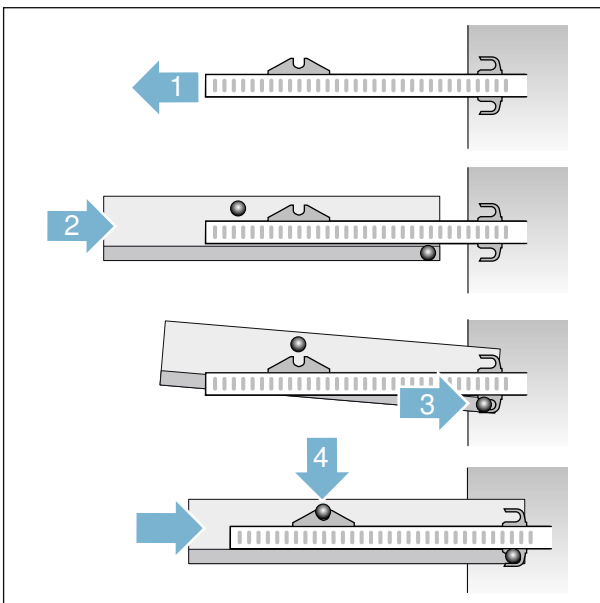
**Removing third rack [21]:**

1. Pull out third rack all the way (1).
2. Lift front of the third rack out of the catch (2).
3. Pull out third rack forwards and lower (3).

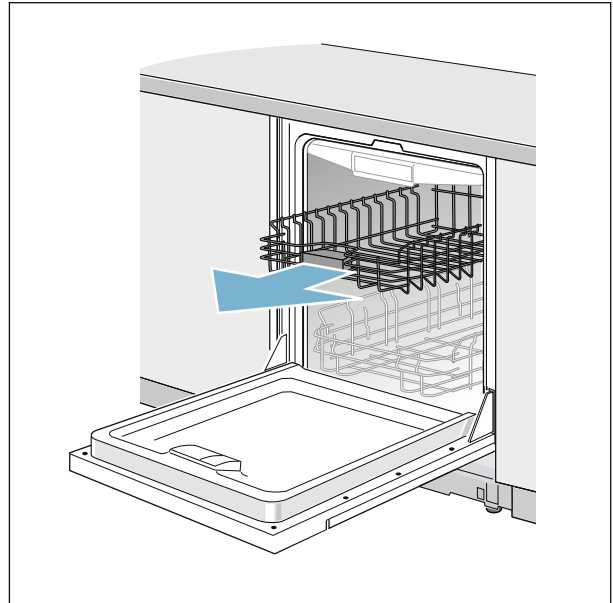


**Installing third rack [21]**

1. Pull out third rack rails all the way (1).
2. Insert third rack (2). In doing so, note the position of the detent pins (as illustrated in Step 2).
3. Lift third rack slightly and insert rear detent pins into the lower locking hooks on the rails (3).
4. Lower third rack and press the front detent pins into the notch (4). Third rack "clicks" into position.
5. Push in third rack.

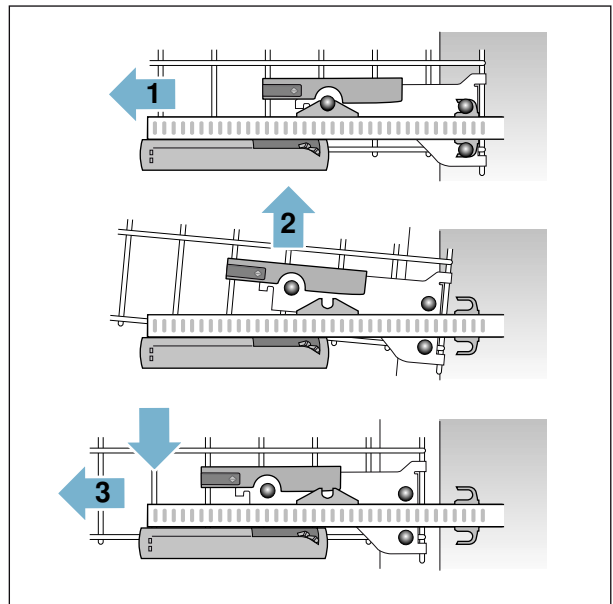


**Removing/Installing upper rack**



**Removing upper rack [22]:**

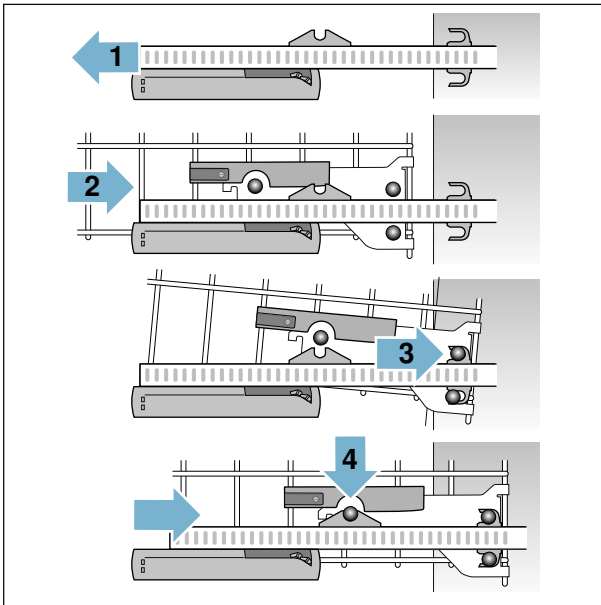
1. Pull out upper rack all the way (1).
2. Lift front of the upper rack out of the catch (2).
3. Pull out upper rack forwards and lower (3).



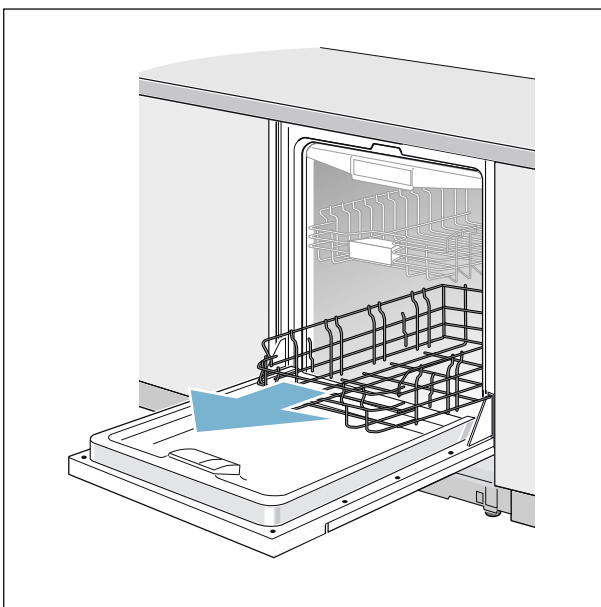


**Installing upper rack [22]:**

1. Pull out upper rack rails all the way (1).
2. Insert upper rack (2). In doing so, note the position of the detent pins (as illustrated in Step 2).
3. Lift upper rack slightly and insert rear detent pins into the locking hooks (3).
4. Lower upper rack and press into the front notch (4). Upper rack "clicks" into position.
5. Push in upper rack.

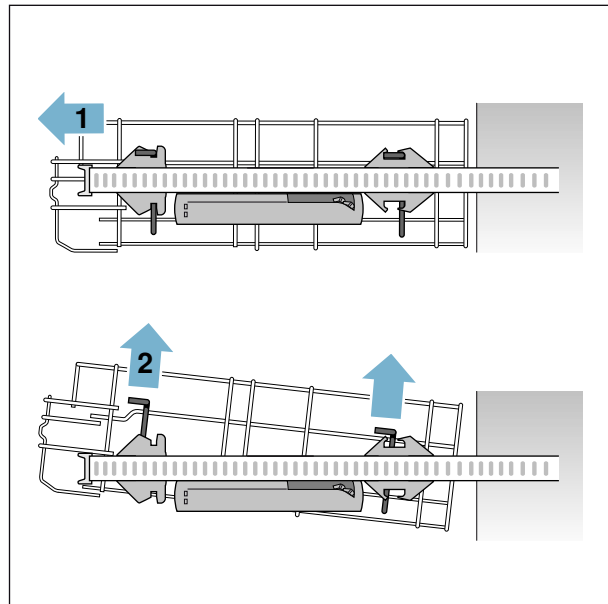


**Removing/Installing lower rack**



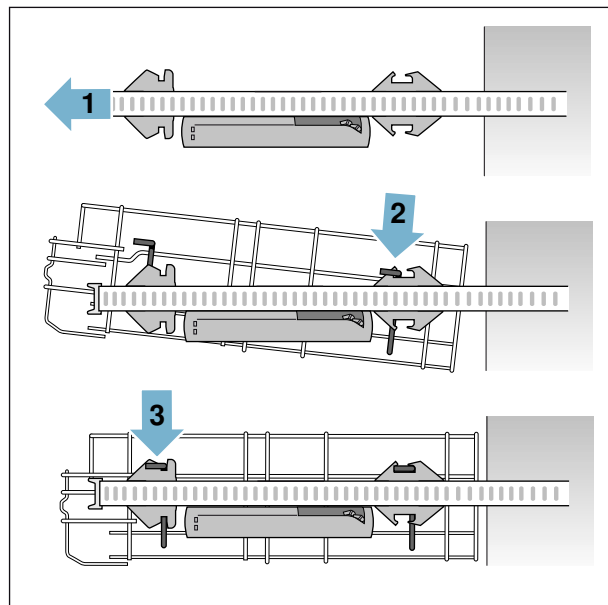
**Removing lower rack [29]:**

1. Pull out lower rack all the way (1).
2. Lift lower rack first out of the front and then out of the rear holders (2).



**Installing lower rack [29]:**

1. Pull out lower rack rails all the way (1).
2. Insert lower rack into the rear holders (2).
3. Lower lower rack at the front and place in the front holders (3).
4. Push in lower rack.



## Detergent

Use only detergent specifically designed for dishwashers. For best results, use fresh powdered dishwashing detergent or detergent tabs.

**NOTICE:** To avoid dishwasher damage:

- Do not use hand dishwashing products in your dishwasher.
- Do not use too much detergent if your water is soft. Using too much detergent with soft water may cause etching in glassware and fine china.

**Note:** If you do not know the hardness of your water supply, use 15 ml of detergent. Increase the amount if necessary to the least amount required to get your kitchenware clean.

## Adding detergent

1. If the detergent dispenser [31] is still closed, actuate locking bar [32] to open it.
2. Pour detergent into the dry detergent dispenser [31] only. Do not overfill the detergent dispenser.

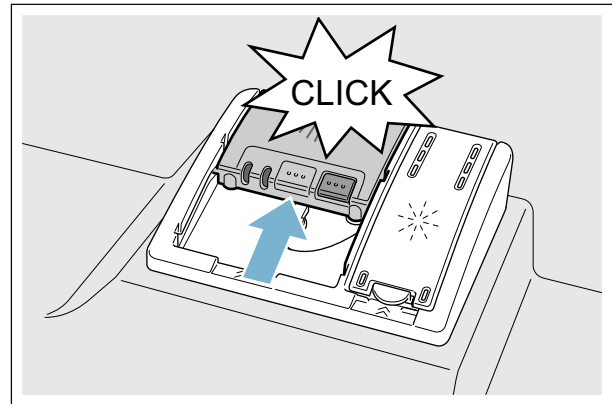
When using detergent tabs, lay them such that they do not come in contact with the cover, insert a detergent tab flat, not on its side.

**Note:** Do not place detergent tabs in the tab tray [24]. Place tabs or other detergent forms directly in the detergent dispenser [31].

3. Dosage: see manufacturer's instructions on the packaging. Use graduated detergent dispenser.

Usually 1¼ to 1½ tablespoons (20 ml–25 ml) are adequate for normal soiling. If using tablets, one tablet is adequate.

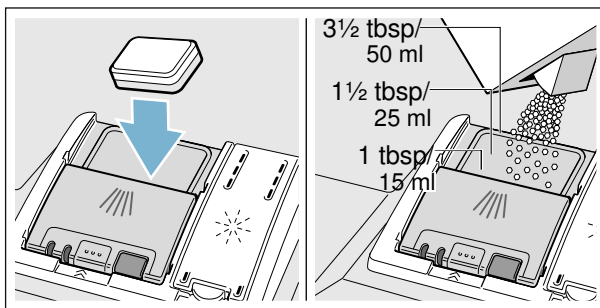
4. Close cover on the detergent dispenser. Cover “clicks” into position.



The detergent dispenser opens automatically at the optimum time depending on the wash cycle. The powder or liquid detergent is distributed in the appliance and is dissolved, the detergent tab falls into the detergent tab tray where it dissolves in doses.

**Tip:** If the utensils are only lightly soiled, slightly less than the indicated amount of detergent is usually adequate.

Suitable detergents and care products can be purchased online via our website or via customer service (see back page).



## Combination detergent

Apart from conventional single function detergents, a number of products are offered with additional functions. These products contain not only the detergent but also rinse aid and salt replacement substances (3in1) and, depending on the combination (4in1, 5in1, ...), additional components such as glass protection or stainless steel cleaner. Combination detergents function only up to a specific degree of hardness (usually 21°dH). Over this limit salt and rinse-aid must be added.






As soon as combined detergents are used, the rinse programme is adjusted automatically to ensure the best possible rinsing and drying result.

### Notes

- If you want to add more utensils after the wash cycle has started, do **not** use the detergent tab tray [24] as a handle for the upper rack. The detergent tab could already be there and you will touch the partially dissolved tab.
- Do **not** place small parts for washing in the detergent tab tray [24]; this prevents the detergent tab from dissolving evenly.
- You will obtain optimum rinsing and drying results by using single function detergents and applying salt and rinse aid separately.
- If wash cycles are short, detergent tabs may not have full cleaning effect due to different dissolving properties and there may even be undissolved detergent residue. It is recommended to use washing powder for these wash cycles.
- The dosing of a detergent tab is adequate for the "Intensive" wash cycle (for some models). When using washing powder, you can apply some of this cleaning agent to the inside of the appliance's door.
- Even if the rinse-aid and/or salt refill indicator is lit, the rinse cycle will run correctly with combined detergents.
- If using detergents in a water-soluble protective cover: Take hold of the cover with dry hands only and put the detergent into an absolutely dry detergent dispenser only, otherwise the detergent may stick.
- If you switch from combined detergents to single function detergents, ensure that the water softening system and amount of rinse aid have been set to the correct value.
- Biological/eco detergents: Detergent products identified as "Bio" or "Eco" (to protect the environment) usually use lower quantities of active agents or completely dispense with certain substances. The cleaning effect of such products may occasionally be restricted.

## Dishwasher Cycles

**Note:** In order to save energy, it is recommended to set the **Auto Power Off** feature to “After one minute”.

Wash cycle	Recommended use	Possible wash cycle option
<b>AUTO</b> 150 - 160° F	This cycle cleans items having baked-on or hard dried-on food soils. These items may require soaking or hand scouring.	all
<b>AUTO Wash</b> 130 - 150° F	This cycle is appropriate for mixed loads. It is optimised according to the soiling with the aid of sensors.	all
<b>AUTO Delicate</b> 113 - 122° F	This cycle is appropriate for delicate dishwasher items. It is optimised according to the soiling with the aid of sensors.	all
<b>Regular</b>  (see note at bottom of table)	Recommended for daily, regular or typical use to completely wash a full load of normally soiled dishes.	all <b>Note:</b> In order to obtain optimal performance with minimum energy consumption, it is recommended to disable all available options and settings, except <b>Auto Power Off</b>
<b>1-Hour Wash</b> 	Cleans freshly soiled dishes with easy to remove soils. This cycle reduces cycle time while still including drying.	<b>Extra Dry</b>
<b>Quick Wash</b> 	Cleans lightly soiled dishes with easy to remove food soils.	<b>Extra Dry</b>
<b>Glass Care</b> 	A cycle for lightly soiled dishes which is ideal for temperature sensitive dishes or silverware. In this cycle the temperature is reduced to help prevent dishes from becoming damaged. It is especially helpful to reduce a cloudy or etched appearance on glasses. <b>Note:</b> Some glasses are more prone to etching due to the glass manufacturing process.	all
<b>Rinse</b> 	Use this cycle if you need to pre-rinse dishes to avoid odors. Place unrinsed dishes inside the dishwasher and select the <b>Rinse</b> cycle. Uses less water than hand rinsing and very low energy.	

**Note:** The Energy Guide label was based on the **Normal** or **Regular** soil sensing cycle as follows: The unit was tested without any rinse aid (liquid) in the rinse aid dispenser [30]. A single dose of detergent was inserted into the detergent dispenser [31], with no detergent being used in the prewash. The unit was not subjected to truncated testing per the definitions in the test procedure. We recommend that dish loads such as the one in the energy certification test have the rack position set in the highest position.

## Dishwasher Cycle Options

### Intensive Zone

Perfect for a mixed load. You can wash very soiled pots and pans in the lower rack together with normally soiled utensils in the upper rack. The spray pressure in the lower rack is intensified, the rinsing temperature is increased slightly.

### Power >>

The cycle time is reduced significantly in the Power option. The energy consumption is increased by up to 30% due to more intensive heating.

## Wash Cycle Information

To save energy, this dishwasher has EcoSense where the sensors in the dishwasher automatically adjust the cycle length, temperature and water changes based on the amount of food soil and the incoming water temperature. The "Smart Control" makes decisions that can cause the cycle time and water usage to adjust intermittently. **Wash cycle times are based on 120°F**

	<b>AUTO Delicate 113-122°F</b>	<b>AUTO Wash 133-150°F</b>	<b>AUTO* 150-160°F</b>	<b>Regular</b>	<b>1-Hour Wash</b>	<b>Quick Wash</b>	<b>Glass Care</b>	<b>Rinse</b>
Cycle time in min.	80 - 85	105 - 129	110 - 135	130 - 135	60	30	70	9
Water cons. in L (gal)	9.3-14.5 (2.5-3.8)	13.1-24.5 (3.5-6.5)	18.6-24.2 (4.9-6.4)	8.3-20.6 (2.2-5.4)	14.3 (3.8)	10.5 (2.8)	13 (3.4)	4.1 (1.1)
Wash temp. in °F (°C)	113-122 (45-50)	127-150 (53-66)	150-160 (66-71)	113-131 (45-55)	122 (50)	113 (45)	122 (50)	incoming
Rinse temp. in °F (°C)	144 (62)	158 (70)	162 (72)	144-156 (62-69)	158 (70)	122 (50)	140 (60)	incoming
<b>Intensive Zone</b>								
Cycle time in min.	95-105	120-145	125-145	145-150	N/A	N/A	85	N/A
Water cons. in L (gal)	9.3-14.5 (2.5-3.8)	13.1-24.5 (3.5-6.5)	18.6-24.2 (4.9-6.4)	8.3-20.6 (2.2-5.4)	N/A	N/A	13 (3.4)	N/A
Rinse temp. in °F (°C)	144 (62)	158 (70)	162 (72)	144-156 (62-69)	N/A	N/A	140 (60)	N/A
<b>Power</b>								
Cycle time in min.	60-70	75-90	95-110	95-105	N/A	N/A	60	N/A
Water cons. in L (gal)	9.2-12.5 (2.4-3.3)	16.1-20.0 (4.3-5.3)	16.3-20.5 (4.3-5.5)	16.6-21.1 (4.4-5.6)	N/A	N/A	13.3 (3.5)	N/A
Rinse temp. in °F (°C)	145 (63)	162 (72)	162 (72)	156 (69)	N/A	N/A	140 (60)	N/A

\*sanitize

### Half Load

If you have only a few items to wash (e.g. glasses, cups, plates), you can switch to "half load". This will save water, energy and time. It is recommended to put a little less detergent in the detergent dispenser than for a full load.

### Extra Dry

An increased temperature during the final rinse and an extended drying phase ensure that even plastic parts dry better. There is a slight increase in the energy consumption.

**(49° C) water supply.** If your household water supply is different than 120°F (49° C), your dishwasher's cycle times may be impacted.

**en-us** Dishwasher Cycle Options

	<b>AUTO Delicate 113-122 °F</b>	<b>AUTO Wash 133-150 °F</b>	<b>AUTO* 150-160 °F</b>	<b>Regular</b>	<b>1-Hour Wash</b>	<b>Quick Wash</b>	<b>Glass Care</b>	<b>Rinse</b>
<b>Half Load</b>								
Cycle time in min.	75-80	75-90	115	110-120	N/A	N/A	65	N/A
Water cons. in L (gal)	9.3-12.5 (2.5-3.3)	10.2-16.5 (2.7-4.4)	17.9 (4.8)	10.9-14 (2.9-3.7)	N/A	N/A	12 (3.2)	N/A
Rinse temp. in °F (°C)	144 (62)	158 (70)	162 (72)	156 (69)	N/A	N/A	140 (60)	N/A
<b>Extra Dry</b>								
Cycle time in min.	115-125	125-150	130-150	140-155	80	50	100	N/A
Water cons. in L (gal)	9.3-14.5 (2.5-3.8)	13.1-24.5 (3.5-6.5)	18.6-24.2 (4.9-6.4)	8.3-20.6 (2.2-5.4)	14.3 (3.8)	10.5 (2.8)	13 (3.4)	N/A
Rinse temp. in °F (°C)	162 (72)	162 (72)	162 (72)	162 (72)	162 (72)	162 (72)	162 (72)	N/A
*sanitize								

**Note:** Only sanitizing cycles have been designed to meet the requirements of Section 6 of the NSF/ANSI Standard for Residential Equipment for soil removal and sanitization efficacy. There is no intention, either directly or indirectly, to imply that all cycles have passed sanitization performance tests.

## Operating the Dishwasher

**Note:** With hidden controls, the door must be opened before changing settings and closed after changing settings.

### **WARNING**

#### **Risk of injury!**

To avoid risk of injury, always use caution when opening the door during or following a wash cycle as hot water or steam may escape. Do not fully open the door until water noises have stopped and steam has subsided.

## Protection against unintentional operation

Your dishwasher is equipped with a function that helps to prevent unintentional operation, for example by children.

After setting the dishwasher the appliance door has to be closed within 4 seconds, otherwise the operation will be paused. There will be a signal on the control panel advising you to press the Start button again and close the door.

This function will be activated when:

- pressing Start to begin a wash cycle
- setting Delay time and pressing Start
- opening the door while Delay time is active
- opening the door during a wash cycle.

**Note:** This function cannot be deactivated.

## Operating the touch buttons

Buttons are sensitive and should be touched gently. Avoid any grease or food particles resting on the buttons as they could activate the dishwasher.

Wiping and cleaning can also activate the dishwasher. For best results, use bare, clean hands when touching the buttons.

To clean the touch buttons wipe them with a dry or slightly damp cloth.

## Opening the door

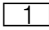
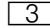
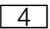
To open the door, press the upper middle part of the door. The appliance opens automatically.

If you have activated the child-proof lock, press twice in quick succession at the upper middle part of the door.

## Changing the settings


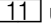
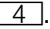
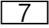

The dishwasher has been preset with certain settings for your convenience. You can change these factory settings.

### **Change the setting as follows:**

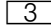
1. Open the door.
2. Switch on ON/OFF button .
3. Press Info button  for 3 seconds until the following text is indicated in the digital display :
 

**Scroll with** < >

**Set with** - +

**Leave with**  3 sec.
4. Keep pressing button >  until the required setting is indicated in the digital display .
5. Make the selection with setting buttons + - .
6. Press and hold the Info button  for 3 seconds.

The chosen setting has now been stored.

**Tip:** If you change several settings, first make all changes in succession. Now press the Info button  for 3 seconds. This saves all set values in the appliance.

## AquaSensor \*

The AquaSensor is an optical measuring device (light barrier) which measures the turbidity of the rinsing water.

The AquaSensor is used according to the wash cycle. If the AquaSensor is active, "clean" rinsing water can be transferred to the next rinse bath and water consumption can be reduced by 3–6 litres. If the turbidity is greater, the water is drained and is replaced with fresh water. In the automatic wash cycles the temperature and running time can also be adjusted to the degree of soiling.

\* optional feature which may or may not be included with your dishwasher

## Time display

The wash cycle time is determined during the wash cycle by the water temperature, the amount of dishes, as well as the degree of soiling and may vary (depending on the selected wash cycle). You can change the time display into time of day or hours/minutes so that the remaining cycle time of the wash cycle appears in the display window "Ready at" (for example 15:20 o'clock) or "Ready in" (for example 3:25 hours).

## Sensor setting

The wash cycle sequence is optimised in Auto wash cycles with the aid of sensors. The sensors adjust the wash cycle strength of Auto wash cycles depending on the amount and type of soiling. You can adjust the sensitivity of the sensors in 3 stages.

**Standard:** This setting is ideal for a mixed load and heavily soiled utensils, but also saves energy and water.

**Sensitive:** This setting adjusts the wash cycle strength for the effective removal of food remnants, even if the amount of soiling is low. The energy and water consumption is adjusted accordingly.

**Very sensitive:** This setting adjusts the wash cycle strength for difficult conditions of use, for example firmly dried on food remnants. This setting is recommended if using biological or eco detergents which contain lower amounts of active agents. The energy and water consumption is adjusted accordingly.

## extraDry

The final rinse uses a higher temperature which improves the drying result. The cycle time may increase slightly. (Caution if utensils are delicate!) You can switch the extraDry function on or off.

## Eco forecast

When Eco forecast is activated, the average water and energy consumption of the selected wash cycle is briefly displayed in the digital display 4.

## AutoPowerOff

### (Switching off automatically after the end of the wash cycle)

To save energy, the dishwasher is switched off 1 minute after the wash cycle ends. You can also change this setting.

Possible settings are:

- **off:** The appliance does not switch off automatically.
- **After one minute:** The appliance switches off after 1 minute.
- **After two hours:** The appliance switches off after 2 hours.

## EmotionLight \*

The EmotionLight 20 is on when the door is open irrespective of whether the ON/OFF switch 1 is switched on or off. When the door is closed, the EmotionLight is off. You can switch the EmotionLight on or off.

**Note:** Note that when the door is open the EmotionLight is automatically switched off after 1 hour.

\* optional feature which may or may not be included with your dishwasher

## Remaining time projection (Optical display while the wash cycle is running) \*

While wash cycle is running, an optical display (additional cycle information) is indicated on the floor under the appliance door. If the base panel is pulled forwards or if the appliance is installed at eye-level with flush furniture front, the display is not visible.

You can switch the optical display on or off.

\* optional feature which may or may not be included with your dishwasher

## Infolight \*

While the wash cycle is running, a light spot shines on the floor under the appliance door. Do not open the appliance door until the light point is no longer visible on the floor. If the appliance door is not completely closed, the light spot flashes \*. If the appliance is installed at eye-level, with flush furniture front, the light point is not visible. You can switch the Infolight on or off.

\* optional feature which may or may not be included with your dishwasher

## Changing start wash cycle

You can change the "Start wash cycle" setting.



## Tone volume

The end of the wash cycle is indicated by a buzzer. You can also change this setting.

## Button volume

When you are operating the dishwasher, a signal sounds whenever a button is pressed. You can control the volume of the signal. If you do not like the button volume, you can switch it off.

## Child-proof lock \*

The dishwasher features an electronic child-proof lock. The child-proof lock protects children from potential hazards which the dishwasher poses.

You can switch the child-proof lock on or off. When the child-proof lock is on, it is difficult to open the door.

\* optional feature which may or may not be included with your dishwasher

## Greeting

When you switch on the dishwasher, the brand logo appears. You can switch off the brand logo.

## Factory setting

You can reset all settings to the factory setting.

## Switching the appliance on

1. Turn on tap fully.
2. Open the door.
3. Switch on ON/OFF switch 1.

The AUTO 130 - 150° F wash cycle has been preset as a default whenever the appliance starts. This wash cycle remains selected if no other wash cycle button 2 is pressed.

4. Press START button 10.
5. Close the door.

Wash cycle sequence starts.

**Note:** Your dishwasher is protected against unintentional operation. If the appliance door remains open for more than 4 seconds after pressing the Start button the operation will be paused. Press the Start button again and close the appliance door.

## Delay start time

You can delay the start of the wash cycle by up to 24 hours. Depending on the setting of the time display, the end of cycle is indicated with "Finish in" (for example 3h 25m) or "Finish at" (for example 15:20 hours).

1. Open the door.
2. Switch on ON/OFF switch 1.
3. Select wash cycle 2.
4. Press Delay start button 8.
5. Keep pressing the setting buttons + - 7 until the displayed time corresponds with your requirements.
6. Press START button 10, timer programming is activated.
7. To delete the delayed start time, press START button 10 for approx. 3 seconds.  
Delayed start time is terminated.
8. Close the door.

**Note:** Your dishwasher is protected against unintentional operation. If the appliance door remains open for more than 4 seconds after pressing the Start button the operation will be paused. Press the Start button again and close the appliance door.

## Wash cycle end

\* The wash cycle has ended when "Finished" is indicated on the digital display 4.

\* The end of the wash cycle is displayed on the floor – provided the optical display is switched on and is visible.

\* optional feature which may or may not be included with your dishwasher

## Switching off the appliance

### Short time after the end of the wash cycle:

1. Open the door.
2. Switch off ON/OFF button 1.
3. Turn off tap.
4. Remove the utensils when they have cooled down.

---

### **WARNING**

#### Risk of injury!

To avoid risk of injury, always use caution when opening the door during or following a wash cycle as hot water or steam may escape. Do not fully open the door until water noises have stopped and steam has subsided.

---

## Interrupting the wash cycle

---

### **CAUTION!**

Expansion (overpressure) may cause the appliance door to jump open and/or water to escape! If the door was opened on an appliance which has a hot water connection or is heated, always leave the door ajar for several minutes and then close.

---

1. Open the door.
2. Switch off ON/OFF switch 1.  
The LEDs go out. The wash cycle is saved.
3. To continue the wash cycle, switch on the ON/OFF switch 1 again.
4. Close the door.

**Note:** Your dishwasher is protected against unintentional operation. If the appliance door remains open for more than 4 seconds after pressing the Start button the operation will be paused. Press the Start button again and close the appliance door.

## Terminating the wash cycle (Reset)

1. Open the door.
2. Press the START button 10 and hold for 3 seconds

The digital display 4 shows: "Program was terminated".

3. Close the door.

The wash cycle sequence lasts approx. 1 min. The digital display 4 shows: "Finished".

4. Open the door.
5. Switch off ON/OFF switch 1.
6. Close the door.

## Sensor setting

The wash cycle sequence is optimised in Auto wash cycles with the aid of sensors. The sensors adjust the wash cycle strength of Auto wash cycles depending on the amount and type of soiling. You can adjust the sensitivity of the sensors in 3 stages.

**Standard:** This setting is ideal for a mixed load and heavily soiled utensils, but also saves energy and water.

**Sensitive:** This setting adjusts the wash cycle strength for the effective removal of food remnants, even if the amount of soiling is low. The energy and water consumption is adjusted accordingly.

**Very sensitive:** This setting adjusts the wash cycle strength for difficult conditions of use, for example firmly dried on food remnants. This setting is recommended if using biological or eco detergents which contain lower amounts of active agents. The energy and water consumption is adjusted accordingly.

---

## Care and Maintenance

---

A regular inspection and maintenance of your machine will help to prevent faults. This saves time and prevents future problems.

### Overall condition of the dishwasher

- Check rinsing compartment for grease and limescale deposits.

#### If you find such deposits:

- Fill detergent dispenser [31] with detergent. Start the appliance without utensils in the wash cycle with the highest rinsing temperature.

---

### **⚠** WARNING

---

**Health hazard due to detergents containing chlorine!**

Always use chlorine-free detergents.

---

### NOTICES:

- Never use a steam cleaner to clean your dishwasher. The manufacturer is not liable for any resulting damage.
- Regularly wipe the front of the appliance with a damp cloth - water and a small amount of liquid soap is adequate. Do not use sponges as they could scratch the surfaces.
- Stainless steel appliances: To prevent corrosion, do not use sponges or chlorine based cleaners. Use a stainless steel polish to seal and protect the surface. Do not use chlorine based cleaners or wipes.
- Clean the outer edges of the inside door panel regularly to remove debris that may collect from normal loading. If spots begin to appear on the stainless steel, make sure the rinse agent is full and functioning properly.
- Clean the door seal regularly with a damp cloth to remove food particles that may collect from normal loading and cause odor. A soiled door seal may not seal properly.

---

### **⚠** WARNING

---

Use caution when removing parts for cleaning as some debris may be sharp.

---

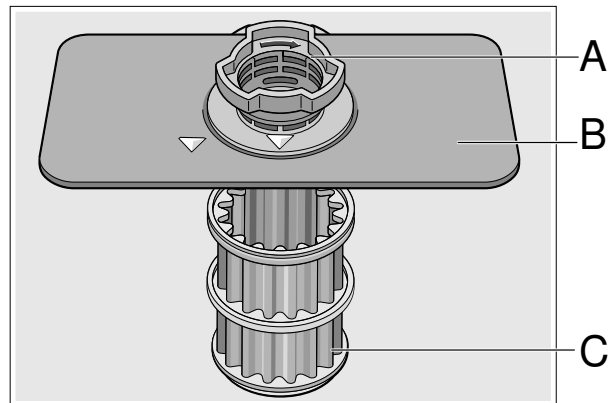
## Special salt and rinse aid

Top off the salt and/or rinse aid as soon as the refill indicators on the fascia [6] and [5] are lit.

## Filters

### Filter components

The filter system consists of three parts.



#### **A** Large Object Trap

Prevents objects that should not be placed in your dishwasher from damaging the dishwasher pump system or clogging your household drain.

#### **B** Flat Fine Filter

Prevents food particles from entering the wash chamber and directs particles toward the micro filter.

#### **C** Micro Filter

Directs the smallest of particles to the household plumbing drain.

### Cleaning intervals

The filter system is designed to minimize maintenance and reduce noise while providing premium cleaning performance and minimum energy consumption.

Depending on use habits and water hardness, the filter system will require some maintenance to sustain premium cleaning performance.

Your filter system may need to be cleaned when:

- You notice food soils remaining on the filter system or objects trapped in the Large Object Trap.
- A drop in cleaning performance or a gritty film forms on the dishware.

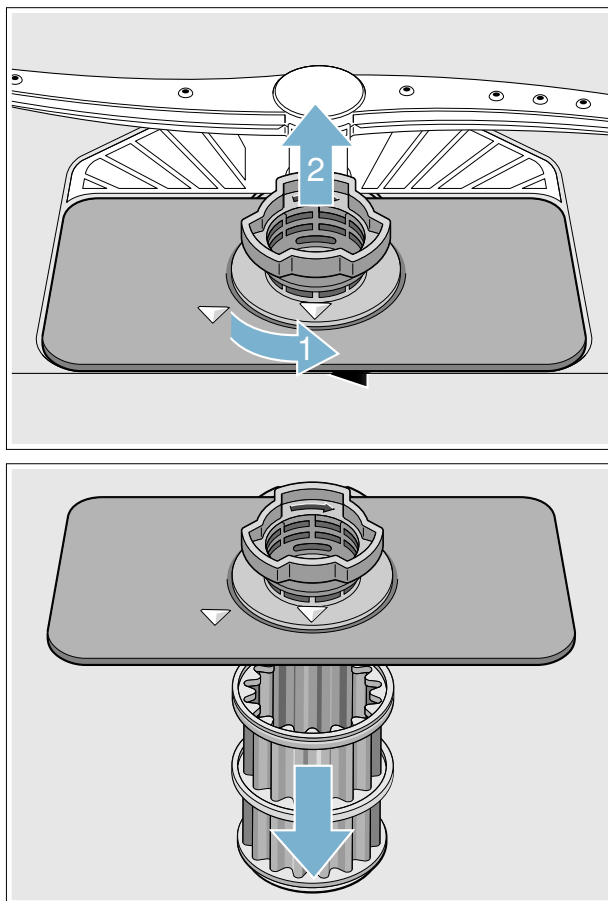
When washing normally attached food soils that have been scraped before loading, in a household that runs the dishwasher every other day, your filter should be cleaned:

Cleaning interval	Use this setting,
3 times a year	if you rinse before loading
4 times a year	if you only scrape before loading
6 times a year	if you do not rinse or scrape before loading
12 times a year	if you have hard water

**Note:** Clean the filter after washing loads with large amounts of food soils or loads with a heavy starch content to maintain optimal performance.

**To check or clean the filter system:**

1. After each wash cycle check the filters for residue.
2. Unscrew the Large Object Trap as illustrated and remove the entire filter system.



3. Remove any residue and clean filters by rinsing under running water.

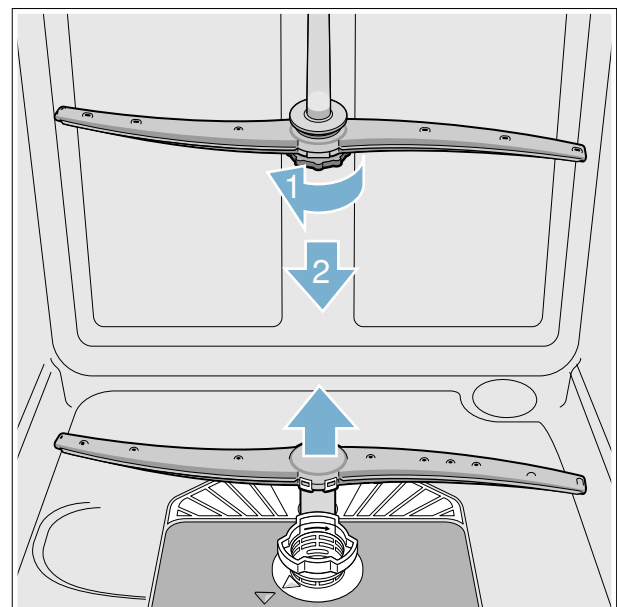
**Note:** do not use abrasive brushes or steel wool, etc., as they may damage the filter.

4. Reinstall the filter system in reverse sequence and lock into place by screwing the Large Object Trap until the marking arrows align.

**Spray arms**

Limescale and contaminants in the rinsing water may block nozzles and bearings on the spray arms [23] and [25].

1. Check outlet nozzles on the spray arms for blockages.
2. Unscrew the upper spray arm [23] (1) and remove downwards (2).
3. Remove the lower spray arm [25] upwards.



4. Clean spray arms under running water.
5. Re-engage or screw on spray arms.

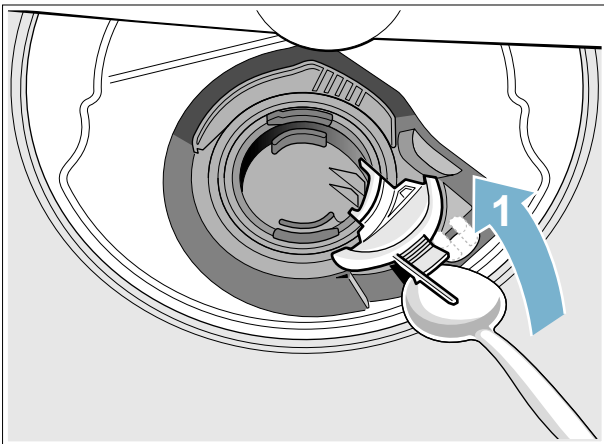
## Drain pump

Large food remnants in the rinsing water not retained by the filters may block the waste water pump. In this case:

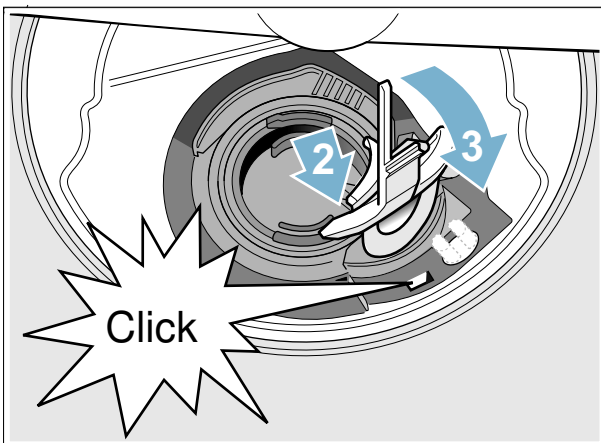
### **⚠ WARNING**

Use caution when removing parts for cleaning as some debris may be sharp.

1. Disconnect the appliance from the power supply.
2. Take out upper rack [22] and lower rack [29].
3. Remove the filters [27].
4. Scoop out standing water - use a sponge if necessary.
5. Using a spoon, pry off the pump cover (as shown) until it clicks, then grip the cover and pull upward until it resists and then pull forward (1). Remove cover completely.



6. Check inner compartment and remove any foreign objects.
7. Place pump cover in the original position (2) and press down until it engages (3).



8. Place cover in the original position, press down and engage.
9. Reinstall filters.
10. Re-insert racks.

**Note:** The drain pump will not work properly if drain pump cover is not snapped in completely until it click.

## Preparing your unit for vacation

**NOTICE:** Before leaving for vacation during warmer weather, besides turning off the main valve, also turn off water supply at the nearest point to the dishwasher. During colder weather, please follow the instructions for winterizing your unit below.

## Winterizing your unit

**NOTICE:** If your dishwasher will be unused for a period of time in a location that experiences freezing temperatures (holiday home or through a vacation period), have your dishwasher winterized by a professional service.

## Troubleshooting

Dishwashers may occasionally exhibit problems that are unrelated to a malfunction of the dishwasher itself. The following information may help you with a dishwasher problem without involving a repair professional.

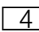
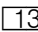
**Note:** If the appliance stops during dishwashing or does not start for any obvious reason, first run the cancel wash cycle function (Reset) .

### WARNING

**Improper repairs or use of non-original replacement parts may cause considerable damage and put the user at considerable risk!**

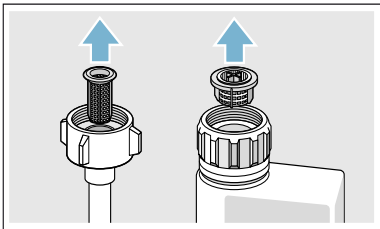
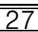
Always have repairs carried out by authorized technicians. If a component has to be replaced, always use original replacement parts.

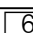
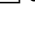
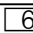

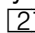
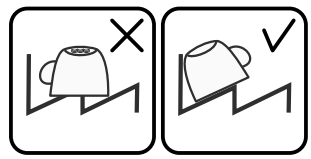
### Error message

Some faults are indicated at the top of the display window  and on the front display \*  and possible remedies are offered (for example Filter system soiled (E22) -->Clean filters).

\* optional feature which may or may not be included with your dishwasher

### Fault table

Fault	Cause	Remedial action
Error code <b>E:18</b> is lit.	Supply hose kinked.	Install supply hose without kinks.
	Tap turned off.	Turn on the tap.
	Tap jammed or calcified.	Turn on the tap. Flow rate must be min. 10 l/min. when water supply is open.
	Filter in the water supply blocked.	Switch off the appliance and pull out the mains plug. Turn off the tap. Unscrew water connection.
		
		Clean filter in the supply hose. Screw water connection on again. Check for leaks. Reconnect power supply. Switch on the appliance.
Error code <b>E:07</b> is lit.	Intake opening (on right inside of appliance) covered by dishes.	Arrange dishes so that the intake opening is not obstructed.
Error code <b>E:12</b> is lit.	Heating element calcified or soiled.	Clean appliance with dishwasher cleaning agent or descaler. Operate the dishwasher with water softening system and check the setting.
Error code <b>E:22</b> is lit.	Filters  are soiled or blocked.	Clean filters.

<b>Fault</b>	<b>Cause</b>	<b>Remedial action</b>
Error code <b>E:24</b> is lit.	Waste-water hose kinked or blocked.	Install hose without kinks, remove any residue.
	Siphon connection still sealed.	Check connection to siphon and open if required.
	Cover on the drain pump loose.	Lock cover correctly.
Error code <b>E:25</b> is lit.	Drain pump blocked or cover on the drain pump is not locked in position.	Clean pump and lock cover correctly.
Error code <b>E:27</b> is lit.	Mains voltage too low.	Not an appliance fault, have the mains voltage and electrical installation checked.
A different error code is indicated on the digital display. ( <b>E:01</b> to <b>E:30</b> )	A technical fault has probably occurred.	Switch off appliances with the ON/OFF switch  . After a short time restart the appliance. If the problem recurs, turn off the tap and pull out the mains plug. Call customer service and mention the error code.
Refill indicator for salt  and/or rinse-aid  is lit.	No rinse aid.	Refill rinse aid.
	No salt.	Refill with special salt.
	Sensor does not detect salt tablets.	Use different special salt.
Refill indicator for salt  and/or rinse-aid  is not lit.	Refill indicator switched off.	Activation/deactivation → "Rinse Aid", → "Water softening system / special salt"
	There is still enough special salt/ rinse aid available.	Check refill indicator, levels.
Water is left in the appliance at the end of the wash cycle.	Filter system or area under the filters  is blocked.	Clean filters and area underneath.
	Wash cycle has not ended yet.	Wait until wash cycle ends or reset.
Dishes not dry.	No or too little rinse aid in the dispenser.	Refill rinse aid.
	Wash cycle selected without drying.	Select wash cycle with drying.
	Water collecting in depressions on the dishes and silverware.	Arrange dishes in a sloping position, arrange affected dishes as sloping as possible.
		
	The combined detergent used has a poor drying performance	Use different combination detergent with better drying performance. Use of rinse aid also increases the drying performance.
	extraDry to increase drying not activated.	Activate extraDry.
	Dishes were removed too early or drying process had not ended yet.	Wait until wash cycle ends or wait until 30 min after wash cycle ends before removing dishes.
	The eco rinse aid used has a limited drying performance.	Use a proprietary rinse aid. Eco products may have limited effectiveness.
Plastic dishes not dry.	Special properties of plastic.	Plastic has a lower heat storage capacity and therefore dries less well.

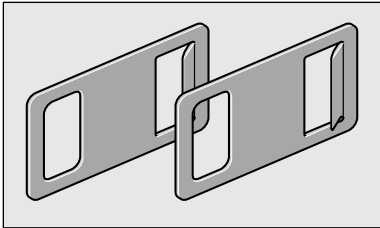
Fault	Cause	Remedial action
Silverware not dry.	Silverware not arranged properly in the silverware basket.	Separate silverware if possible, prevent contact points.
	Silverware not arranged properly in the third rack.	Arrange silverware properly and separate if possible.
Appliance interior wet after rinse cycle.	No appliance fault.	On account of the "Condensation drying" principle, water droplets are physically induced and required in the container. The humidity in the air condenses on the inner walls of the dishwasher, drains and is pumped out.
Food soils on the dishes.	Dishes placed too closely together, racks overfilled.	Arrange dishes with adequate clearance between them ensuring that the spray jets can reach the surface of the dishes. Prevent contact points.
	Spray arm rotation obstructed.	Arrange dishes so that the spray arm can rotate without obstruction.
	Spray arm nozzles are blocked.	Clean the spray arm nozzles.
	Filters [27] dirty.	Clean filters.
	Filters [27] inserted incorrectly and/or not engaged.	Insert and engage filters correctly.
	Rinse wash cycle too weak.	Select a more intensive rinse cycle. Increase sensitivity of the sensors.
	Dishes precleaned too intensely; sensors therefore decide on weak wash cycle sequence. Stubborn soiling cannot be completely removed.	Do not prerinse dishes. Remove only large food soils. Increase sensitivity of the sensors. Recommended wash cycle "Regular" or Intensive.
	Tall narrow containers in corner areas are not rinsed adequately.	Do not place hollow containers too obliquely and do not place in the corner area.
Dishwasher seems to run a long time	Upper rack [22] on right and left not set to same height.	Set upper rack to same height using side levers.
	Incoming water is not warm enough.	Before starting a cycle, run hot water faucet at the sink closest to the dishwasher.
	Cycle time can vary due to soil and water conditions.	Sensors in the dishwasher automatically increase the cycle time to ensure a good wash when heavy soil is detected.
	Rinse aid dispenser [30] is empty.	Add rinse aid.
	Dishwasher connected to cold water supply.	Verify dishwasher is connected to hot water supply plumbing.
	<b>Note:</b> Check the typical wash cycle length.	



<b>Fault</b>	<b>Cause</b>	<b>Remedial action</b>
Detergent residue.	Detergent dispenser cover [31] blocked by dishes and therefore does not open fully.	Dishes must not be placed above the detergent tab tray [24]. These may block the lid of the detergent dispenser and prevent it from opening fully. Do not place dishes or fragrance dispenser in the detergent tab tray.
	Detergent dispenser cover [31] blocked by the detergent tab.	Detergent tab must be inserted flat and not upright.
	Detergent tab used in the quick or short wash cycle. Dissolving time of the detergent is not reached in the selected short wash cycle.	Dissolving time of detergent tab too long for a quick or short wash cycle. Use a detergent powder or select a more intensive wash cycle.
	Washing effect and dissolving performance are reduced after a prolonged storage time or detergent is very lumpy.	Change detergent.
Water stains on plastic parts.	Droplet formation on plastic surface is physically unavoidable. After drying, water stains are visible.	Use a more intensive wash cycle (more water changes). Arrange dishes in a sloping position. Use rinse aid. If required, increase softening setting.
Washable or water-soluble coatings in the container or on the door.	Detergent substances are deposited. These coatings cannot usually be removed with chemicals (appliance cleaner, ...).	Change detergent brand. Clean appliance mechanically.
	If there is a "white coating" on the container floor, the water softening system has been set very low.	Increase softening setting and change detergent if required.
	Salt dispenser cover [26] not closed.	Close salt dispenser cover correctly.
	Only for glasses: Initial glass corrosion – can only apparently be wiped off.	See "Glass and silverware damage".
White, stubborn coatings; limescale on the dishes, container or door.	Detergent substances are deposited. These coatings cannot usually be removed with chemicals (appliance cleaner, ...).	Change detergent brand. Clean appliance mechanically.
	Hardness range incorrectly set or water hardness greater than 8.9 mmol/l.	Set water softening system according to instructions for use or top up salt.
	3 in 1 detergent or bio/eco detergent not effective enough.	Set water softening system according to instructions for use or use separate detergents (proprietary detergent, salt, rinse aid).
	Underdosing of detergent.	Increase detergent dosage or change detergent.
	Too weak rinse cycle selected.	Select a more intensive rinse cycle.

<b>Fault</b>	<b>Cause</b>	<b>Remedial action</b>
Tea or lipstick residue on the dishes.	Too low rinsing temperature.	Select wash cycle with higher washing temperature.
	Too little or unsuitable detergent.	Use suitable detergent at correct dosage.
	Dishes precleaned too intensely; sensors therefore decide on weak wash cycle sequence. Stubborn soiling cannot be completely removed.	Do not prerinse dishes. Remove only large food soils. Increase sensitivity of the sensors. Recommended wash cycle "Regular"
Colored (blue, yellow, brown), difficult to remove to non-removable coatings in the appliance or on stainless steel dishes.	Film formation consisting of ingredients from vegetables (e.g. cabbage, celery, potatoes, noodles, ...) or the tap water (e.g. manganese).	Can be partly removed with machine cleaner or by mechanical cleaning. Coatings are harmless.
	Film formation caused by metallic components on silver or aluminum silverware.	Can be partly removed with machine cleaner or by mechanical cleaning.
Colored (yellow, orange, brown), easily removable deposits inside the appliance (mainly in the floor area)	Film formation consisting of ingredients from food soils and substances from the tap water (limescale), "soapy"	Check function of the water softening system (refill with salt) or, if using combined detergents (tablets), activate water softening system.
Discoloration of the plastic parts inside the appliance.	Plastic parts inside the appliance may become discolored during the service life of the dishwasher.	Discoloration is normal and will not impair the function of the dishwasher.
Plastic parts discolored.	Too low rinsing temperature.	Select wash cycle with higher washing temperature.
	Dishes precleaned too intensely; sensors therefore decide on weak wash cycle sequence. Stubborn soiling cannot be completely removed.	Do not prerinse dishes. Remove only large food soils. Increase sensitivity of the sensors. Recommended wash cycle "Regular"
Removable streaks on glasses, glasses with metallic appearance and silverware.	Too much rinse aid.	Set rinse aid amount to lower setting.
	No rinse aid added or setting too low.	Add rinse aid and check dosage (recommended setting 4–5).
	Detergent residue in the final rinse wash cycle section. Detergent dispenser cover blocked by dishes (cover does not open fully).	Detergent dispenser cover must not be obstructed by dishes. Do not place dishes or fragrance dispenser in the detergent tab tray.
	Dishes precleaned too intensely; sensors therefore decide on weak wash cycle sequence. Stubborn soiling cannot be completely removed.	Do not prerinse dishes. Remove only large food soils. Increase sensitivity of the sensors. Recommended wash cycle "Regular"
Initial or existing, irreversible clouding of glass.	Glasses not dishwasher-proof, only suitable for dishwasher.	Use dishwasher-proof glasses. Avoid long steam phase (standing time after wash cycle ends). Use wash cycle at lower temperature. Set water softening system according to the water hardness (if required one setting lower). Use detergent with glass protection component.

<b>Fault</b>	<b>Cause</b>	<b>Remedial action</b>
Rust spots on the silverware.	Silverware not adequately rust-resistant. Knife blades are frequently more severely affected.	Use corrosion-resistant silverware.
	Silverware will also rust if rusting parts are rinsed at the same time (pan handles, damaged utensil baskets, etc.).	Do not wash rusting parts.
	Salt content in the rinsing water too high, as salt dispenser lock not fastened firmly or salt was spilled while being refilled.	Fasten salt dispenser lock firmly or remove spilled salt.
Appliance cannot be switched on or operated.	Malfunction.	Disconnect appliance from the power supply; pull out the mains plug or switch off the fuse. Wait at least 5 seconds, then connect the appliance to the power supply.
Appliance does not start.	Mains fuse may have been blown or circuit breaker tripped.	Check mains fuse or circuit breaker.
	Door may not be properly latched.	Press the main power switch to turn unit on.
	Unit may not be turned on.	Shut door completely.
	Delay start may be engaged.	To reset, refer to "Delay start" section in this manual.
	Child lock is activated.	Deactivate the child lock. Refer to "Child Lock" section in this manual if applicable.
	The door may have been closed without first selecting a cycle.	Select a cycle and close the door.
	Power cord not inserted.	Ensure that the power cord is plugged all the way into the back of the appliance and into the socket. Check that the socket functions.
	The water supply may not be connected.	Check and turn on water supply.
	The appliance door has not been shut properly.	Close the door.
Wash cycle starts automatically.	The door has been open for more than 4 seconds after pressing the START button.	Press the START button again and close the appliance door within 4 seconds (see "Protection against unintentional operation").
	You did not wait until wash cycle ended.	Perform reset. (see "Canceling the wash cycle").

Fault	Cause	Remedial action
Door does not open.	Door is not set correctly.	Set the door correctly with the aid of the installation instructions.
	Child lock is activated.	Press twice in quick succession at the top of the door in the middle.
	Appliance is disconnected from the mains.	Check mains plug and fuses. Attach supplied emergency release to upper right and left of the furniture panel and open the door by gently pulling the emergency release.
		
Door does not close.	Door and door seal dirty.	Clean door and door seal with a damp cloth and a little washing-up liquid.
	Automatic door opening system not in home position.	After closing the door, wait one second until it can be opened again.
	Automatic door opening system not in home position.	After opening the door, wait one second until it can be closed again.
Cover on the detergent dispenser cannot be closed.	Detergent dispenser or cover guide blocked by sticky detergent residue.	Remove detergent residue.
Detergent residue in the detergent dispenser [31] or in the detergent tab tray [24].	Spray arms blocked by dishes, therefore detergent is not rinsed out.	Ensure that the spray arms can rotate freely.
	The detergent dispenser was damp when filled.	Pour detergent into the dry detergent dispenser only.
Appliance stops in the wash cycle or wash cycle is interrupted.	Door not closed properly.	Close the door.
	Do not place dishes or fragrance dispenser in the detergent tab tray. Upper rack presses against the door and prevents door from being closed securely.	Check whether rear panel is being pressed in, e.g. by socket or by hose holder which has not been removed.
	Power and/or water supply interrupted.	Restore power and/or water supply.
Filling valves making striking noises.	Depends on domestic installation, as appliance is not defective. No effect on appliance function.	No remedial action possible.
Knocking or rattling noise.	Spray arm strikes the dishes, dishes not positioned correctly.	Position dishes so that the spray arms do not strike the dishes.
	If there is a low load, the water jets strike the washing tank directly.	Load the appliance with more dishes or distribute the dishes more evenly in the dishwasher.
	Light dishes move during the wash cycle.	Arrange light dishes securely.
Unusual foam formation.	Handwash liquid in the rinse aid dispenser.	Immediately refill rinse aid dispenser with rinse aid.
	Rinse aid spilled.	Remove rinse aid with a cloth.

---

## Customer Service

---

Your dishwasher requires no special care other than that described in the Care and Maintenance section of this manual. If you are having a problem with your dishwasher, before calling for service please refer to the Troubleshooting Guide section of the manual. If service is necessary, contact your dealer or installer or an authorized service center. Do not attempt to repair the appliance yourself. Any work performed by unauthorized personnel may void the warranty.

If you are having a problem with your dishwasher and are not pleased with the service you have received, please take the following steps until the problem is corrected to your satisfaction:

1. Contact your installer or the Gaggenau® authorized service provider in your area.
2. E-mail us from the customer service section of our website, [www.gaggenau-usa.com](http://www.gaggenau-usa.com)
3. Call us at **877-442-4436**
4. Write us:

Gaggenau®  
1901 Main Street, Suite 600  
Irvine, CA 92614  
USA

Please be sure to include your model information as well as an explanation of the problem and the date it started. You will find the model and serial number information on the label located on the edge of the dishwasher door. Please make a copy of your invoice and keep it with this manual. The customer may be required to show proof of purchase to validate warranty coverage.

---

## Statement of Limited Product Warranty

---

### What this Warranty Covers & Who it Applies to:

The limited warranty provided by BSH Home Appliances (Gaggenau®) in this Statement of Limited Product Warranty applies only to the Gaggenau appliance ("Product") sold to you, the first using purchaser, provided that the Product was purchased:

- for your normal, household (non-commercial) use, and has in fact at all times only been used for normal household purposes;
- new at retail (not a display, "as is", or previously returned model), and not for resale, or commercial use; and
- within the United States or Canada, and has at all times remained within the country of original purchase. The warranties stated herein apply only to the first purchaser of the Product and are not transferable.

Gaggenau reserves the right to request proof of purchase at the time any warranty claim is submitted to confirm that the Product falls within the scope of this limited product warranty.

Please make sure to return your registration card; while not necessary to effectuate warranty coverage, it is the best way for Gaggenau to notify you in the unlikely event of a safety notice or product recall.

### How Long the Warranty Lasts

Gaggenau warrants that the Product is free from defects in materials and workmanship for a period of one thousand eight hundred twenty five (1,825) days from the date of purchase. The foregoing timeline begins to run upon the date of purchase, and shall not be stalled, tolled, extended, or suspended, for any reason whatsoever.

This Product is also warranted to be free from **cosmetic** defects in material and workmanship (such as scratches of stainless steel, paint/porcelain blemishes, chip, dents, or other damage to the finish of the Product), for a period of thirty (30) days from the date of purchase or closing date for new construction. This **cosmetic** warranty excludes slight color variations due to inherent differences in painted and porcelain parts, as well as differences caused by kitchen lighting, product location, or other similar factors. This **cosmetic** warranty specifically excludes any display, floor, "As Is", or "B" stock appliances.

## Repair/Replace as Your Exclusive Remedy

During this warranty period, Gaggenau or one of its authorized service providers will repair your Product without charge to you (subject to certain limitations stated herein) if your Product proves to have been manufactured with a defect in materials or workmanship. If a reasonable number attempts to repair the Product have been made without success, then Gaggenau will replace your Product (upgraded models may be available to you, in Gaggenau's sole discretion, for an additional charge). All removed parts and components shall become the property of Gaggenau at its sole option. All replaced and/or repaired parts shall assume the identity of the original part for purposes of this warranty and this warranty shall not be extended with respect to such parts. Gaggenau's sole liability and responsibility hereunder is to repair manufacturer-defective Product only, using a Gaggenau-authorized service provider during normal business hours. For safety and property damage concerns, Gaggenau highly recommends that you do not attempt to repair the Product yourself, or use an unauthorized servicer; Gaggenau will have no responsibility or liability for repairs or work performed by a non-authorized servicer. If you choose to have someone other than an authorized service provider work on your Product, **THIS WARRANTY WILL AUTOMATICALLY BECOME NULL AND VOID.**

Authorized service providers are those persons or companies that have been specially trained on Gaggenau products, and who possess, in Gaggenau's opinion, a superior reputation for customer service and technical ability (note that they are independent entities and are not agents, partners, affiliates or representatives of Gaggenau). Notwithstanding the foregoing, Gaggenau will not incur any liability, or have responsibility, for the Product if it is located in a remote area (more than 100 miles from an authorized service provider) or is reasonably inaccessible, hazardous, threatening, or treacherous locale, surroundings, or environment; in any such event, if you request, Gaggenau would still pay for labor and parts and ship the parts to the nearest authorized service provider, but you would still be fully liable and responsible for any travel time or other special charges by the service company, assuming they agree to make the service call.

## Out of Warranty Product

Gaggenau is under no obligation, at law or otherwise, to provide you with any concessions, including repairs, pro-rates, or Product replacement, once this warranty has expired.

## Warranty Exclusions

The warranty coverage described herein excludes all defects or damage that are not the direct fault of Gaggenau, including without limitation, one or more of the following:

- Use of the Product in anything other than its normal, customary and intended manner (including without limitation, any form of commercial use, use or storage of an indoor product outdoors, use of the Product in conjunction with air or water-going vessels);
- Any party's willful misconduct, negligence, misuse, abuse, accidents, neglect, improper operation, failure to maintain, improper or negligent installation, tampering, failure to follow operating instructions, mishandling, unauthorized service (including self-performed "fixing" or exploration of the appliance's internal workings);
- Adjustment, alteration or modification of any kind;
- A failure to comply with any applicable state, local, city, or county electrical, plumbing and/or building codes, regulations, or laws, including failure to install the product in strict conformity with local fire and building codes and regulations;
- Ordinary wear and tear, spills of food, liquid, grease accumulations, or other substances that accumulate on, in, or around the Product;
- Any external, elemental and/or environmental forces and factors, including without limitation, rain, wind, sand, floods, fires, mud slides, freezing temperatures, excessive moisture or extended exposure to humidity, lightning, power surges, structural failures surrounding the appliance, and acts of God.

In no event shall Gaggenau have any liability or responsibility whatsoever for damage to surrounding property, including cabinetry, floors, ceilings, and other structures or objects around the Product. Also excluded from this warranty are Products on which the serial numbers have been altered, defaced, or removed; service visits to teach you how to use the Product, or visits where there is nothing wrong with the Product; correction of installation problems (you are solely responsible for any structure and setting for the Product, including all electrical, plumbing or other connecting facilities, for proper foundation/flooring, and for any alterations including without limitation cabinetry, walls, floors, shelving, etc.); and resetting of breakers or fuses.

TO THE EXTENT ALLOWED BY LAW, THIS WARRANTY SETS OUT YOUR EXCLUSIVE REMEDIES WITH RESPECT TO PRODUCT, WHETHER THE

CLAIM ARISES IN CONTRACT OR TORT (INCLUDING STRICT LIABILITY, OR NEGLIGENCE) OR OTHERWISE. THIS WARRANTY IS IN LIEU OF ALL OTHER WARRANTIES, WHETHER EXPRESS OR IMPLIED. ANY WARRANTY IMPLIED BY LAW, WHETHER FOR MERCHANTABILITY OR FITNESS FOR A PARTICULAR PURPOSE, OR OTHERWISE, SHALL BE EFFECTIVE ONLY FOR THE PERIOD THAT THIS EXPRESS LIMITED WARRANTY IS EFFECTIVE. IN NO EVENT WILL THE MANUFACTURER BE LIABLE FOR CONSEQUENTIAL, SPECIAL, INCIDENTAL, INDIRECT, "BUSINESS LOSS", AND/OR PUNITIVE DAMAGES, LOSSES, OR EXPENSES, INCLUDING WITHOUT LIMITATION TIME AWAY FROM WORK, HOTELS AND/OR RESTAURANT MEALS, REMODELLING EXPENSES IN EXCESS OF DIRECT DAMAGES WHICH ARE DEFINITELY CAUSED EXCLUSIVELY BY BSH, OR OTHERWISE. SOME STATES DO NOT ALLOW THE EXCLUSION OR LIMITATION OF INCIDENTAL OR CONSEQUENTIAL DAMAGES, AND SOME STATES DO NOT ALLOW LIMITATIONS ON HOW LONG AN IMPLIED WARRANTY LASTS, SO THE ABOVE LIMITATIONS MAY NOT APPLY TO YOU. THIS WARRANTY GIVES YOU SPECIFIC LEGAL RIGHTS, AND YOU MAY ALSO HAVE OTHER RIGHTS WHICH VARY FROM STATE TO STATE. No attempt to alter, modify or amend this warranty shall be effective unless authorized in writing by an officer of BSH.

## How to Obtain Warranty Service

To obtain warranty service for your Product, you should contact the nearest Gaggenau authorized service center.

---

## Installation and connection

---

The dishwasher must be connected correctly, otherwise it will not function properly. The specifications for the inlet and outlet as well as the electrical connected loads must correspond with the required criteria as specified in the following paragraphs or in the installation instructions.

### Install the appliance in the correct sequence:

1. Checking appliance on delivery
2. Installation
3. Drainage connection
4. Tap water connection
5. Electrical connection

## Parts included

If you have any complaints, contact the dealer from whom you purchased the appliance or our customer services department.

- Dishwasher
- User manual
- Installation instructions
- Quick reference guide\*
- Warranty\*
- Installation materials
- Steam guard plate\*
- Rubber apron\*
- Power cord

\* depending on the features of your dishwasher

## Safety instructions

Please refer to the Important Safety Instructions for installation that are included in the separate Installation Instructions for your appliance.

## Delivery

Your dishwasher has been checked thoroughly in the factory to ensure that it is in working order. This may cause small water stains. These will disappear after the first wash cycle.

## Technical specifications

- **Weight:**  
up to 132 lbs (60 kg)
- **Voltage:**  
120 V, 60 Hz
- **Connected load:**  
1,300 W.
- **Circuit breaker:**  
12 A
- **Power input:**  
off mode (Po)\* 0.50 W.  
left on mode (PI)\* 50 W.  
  
\*according to regulations (EU) nos. 1016/2010 and 1059/2010.  
  
Additional functions and settings may increase the power input.
- **Water pressure:**  
at least 0.05 MPa (0.5 bar), maximum 1 MPa (10 bar).  
At a higher water pressure:  
connect pressure-reducing valve ahead.
- **Inlet rate:**  
minimum 10 litres/minute
- **Water temperature:**  
Cold water.  
Hot water:  
Maximum temperature 140° F (60 °C).
- **Capacity:**  
12–15 place settings (depending on the features of your dishwasher).

## Installation

The required installation dimensions can be found in the installation instructions. Level the appliance with the aid of the height-adjustable feet. Ensure that the appliance is situated securely on the floor.

- A built-under or integrated appliance which is installed subsequently as a free-standing appliance must be secured to prevent it from overturning, e.g. by screwing it to the wall or by installing it under a continuous worktop which is screwed to adjacent cupboards.
- The appliance can easily be installed in a fitted kitchen between wooden and plastic walls.

## Drain connection

1. The required work sequence can be found in the installation instructions. If required, fit a siphon with a drain connection.
2. Connect the drain hose to the drain connection of the siphon with the enclosed parts.  
  
Ensure that the drain hose is not kinked, crushed or twisted and that there is no cover plate in the drainage to prevent the drain water from flowing out!

## Water supply connection

1. Fasten the water supply connection to the tap according to the installation instructions using the enclosed parts.  
  
Ensure that the water supply connection is not kinked, crushed or twisted.
2. When replacing the appliance, always use a new water supply hose.

### Water pressure:

At least 0.05 MPa (0.5 bar), maximum 1 MPa (10 bar).  
At a higher water pressure:  
connect pressure-reducing valve ahead.

### Inlet rate:

Minimum 10 litres/minute

### Water temperature:

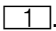
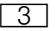
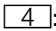

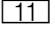
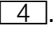
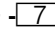

Cold water.  
Hot water:  
Maximum temperature 140° F (60 °C).



## Hot water connection \*

The dishwasher can be connected to cold or hot water up to max. 140° F (60 °C). Connection to hot water is recommended if the hot water can be supplied by energetically favourable means and from a suitable installation, e.g. solar heating system with circulation line. This will save energy and time. The “Hot water” setting allows you to adjust your dishwasher optimally to operation with hot water. It is recommended to have a water temperature (temperature of the incoming water) of at least 104° F (40 °C) and no more than 140° F (60 °C). It is not recommended to connect the appliance to hot water if the water is supplied from an electric boiler.

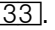
### To change the setting:


1. Open the door.
  2. Switch on ON/OFF switch .
  3. Press Info button **i**  for 3 seconds until the following text is indicated on the display window at the top :
- Scroll with < >**
- Set with - +**
- Leave with  3 sec.**
4. Keep pressing the button **>**  until water connection appears on the display window at the top .
  5. Make the selection with setting buttons **+** .
  6. Press and hold the Info button **i**  for 3 seconds.

The chosen setting has now been stored.

\* optional feature which may or may not be included with your dishwasher

## Electrical connection

- Connect the appliance to an 120 V, 60 Hz alternating current only, via a correctly installed outlet with protective grounding conductor. See rating plate for required fusing .
  - The outlet must be near the appliance and freely accessible after the installation.
- If the plug is not freely accessible, an allpole disconnecter with a contact opening of at least 3 mm must be fitted on the installation side to satisfy the relevant safety instructions.
- The connection may be modified by technicians only.

- A power cord extension may be purchased from customer service only.
- Use only a residual current operated circuit-breaker which features the symbol . Only this extension guarantees compliance with the currently valid regulations.
- The appliance features a water damage protection system. Please note the system will function **only** when the power supply is connected.

## Removing the appliance

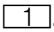
**Also observe the sequence of worksteps here.**

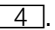
1. Disconnect the appliance from the power supply.
2. Turn off the tap.
3. Undo the drain water and water supply connection.
4. Loosen fastening screws for the cabinet parts.
5. If fitted, remove the base panel.
6. Pull out the appliance, carefully pulling the hose behind.

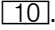
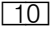
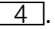
## Transporting the appliance

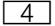
Empty the dishwasher and secure loose parts.

**Drain the appliance according to the following steps:**

1. Turn on the tap.
2. Open the door.
3. Switch on ON/OFF button .
4. Select wash cycle with the highest temperature.

The estimated wash cycle duration is indicated on the digital display .

5. Press START button .
  6. Close the door.
- Wash cycle sequence starts.
7. Open the door after approx. 4 minutes.
  8. Press START button  until “Program was terminated”/“Ready in one minute.” is indicated at the digital display .
  9. Close the door.
  10. Open the door after approx. 1 minute.

The digital display  indicates; “Finished”.

11. Switch off ON/OFF switch .
12. Turn off the tap, disconnect supply hose and drain water.

**Note:** Transport appliance upright only. This prevents residual water from running into the machine control and damaging the wash cycle sequence.

## **Securing the appliance against frost**

If the appliance is in a room where there is a risk of frost (e.g. holiday home), empty the appliance completely (see “Transporting the appliance”).

# Table des matières

<b>Indications de sécurité</b>	<b>54</b>	<b>Cycles du lave-vaisselle</b>	<b>77</b>
<b>CONSIGNES DE SÉCURITÉ IMPORTANTES</b>	<b>55</b>	<b>Options de cycles du lave-vaisselle</b>	<b>78</b>
Risque d'incendie, de choc électrique, ou de blessures graves	55	Zone intensive	78
Instructions de mise à la terre	55	Puissance	78
Fonctionnement normal	56	Chargement partiel	78
Sécurité pour enfants	57	Extra sec	78
Entretien et maintenance corrects	57	Informations sur le cycle de lavage	78
<b>Causes de pannes</b>	<b>58</b>	<b>Mise en marche du lave-vaisselle</b>	<b>80</b>
<b>Mise en marche</b>	<b>59</b>	Protection contre une opération involontaire	80
Vue d'ensemble de l'appareil	59	Utilisation des boutons tactiles	80
Panneau de commande	60	Ouvrir la porte	80
Composants internes du lave-vaisselle	60	Modification des réglages	80
Bouton Information	60	AquaSensor	81
Réglage de l'heure	60	Affichage de l'heure	81
Première mise sous tension de l'appareil	61	Réglage des capteurs	81
Réglages	61	extraSec	81
<b>Système d'adoucissement de l'eau / sels</b>	<b>63</b>	Impact écologique	81
Tableau de dureté de l'eau	63	Extinction automatique	81
Réglage du système d'adoucissement de l'eau	63	EmotionLight	81
Utilisation des sels précieux	63	Projection du temps restant	81
Détergent chargé en sels	64	infoLight	82
Éteindre le système d'adoucissement de l'eau	64	Changer le début du cycle de nettoyage	82
<b>Produit de rinçage</b>	<b>64</b>	Volume de la sonnerie	82
Ajout d'agent de rinçage	64	Bouton de volume	82
Réglage de la quantité de produit de rinçage utilisé	65	Sécurité enfants	82
Éteindre l'indicateur d'agent de remplissage de rinçage	65	Message de bienvenue	82
<b>Chargement du lave-vaisselle</b>	<b>66</b>	Réglages d'usine	82
Matériaux lavables au lave-vaisselle	66	Mise sous tension de l'appareil	82
Dégâts causés à la verrerie et l'argenterie	66	Temps de départ différé	82
Chargement des paniers	66	Fin du cycle de lavage	83
Mode de chargement recommandé	67	Mise hors tension de l'appareil	83
Chargement du panier à ustensiles*	68	Interruption du cycle de lavage	83
Accessoires de panier	69	Arrêt du cycle de lavage	83
Retrait de la vaisselle	71	Réglage des capteurs	83
Réglage de la hauteur du panier	71	<b>Entretien et maintenance</b>	<b>84</b>
Panier supérieur avec leviers latéraux	72	État général du lave-vaisselle	84
Retirer/installer le troisième panier	72	Sels et agent de rinçage	84
Retirer/installer le panier supérieur	73	Filtres	84
Retirez/installez le panier inférieur	74	Bras gicleurs	85
<b>Détergent</b>	<b>75</b>	Pompe pour eaux résiduelles	86
Ajout de détergent	75	Rangement de l'appareil en cas d'inactivité	86
Détergent multifonctionnels	76	Préparation de l'appareil pour l'hiver	86
		<b>Dépannage</b>	<b>87</b>
		Message d'erreur	87
		Tableau des défaillances	87

<b>Service à la clientèle</b>	<b>96</b>
<hr/>	
<b>Déclaration de la garantie limitée du produit</b>	<b>96</b>
<hr/>	
Ce que couvre cette garantie et à qui elle s'applique :	96
Durée de la garantie	96
Réparer/Remplacer, comme recours exclusif	97
Produit hors garantie	97
Exclusions de garantie	97
Comment bénéficier d'un service de garantie	98
<hr/>	
<b>Installation et raccordement</b>	<b>99</b>
<hr/>	
Pièces incluses	99
Consignes de sécurité	99
Livraison	99
Données techniques	99
Installation	100
Raccordement du boyau d'évacuation	100
Raccordement à l'eau courante	100
Raccordement d'eau chaude	100
Raccordement électrique	100
Dépose de l'appareil	101
Transport de l'appareil	101
Protection de l'appareil contre le gel	101

Félicitations et merci de Gaggenau !

Merci d'avoir choisi un lave-vaisselle Gaggenau. Vous rejoignez les nombreux consommateurs qui exigent un rendement silencieux et supérieur d'un lave-vaisselle.

Ce guide a été écrit en vue de la sécurité et du côté pratique, et l'information contenue ici est très importante. Nous recommandons de lire ce guide avant d'utiliser le lave-vaisselle la première fois.

Pour en connaître d'avantage sur le lave-vaisselle et les accessoires disponibles ainsi que sur les autres appareils Gaggenau de haute qualité, visiter le site [www.gaggenau-usa.com](http://www.gaggenau-usa.com).

Pour toute question ou tout commentaire.

Gaggenau  
1901 Main Street, Suite 600  
Irvine, CA 92614  
USA

Phone +1-877-442-4436

[info@gaggenau-usa.com](mailto:info@gaggenau-usa.com)  
[www.gaggenau-usa.com](http://www.gaggenau-usa.com)

---

## Indications de sécurité

---

---

### **AVERTISSEMENT**

---

Ceci indique des risques de blessures graves ou mortelles en cas de non-respect de cette mise en garde.

---

---

### **ATTENTION !**

---

Ceci indique des risques de blessures mineures ou de gravité moyenne en cas de non-respect de cette mise en garde.

---

**AVIS :** Ceci indique un risque d'endommagement de l'appareil ou de biens en cas de non respect de ces consignes.

**Remarque :** Ceci vous signale des informations et/ou indications importantes.

# **CONSIGNES DE SÉCURITÉ IMPORTANTES**

## LISEZ ET CONSERVEZ CES INSTRUCTIONS

Ce lave-vaisselle est livré avec des instructions de montage et ce Manuel d'utilisation et d'entretien. Lisez et assurez-vous d'avoir bien assimilé toutes les instructions avant d'utiliser le lave-vaisselle.

Ce lave-vaisselle est conçu pour une utilisation jusqu'à une altitude de 4000 m au-dessus du niveau de la mer.

**Pour réduire le risque d'incendie, de choc électrique, ou de blessures graves, respectez les consignes suivantes :**

---

### **AVERTISSEMENT**

#### **Risque de blessure ou de décès !**

La mauvaise utilisation du lave-vaisselle peut causer des blessures graves ou mortelles. Évitez d'utiliser le lave-vaisselle d'une manière non conforme aux directives énoncées dans ce manuel ou à d'autres fins que celles énoncées dans les pages suivantes.

---

### **AVERTISSEMENT**

#### **Risque de blessures !**

La réparation de l'appareil par des techniciens d'entretien non qualifiés ou l'utilisation de pièces de rechange non originales peuvent causer des blessures graves ou endommager l'équipement. Tous les travaux de réparation doivent être effectués par un technicien d'entretien qualifié utilisant uniquement des pièces de rechange d'origine.

---

### **AVERTISSEMENT**

#### **Risque de choc électrique ou d'incendie !**

Un choc électrique ou un incendie peut survenir si l'alimentation électrique du lave-vaisselle décrit dans le présent manuel est mal installée ou s'il n'est pas correctement mis à la terre. Le lave-vaisselle décrit dans ce manuel ne doit pas être utilisé à moins d'être certain de la bonne installation de l'alimentation électrique et de la mise à la terre correcte du lave-vaisselle.

---

### **AVERTISSEMENT**

#### **Risque pour la santé !**

N'utilisez jamais des produits chimiques agressifs pour nettoyer votre lave-vaisselle. Certains produits contenant du chlore peuvent endommager le lave-vaisselle et présenter des risques pour la santé!

---

### **Instructions de mise à la terre**

Cet équipement doit être mis à la terre au niveau d'un système de câblage permanent en métal, ou un conducteur de mise à la masse d'équipement doit être intégré aux conducteurs d'alimentation et connecté au terminal de mise à la masse de l'équipement ou à la broche de raccordement du lave-vaisselle. Voir la rubrique Instructions de montage fournie pour avoir plus d'informations sur les exigences électriques.

# **CONSIGNES DE SÉCURITÉ IMPORTANTES**

LISEZ ET CONSERVEZ CES INSTRUCTIONS

---

## **AVERTISSEMENT**

### **Risque de choc électrique !**

Cet appareil doit être mis à la terre. En cas de dysfonctionnement, la mise à la terre réduira le risque de choc électrique en fournissant une voie de moindre résistance au courant électrique. Cet appareil est équipé d'un câble disposant d'un conducteur de mise à la terre. La mauvaise connexion du conducteur de mise à la terre peut provoquer un risque de choc électrique. En présence d'un électricien qualifié ou d'un technicien du service, vérifiez, en cas de doute, si l'appareil est correctement mis à la terre.

---

### **Fonctionnement normal**

Utilisez ce lave-vaisselle uniquement aux fins spécifiées, notamment le lavage de vaisselle et d'ustensiles de cuisine indiqués comme lavables au lave-vaisselle.

Utilisez uniquement des détergents ou des produits de rinçage recommandés pour un lave-vaisselle, puis tenez-les hors de la portée des enfants.

---

## **ATTENTION !**

Lors du chargement de vaisselle à laver :

- identifiez les objets tranchants pour éviter qu'ils n'endommagent le joint de la porte.
  - les couteaux et autres ustensiles tranchants doivent être placés debout, les **POIGNÉES EN HAUT**, afin de réduire le risque de coupures.
  - ne lavez pas les objets en plastique, sauf s'ils portent l'inscription « lavable au lave-vaisselle » ou une indication équivalente. Pour les objets en plastique ne portant pas cette indication, consultez les recommandations de leurs fabricants respectifs.
  - évitez de mettre votre votre lave-vaisselle en marche à moins que tous les panneaux ne soient en place.
  - ne touchez pas ou ne passez pas outre les commandes et verrouillages.
- 

Évitez de vous asseoir, de vous appuyez ou d'utiliser de manière abusive la porte ou les paniers à vaisselle du lave-vaisselle.

---

## **AVERTISSEMENT**

### **Risque de blessures !**

Pour éviter des risques de blessures, faites toujours attention lorsque vous ouvrez la porte pendant ou après un cycle de lavage car des rejets d'eau chaude ou de vapeur peuvent survenir. N'ouvrez pas complètement la porte avant que les bruits d'eau n'aient cessés et que la vapeur ne soit dissipée.

---

Les lave-vaisselle domestiques certifiés NSF/ANSI 184 ne sont pas destinés aux établissements de services alimentaires agréés.



# **CONSIGNES DE SÉCURITÉ IMPORTANTES**

## LISEZ ET CONSERVEZ CES INSTRUCTIONS

### **Sécurité pour enfants**

Pour réduire le risque de blessure, interdisez aux enfants de jouer dans ou sur le lave-vaisselle.

À l'âge adulte leur permettant d'utiliser la machine, les enfants sont sous la responsabilité de leurs parents/tuteurs légaux qui doivent s'assurer qu'ils sont suffisamment instruits sur les bonnes pratiques par des personnes qualifiées.

Par temps de gel, la vanne de remplissage d'eau ainsi que d'autres composants de votre lave-vaisselle peuvent s'endommager.

**AVIS** : Il est vivement recommandé à l'utilisateur final de se familiariser avec les procédures d'arrêt de l'alimentation en eau ainsi qu'avec les procédures d'arrêt de l'alimentation électrique entrante. Consultez les instructions de montage ou contactez votre installateur pour de plus amples informations.

### **Entretien et maintenance corrects**

---

#### **AVERTISSEMENT**

---

##### **Risque d'explosion !**

Sous certaines conditions, de l'hydrogène gazeux peut se créer dans un système d'eau chaude inutilisé pendant deux semaines ou plus. L'hydrogène gazeux est de nature explosive. Avant d'utiliser un lave-vaisselle connecté à un système d'eau chaude inutilisé pendant deux semaines ou plus, ouvrez tous les robinets d'eau chaude et laissez l'eau s'écouler pendant plusieurs minutes. Tout l'hydrogène gazeux accumulé sera ainsi évacué. Compte tenu de la nature explosive du gaz, évitez de fumer ou d'utiliser des flammes nues à ce moment.

---

---

#### **AVERTISSEMENT**

---

##### **Mises en garde conformément à la proposition 65 de l'État de Californie !**

Ce produit contient un ou plusieurs produit(s) chimique(s) réputé(s) par l'État de Californie comme causant le cancer, des anomalies congénitales ou d'autres dommages à l'appareil reproducteur.

---

Retirez la porte du lave-vaisselle menant au compartiment de nettoyage lors du retrait d'un ancien lave-vaisselle dans le cadre de l'entretien ou de la mise au rebut.

Pour éviter d'endommager le plancher et la propagation des moisissures, les alentours et le dessous du lave-vaisselle ne doivent pas rester humides.

Afin de ne pas endommager le lave-vaisselle, évitez de laisser l'eau pénétrer dans les systèmes de votre appareil pendant de longues périodes à des températures de gel.

---

## Causes de pannes

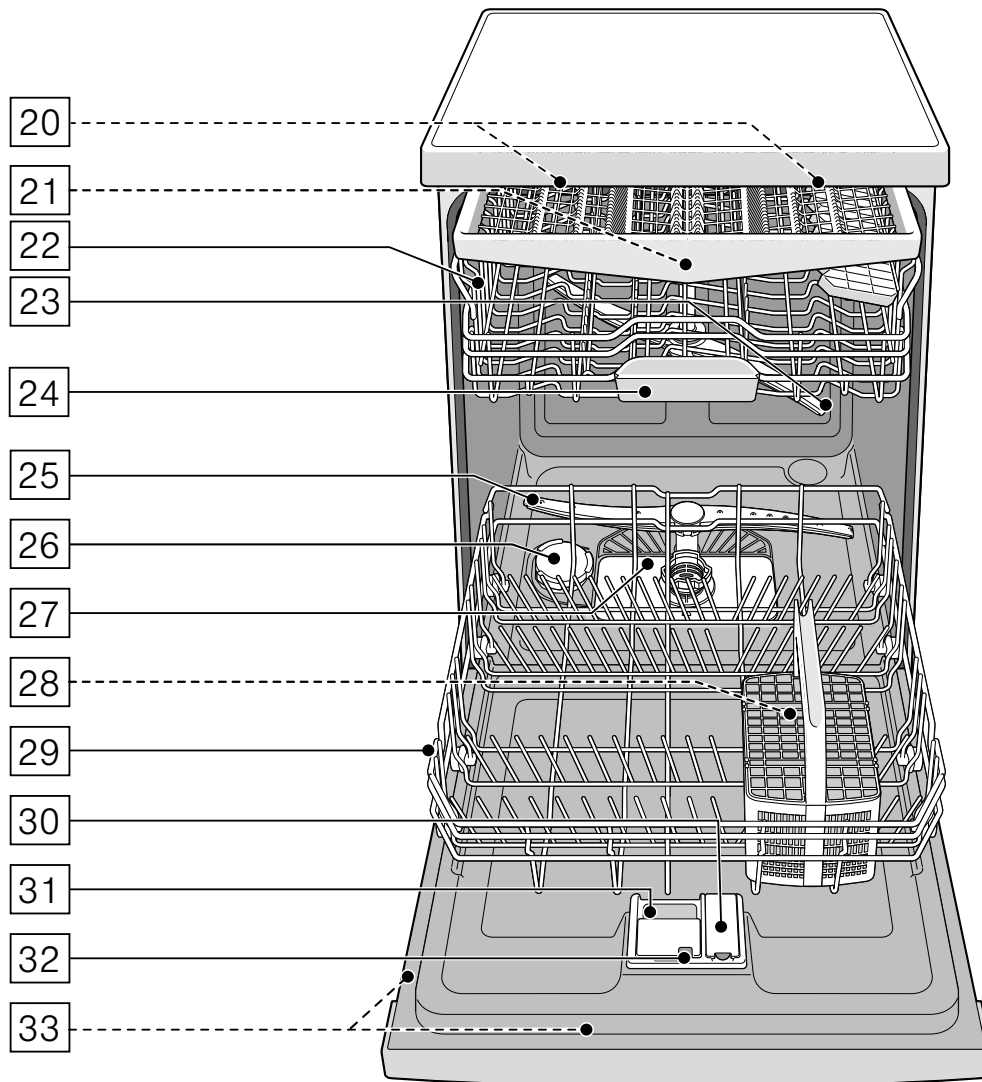
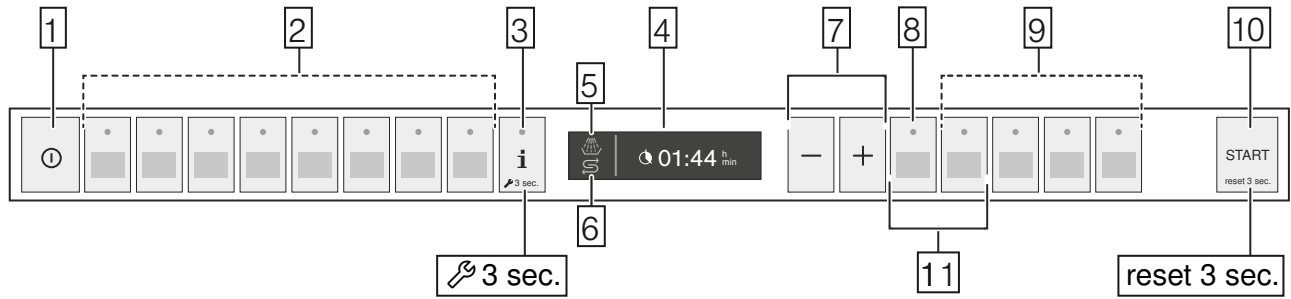
---

### **AVISES :**

- N'utilisez jamais de nettoyeurs à vapeur pour laver votre lave-vaisselle. Le fabricant n'est pas responsable des conséquences ou des dommages éventuels.
- Pour éviter toute possibilité d'endommager le lave-vaisselle, n'utilisez pas des produits chimiques acides, des nettoyeurs abrasifs, des tampons à récurer (métalliques ou plastiques), ou des éponges/essuie-tout abrasifs pour nettoyer le panneau de porte extérieure de votre lave-vaisselle. Ceci peut endommager le panneau de porte extérieur de votre lave-vaisselle.
- Afin de ne pas endommager le lave-vaisselle, n'y chargez pas d'objets en papier, de sacs en plastique, de matériaux d'emballage ou autre chose que des ustensiles ou articles de cuisine normaux.
- **Protégez votre lave-vaisselle des éléments. Protégez-le du gel afin d'éviter d'endommager la soupape de remplissage. Les dégâts causés par le gel ne sont pas couverts par la garantie.**

## Mise en marche

### Vue d'ensemble de l'appareil



Les numéros mentionnés ci-dessous font référence aux images d'aperçu sur la page précédente du présent manuel.

## Panneau de commande

- 1 Interrupteur Marche/Arrêt
- 2 Touches de programmation \*\*
- 3 Bouton Information i
- 4 Affichage digital
- 5 Indicateur de remplissage de liquide de rinçage
- 6 Indicateur de remplissage de sel
- 7 Touches de réglage
- 8 Départ différé
- 9 Fonctions supplémentaires \*\*
- 10 Touche DÉMARRAGE
- 11 Touche < >

\*\*le nombre de cycles de lavage et d'options dépend du numéro du modèle en question

## Composants internes du lave-vaisselle

- 20 Éclairage intérieur \*
- 21 Tiroir à couverts \*
- 22 Panier à vaisselle supérieur
- 23 Bras d'aspersion supérieur
- 24 Coupelle interceptrice des pastilles
- 25 Bras d'aspersion inférieur
- 26 Réservoir de sel spécial
- 27 Filtres
- 28 Panier à couverts\*
- 29 Panier à vaisselle inférieur
- 30 Réservoir de liquide de rinçage
- 31 Compartiment à détergent
- 32 Verrou de fermeture du compartiment à détergent
- 33 Plaque signalétique

\* option facultative qui peut être ou ne pas être incluse avec votre lave-vaisselle

## Bouton Information i

Le bouton Information **i** peut-être utilisé pour afficher des informations supplémentaires sur le cycle de lavage.

1. Appuyez sur le bouton **i** 3.
2. Appuyez sur le bouton de cycle de lavage.  
  
Les informations concernant le cycle de lavage sélectionné sont affichées dans la fenêtre d'affichage supérieure 4.
3. Pour sortir, appuyez sur le bouton Information **i** 3.

## Réglage de l'heure

Lorsque l'appareil est branché pour la première fois, l'heure affichée est 12:00.

**Réglez l'heure comme suit :**

1. Ouvrez la porte.
2. Appuyez sur le bouton MARCHE/ARRÊT 1.
3. Appuyez sur le bouton Information **i** 3 durant 3 secondes jusqu'à ce que le message suivant soit affiché dans la fenêtre d'affichage supérieure 4 :

**Faites défiler avec < >**

**Choisissez avec - +**

**Maintenez durant 3 sec.**

4. Maintenez le bouton > 11 enfoncé jusqu'à ce que l'heure soit affichée dans la fenêtre d'affichage supérieure 4.
5. Effectuez le réglage à l'aide des boutons + - 7. Si vous maintenez les boutons de sélection + - 7 enfoncés, les valeurs changent par palier de 10 minutes.
6. Appuyez et maintenez le bouton Information enfoncé **i** 3 pendant 3 secondes.

Les paramètres sélectionnés ont été sauvegardés.

**Remarque :** Si l'appareil a été déconnecté de l'alimentation électrique pour une période prolongée, l'heure affichée est 12:00. Réglez l'heure.

## Première mise sous tension de l'appareil

Lorsque le lave-vaisselle est mis sous tension pour la première fois, celui-ci vous invite à définir les paramètres requis après une première mise sous tension. Le message suivant est indiqué dans la fenêtre d'affichage supérieure **4** :

Faites défiler avec < >

Choisissez avec + -

Maintenez durant  3 sec.

Les paramètres à définir lors de la première mise sous tension de l'appareil sont énumérés dans le tableau ci-dessous.

Réglages	Réglages d'usine	Texte informatif en appuyant sur le bouton Information <b>i</b>
Langue	Anglais (États-Unis)	Sélection de la langue.
Format d'affichage de l'heure.	24 h	12 h ou 24 h
Réglage de l'heure	12:00	Réglage de l'heure actuelle.
Dureté de l'eau	°E 0	Réglage de la dureté de l'eau. Lorsque vous utilisez des comprimés tout-en-un, sélectionnez la valeur la plus basse.
Distrib. de produit de rinçage	Niveau 5	La quantité de produit de rinçage utilisé affecte le séchage. Sélectionnez 0 si vous utilisez des comprimés tout-en-un.

## Réglages

Le lave-vaisselle a été configuré avec certains paramètres pour votre confort. Il est possible de modifier ces réglages d'usine.

Changez les paramètres comme suit :

- Ouvrez la porte.
- Appuyez sur le bouton MARCHE/ARRÊT **1**.
- Appuyez sur le bouton Information **i** **3** durant 3 secondes jusqu'à ce que le message suivant soit affiché dans la fenêtre d'affichage supérieure **4** :

Faites défiler avec < >

Choisissez avec - +

Maintenez durant  3 sec.

- Appuyez sur le bouton > **1** jusqu'à ce que le paramètre désiré soit affiché.
- Effectuez le réglage à l'aide des boutons + - **7**.
- Appuyez et maintenez le bouton Information enfoncé **i** **3** pendant 3 secondes.

Les paramètres sélectionnés ont été sauvegardés.

Changez les paramètres comme suit :

- Appuyez sur le bouton > **1** jusqu'à ce que le paramètre désiré soit affiché.
- Effectuez le réglage à l'aide des boutons + - **7**.
- Appuyez et maintenez le bouton Information enfoncé **i** **3** pendant 3 secondes.

Les paramètres sélectionnés ont été sauvegardés.

Il est possible de restaurer les paramètres d'usine si vous désirez réinitialiser tous les paramètres modifiés.

**Remarque :** Lorsque vous restaurez les paramètres d'usine de votre lave-vaisselle celui-ci vous invite à définir les paramètres comme s'il s'agissait d'une première mise sous tension.

Paramètre	Réglages d'usine	Texte informatif en appuyant sur le bouton Information i
Réglage de l'heure	12:00	Réglage de l'heure actuelle.
Format d'affichage de l'heure.	24 h	12 h ou 24 h
Affichage de l'heure	Heure	Afficher l'heure de la fin du cycle via le message « Fin dans » ou « Fin à ».
Langue	Anglais (États-Unis)	Sélection de la langue.
Dureté de l'eau	°E 0	Réglage de la dureté de l'eau. Lorsque vous utilisez des comprimés tout-en-un, sélectionnez la valeur la plus basse.
Distrib. de produit de rinçage	Niveau 5	La quantité de produit de rinçage utilisé affecte le séchage. Sélectionnez 0 si vous utilisez des comprimés tout-en-un.
Réglage du capteur	Standard	Réglage de la détection de souillure pour l'obtention de résultats de lavage optimaux.
Extra sec	Arrêt	Séchage amélioré pour les verres et la vaisselle en plastique.
Impact écologique	Arrêt	Affiche la consommation d'eau et d'électricité.
Extinction automatique	Arrêt	L'appareil s'éteint automatiquement à la fin du rinçage.
Éclairage d'ambiance *	Marche	Éclairage intérieur*
Affichage de devant *	Marche	L'affichage de devant peut être sélectionné.
Proj. temps restant. *	Marche	Le temps restant est projeté au sol durant le cycle de lavage.
Lumière d'info*	Marche	De la lumière est projetée pour signaler qu'un lavage est en cours.
Début du cycle de nettoyage	Auto 55 °C à 65° C (130 à 150 °F)	Lorsqu'activé, le dernier cycle de nettoyage sélectionné apparaît.
Volume de la sonnerie*	Niveau 2	Volume du signal sonore à la fin du cycle de lavage.
Bouton de volume	Niveau 2	Règle le volume lors de l'utilisation de divers boutons.
Sécurité enfants*	Arrêt	L'activation de la sécurité enfants empêche l'ouverture de la porte.
Séchage éco*	Marche	La porte s'ouvre automatiquement à la fin du cycle de lavage.
Message de bienvenue	Marche	Vous pouvez supprimer l'affichage du logo de la marque à la mise sous tension de l'appareil.
Réglages d'usine	Réinitialiser	Restaurer les réglages d'usine.

\*selon les fonctions de votre lave-vaisselle

## Système d'adoucissement de l'eau / sels

Afin d'obtenir un bon rinçage, le lave-vaisselle a besoin d'une eau douce, c.-à-d. d'une eau pauvre en calcaire, à défaut de quoi des dépôts de calcaire se formeront sur les ustensiles ainsi qu'à l'intérieur de bac de lavage.. L'eau courante au-dessus de 12,5 °F (1.2 mmol/l) doit être adoucie. L'adoucissement de l'eau s'obtient grâce à des sels spéciaux (sels de régénération) déposés dans le système d'adoucissement de l'eau du lave-vaisselle. Le réglage et par conséquent la quantité de sels spéciaux à déposer dépendent du niveau de dureté de votre eau courante (voir le tableau de dureté de l'eau ci-après).

### Tableau de dureté de l'eau

Valeur de la dureté de l'eau °E	Niveau de dureté	mmol/l	Définir la valeur sur la machine
0-8	douce	0-1,1	0-8
9-10	douce	1,2-1,4	9-10
11-12	moyenne	1,5-1,8	11-12
13-15	moyenne	1,9-2,1	13-15
16-20	moyenne	2,2-2,9	16-20
21-26	dure	3,0-3,7	21-26
27-38	dure	3,8-5,4	27-38
39-62	dure	5,5-8,9	39-62

### Utilisation d'une bandelette pour déterminer la dureté de l'eau

La bandelette est comprise dans la trousse-échantillon du détergent.

#### Bandelette de test

Kurz eintauchen (1 sec), leicht abschütteln und nach 1 min ablesen. 4 grün/green/vert 1 rot/red/rouge 2 rot/red/rouge 3 rot/red/rouge 4 rot/red/rouge	Dip briefly (1 sec), shake of excess water and compare after 1 min. □ □ □ □ □ □ □ □ ■ □ □ □ □ □ □ □ ■ ■ □ □ □ □ □ □ ■ ■ ■ □ □ □ □ □ ■ ■ ■ ■ □ □ □ □	Flongez brièvement (1 sec), égouttez l'excès d'eau et comparez après 1 min. <3°dH/ <3,75°e/ <5,4°F >4°dH/ >5°e/ >7,2°F >8,4°dH/ >10,5°e/ >15,1°F >14°dH/ >17,5°e/ >25,2°F >21°dH/ >26,25°e/ >37,8°F	▼ <b>AQUADUR®</b> Teststäbchen zur Bestimmung der Wasserhärte Test stick for determination of water hardness Bandelette pour déterminer la dureté de l'eau
--	--	--	---

## Réglage du système d'adoucissement de l'eau

La quantité de sels déposés peut être réglée de 0 à 62°E. Les sels ne sont pas requis pour les valeurs de 0 à 8.

### Réglez le système d'adoucissement comme suit :

1. Demandez le degré de dureté de votre eau courante à votre fournisseur d'eau.
2. Le réglage à effectuer se trouve dans le tableau de dureté de l'eau.
3. Ouvrez la porte.
4. Appuyez sur le bouton MARCHE/ARRÊT .
5. Appuyez sur le bouton Information  durant 3 secondes jusqu'à ce que le message suivant soit affiché dans la fenêtre d'affichage supérieure  :

Faites défiler avec < >

Choisissez avec - +

Maintenez durant  3 sec.

6. Maintenez le bouton >  enfoncé jusqu'à ce que la dureté de l'eau soit affichée dans la fenêtre d'affichage supérieure .
7. Effectuez le réglage à l'aide des boutons + - .
8. Appuyez et maintenez le bouton Information enfoncé  pendant 3 secondes.

Les paramètres sélectionnés ont été sauvegardés.

### Utilisation des sels spéciaux

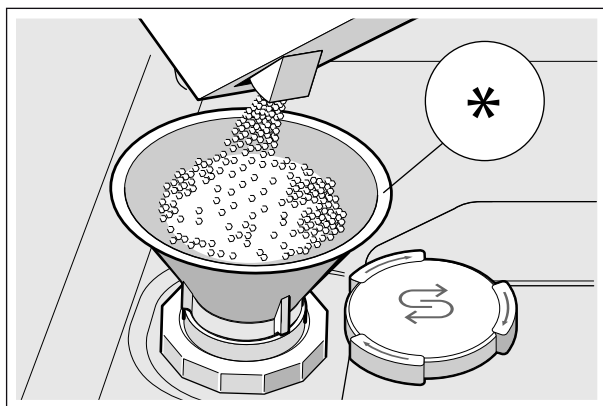
Remplissez au maximum le réservoir à sels dès que l'indicateur du niveau de sels  s'allume sur l'affichage digital. Remplissez toujours immédiatement le réservoir au maximum avant de mettre l'appareil sous tension. Ceci permet d'assurer l'évacuation immédiate de la solution surchargée en sels, prévenant ainsi le risque de corrosion dans le réservoir de rinçage.

**AVIS :** Le détergent détruit le système d'adoucissement de l'eau! Ne versez jamais de détergent dans le distributeur de sels.

### Remplissez les sels au maximum comme suit :

1. Retirez le bouchon à vis du distributeur [26].
2. Remplissez le distributeur d'eau (opération requise uniquement lors de la première mise sous tension de l'appareil).
3. Ajoutez les sels tel qu'illustré (n'utilisez pas de sel de table ou de comprimés).

L'eau est évacuée.



Pour en savoir plus sur l'achat de sels pour le lave-vaisselle, veuillez contacter le service à la clientèle (1-800-944-2904).

### Utilisation de détergents chargés en sels

Si vous utilisez un détergent chargé en sels, les sels spéciaux ne sont pas requis si la dureté de l'eau ne dépasse pas 375 ppm (37 °fH, 21 °dH, 26 °Clarke, 3,7 mmol/l). Si la dureté de l'eau dépasse 375 ppm, des sels doivent être utilisés.

### Éteindre l'indicateur de niveau bas de sels/le système d'adoucissement de l'eau

Si l'utilisation de détergents chargés en sels empêche le bon fonctionnement de l'indicateur du niveau de sel [6] sur le panneau de contrôle ou l'affichage du texte sur la fenêtre d'affichage supérieure [4] (suffisamment de sels pour X rinçages), il est possible de désactiver ces affichages.

Procédez tel que décrit dans « Réglage du système d'adoucissement de l'eau » et définissez la valeur entre **0** et **8**. Le système d'adoucissement de l'eau et l'indicateur de remplissage des sels sont maintenant activés.

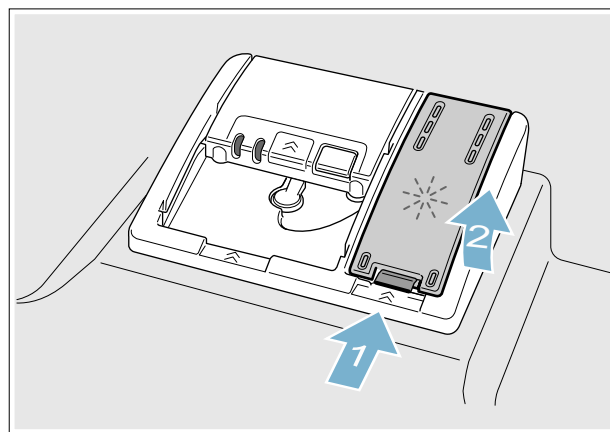
## Produit de rinçage

Dès que l'indicateur de niveau d'agent de rinçage [5] s'allume sur le panneau de contrôle, remplissez ce dernier immédiatement. L'agent de rinçage est nécessaire pour enlever les taches sur les ustensiles et verres. N'utilisez qu'un agent de rinçage recommandé par le constructeur comme étant sans risque pour une utilisation avec un lave-vaisselle domestique. Vous pouvez utiliser des détergents pourvus d'un agent de rinçage uniquement si la dureté de l'eau ne dépasse pas 375 ppm (37 °C, 21 °dH, 26 °Clarke, 3.7 mmol/l). Si la dureté de l'eau dépasse 375 ppm, un agent de rinçage classique devra être utilisé.

### Ajout d'agent de rinçage

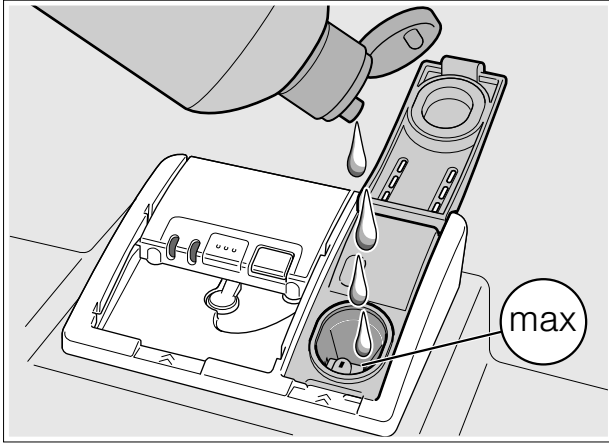
**AVIS :** Pour prévenir les excès de mousse ou l'engorgement, ne remplissez pas le distributeur de produit de rinçage au-delà de sa capacité [30]. Essayez les débordement à l'aide d'un chiffon humide.

1. Ouvrez le distributeur de liquide de rinçage [30] en appuyant sur le loquet du couvercle et en tirant sur celui-ci.





- Ajoutez le produit de rinçage liquide au distributeur [30] jusqu'à pleine capacité. Ne le remplissez pas outre mesure.



- Fermez le couvercle. Le couvercle doit être hermétiquement fermé jusqu'à l'encliquetage du loquet, pour garantir son étanchéité.
- Essuyez tout excédent de produit de nettoyage déversé lorsque le réservoir est plein.

Ceci évite la formation de mousse excessive lors du prochain cycle de lavage.

**AVIS :** Ne pas remplir le distributeur de rinçage auxiliaire [30] avec de la lessive. Sinon, vous pourriez endommager le lave-vaisselle.

## Réglage de la quantité de produit de rinçage utilisé

La quantité d'agent de rinçage pouvant être distribuée peut être réglée sur une valeur comprise entre 0 et 6. Choisissez 5 pour obtenir un très bon rinçage. Ne changez pas la quantité d'agent de rinçage, sauf si des traces de calcaire ou des taches d'eau demeurent sur les ustensiles. Choisissez une valeur inférieure pour éviter les traces de calcaire. Choisissez une valeur supérieure pour éviter les taches d'eau.

Réglez la quantité d'agent de rinçage comme suit :

- Ouvrez la porte.
- Appuyez sur le bouton MARCHE/ARRÊT [1].
- Appuyez sur le bouton Information i [3] durant 3 secondes jusqu'à ce que le message suivant soit affiché dans la fenêtre d'affichage supérieure [4] :

Faites défiler avec < >

Choisissez avec - +

Maintenez durant 3 sec.

- Maintenez le bouton > [1] enfoncé jusqu'à ce que le distributeur d'agent de rinçage soit affiché dans la fenêtre d'affichage supérieure [4].
- Effectuez le réglage à l'aide des boutons + - [7].
- Appuyez et maintenez le bouton Information enfoncé i [3] pendant 3 secondes.

Les paramètres sélectionnés ont été sauvegardés.

**Remarque :** Ne changez pas la quantité d'agents de rinçage, sauf si des traces de calcaire (sélectionnez une valeur inférieure) ou des taches d'eau (sélectionnez une valeur supérieure) demeurent sur les ustensiles.

## Éteindre l'indicateur d'agent de remplissage de rinçage

Si l'utilisation de détergents pourvus d'agent de rinçage empêche le bon fonctionnement de l'indicateur de niveau d'agent de rinçage bas [5] sur le panneau de contrôle ou l'affichage du texte sur la fenêtre d'affichage supérieure (suffisamment d'agent de rinçage pour X rinçages), il est possible de désactiver ces affichages.

Procédez comme décrit dans « Réglage de la quantité d'agents de rinçage » et sélectionnez 0.

**AVIS :** L'utilisation du produit de rinçage et le réglage du distributeur à 0 peut conduire à des durées de cycle plus longues, ce qui consommera plus d'énergie et plus d'eau. Les températures plus élevées peuvent endommager la porcelaine fine ou la verrerie.

## Chargement du lave-vaisselle

### Matériaux lavables au lave-vaisselle

**Remarque :** Avant la première utilisation de votre lave-vaisselle, vérifiez les informations énoncées dans la présente rubrique. Certains objets ne peuvent pas être lavés au lave-vaisselle et doivent l'être à la main ; d'autres doivent être chargés de manière spéciale.

#### Recommandé

Aluminium	L'aluminium anodisé et coloré peut se décolorer au fil du temps. Les minéraux présents dans l'eau peuvent ternir ou tacher l'aluminium. En général, ils sont éliminés à l'aide d'un tampon en laine d'acier imbibé de savon.
Porcelaine chinoise, cristal, grès	Certains ustensiles peints à la main peuvent se décolorer ou se tacher. Lavez ces ustensiles à la main. Positionnez la verrerie fragile de manière à ce qu'elle ne bascule pas ou n'entre pas en contact avec d'autres ustensiles au cours du cycle de nettoyage.
Verre	Le verre de lait peut se décolorer ou jaunir.
Revêtements anti-adhésifs	Appliquez une légère couche d'huile végétale aux surfaces anti-adhésives après séchage.
Plastiques	Assurez-vous que les articles plastiques sont lavables au lave-vaisselle.
Acier inoxydable, argent sterling et métal argenté	Chargez ces objets de manière à ce qu'ils n'entrent pas en contact avec d'autres métaux, les parois de la cuve du lave-vaisselle en acier inoxydable ou la porte intérieure.

#### Non recommandé

Acrylique	Des craquelures ou de petites fissures peuvent survenir sur l'acrylique.
Pièces assemblées par un adhésif	Les adhésifs permettant d'assembler des matériaux comme le plastique, le bois, l'os, l'acier, le cuivre, l'étain, etc. peuvent perdre en adhérence.
Ustensiles à poignée en os	Les poignées peuvent se séparer.
Fer	Le fer va rouiller. Lavez à la main et séchez immédiatement.

#### Non recommandé

Articles autres que la vaisselle	Votre lave-vaisselle est destiné au nettoyage de vaisselle et d'articles de cuisine standards <b>UNIQUEMENT</b> .
Potin, laiton, bronze	Ces articles terniront. Lavez à la main et séchez immédiatement.

### Dégâts causés à la verrerie et l'argenterie

#### Causes :

- Le type de verre et le procédé de fabrication.
- La composition chimique du détergent.
- La température de l'eau du cycle de lavage.

#### Recommandations :

- Veuillez n'utiliser que de la verrerie et de la porcelaine ayant été désignées par le fabricant comme pouvant être lavées au lave-vaisselle.
- Utilisez un détergent qui protège l'argenterie.
- Sortez la verrerie et l'argenterie du lave-vaisselle dès que possible une fois le cycle de lavage terminé.

### Chargement des paniers

Pour obtenir les meilleurs résultats, respectez les instructions suivantes lors du chargement de la vaisselle :

- Les articles avec faible incrustation de résidus alimentaires ne doivent pas être pré-lavés.
- Retirez toutes les particules d'aliments, os, cure-dents et excès de graisse.
- Les articles souillés par les matières brûlées, cuites ou féculées peuvent nécessiter un pré-lavage.
- Chargez les plats dans les paniers du lave-vaisselle de telle sorte que les parois internes des bols, chaudrons et casseroles font face aux bras gicleurs.
- Évitez l'emboîtement et les points de contact entre les plats.
- Séparez les objets à base de métaux différents. Veillez à ne pas bloquer les bras gicleurs.

- Lavez uniquement la vaisselle et les articles de cuisine indiqués comme lavables au lave-vaisselle.

Reportez-vous à la rubrique Matériaux lavables au lave-vaisselle pour plus d'informations sur la vaisselle adaptée.

**AVIS :** Afin de ne pas endommager le lave-vaisselle, n'y chargez pas des objets en papier, des poches en plastique, des matériaux d'emballage ou tout article autre qu'un article normal, de la vaisselle ou des ustensiles de cuisine lavables au lave-vaisselle.

### Chargement du panier supérieur

Assurez-vous que les articles ne saillent pas du fond des paniers et ne bloquent les bras gicleurs.

**Remarque :** Lors de l'insertion du panier supérieur [22] dans le lave-vaisselle, poussez-le jusqu'à ce qu'il se bute contre la paroi arrière du bac à laver. Ainsi, le bras gicleur du panier supérieur [23] se connecte à l'alimentation en eau à l'arrière du bac à laver. Ne poussez pas les paniers à l'aide de la porte.

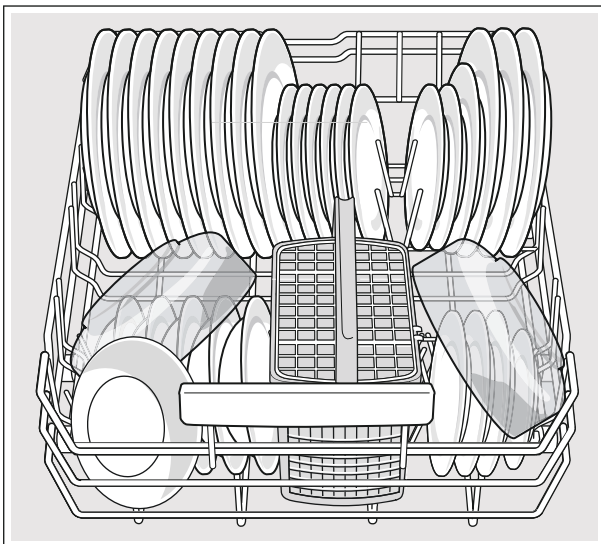
### Chargement du panier inférieur

Placez les objets volumineux dans le panier inférieur [29]. Chargez les chaudrons, casseroles et bols à l'envers. Ne bloquez pas les trous de ventilation avec de grandes plaques à pâtisserie. Chargez ces objets du côté droit du lave-vaisselle.

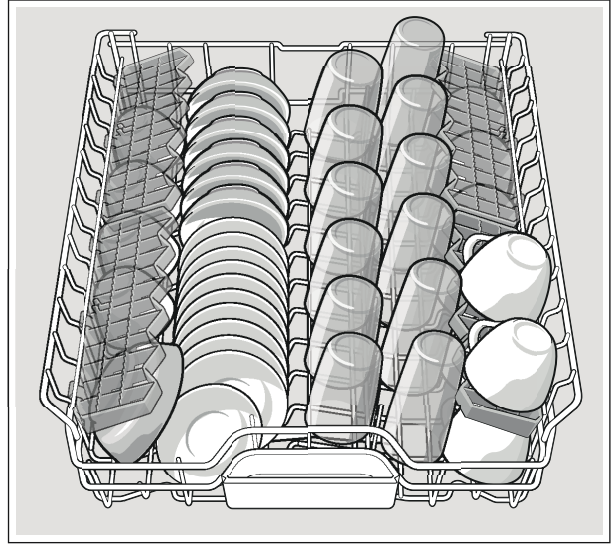
## Mode de chargement recommandé

**Remarque :** Le repliement des étagères à tasses permet aux tasses d'être disposées selon un angle accru et de réduire les accumulations d'eau au fond de celles-ci.

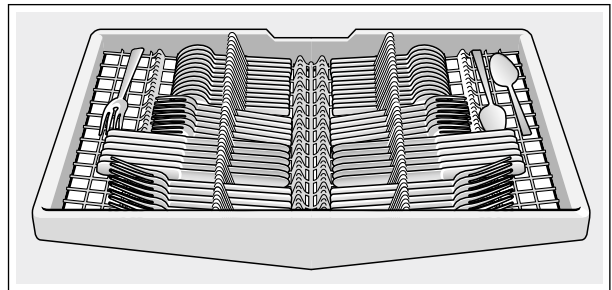
### Panier inférieur - 12 emplacements



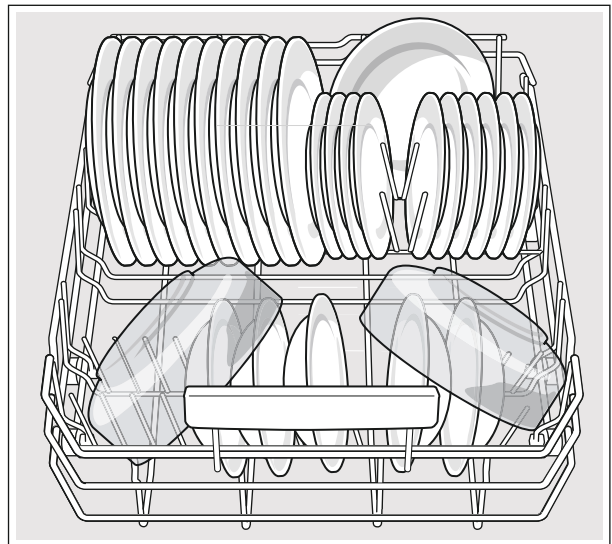
### Panier supérieur - 12 emplacements



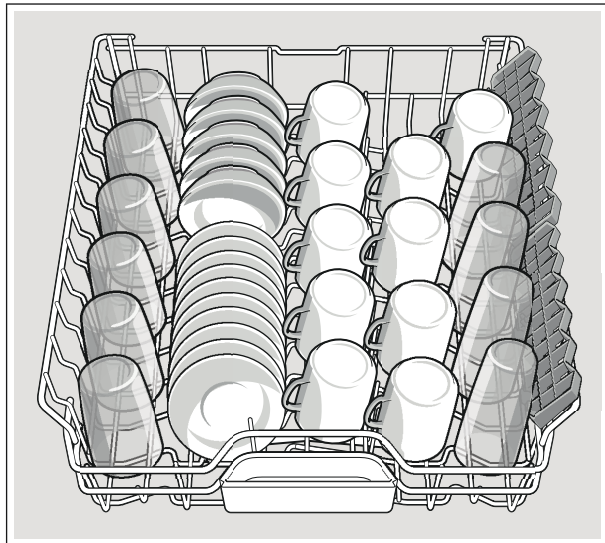
### Troisième panier - 12 emplacements



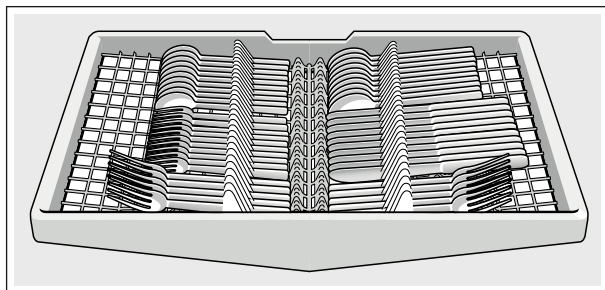
### Panier inférieur - 10 emplacements



**Panier supérieur - 10 emplacements**



**Troisième panier - 10 emplacements**



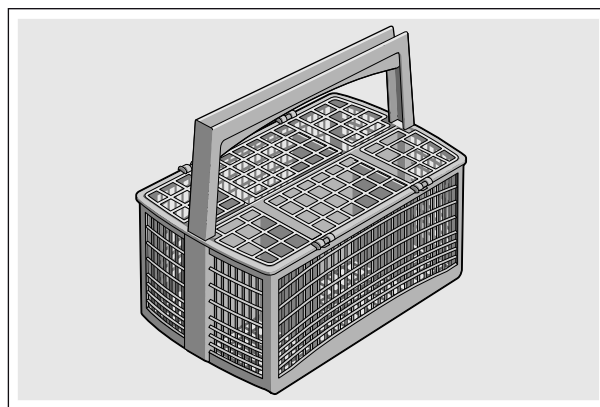
**Chargement du panier à ustensiles\***

Les couteaux et ustensiles tranchants doivent être placés avec les poignées en haut, les cuillères et fourchettes avec les poignées en bas. Si des objets volumineux ou aux formes irrégulières sont chargés dans le panier à ustensiles, veillez à ce qu'ils ne s'entassent pas.

**⚠ AVERTISSEMENT**

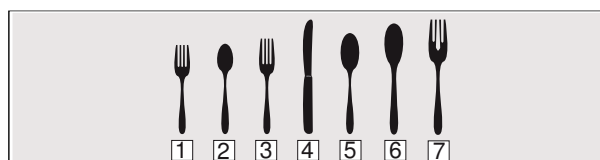
**Risque de blessures !**

Les points et bords tranchants des couteaux et autres ustensiles coupants peuvent causer des blessures graves. Lors du chargement, les pointes des couteaux et autres ustensiles tranchants doivent être tournés vers le bas. Les enfants ne doivent pas utiliser ou jouer près des couteaux et ustensiles tranchants.

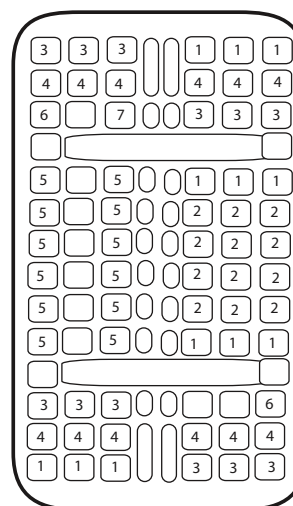


\* option facultative qui peut être ou ne pas être incluse avec votre lave-vaisselle

**Profils de chargement suggérés**



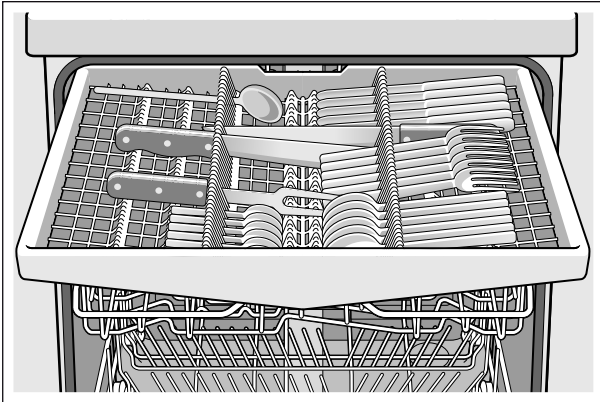
- 1 Fourchette à salade
- 2 Cuillère à café
- 3 Fourchette de table
- 4 Couteau
- 5 Cuillère à soupe
- 6 Cuillère à servir
- 7 Fourchette à servir



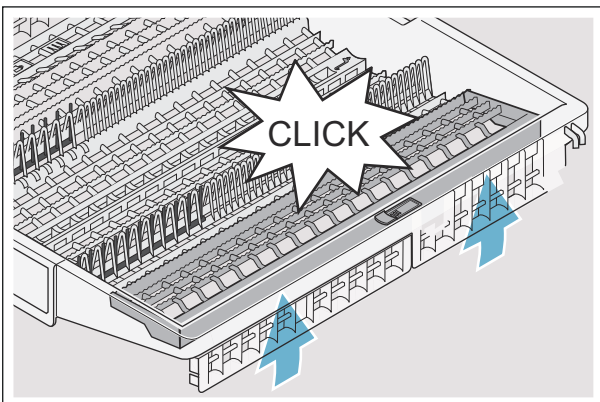
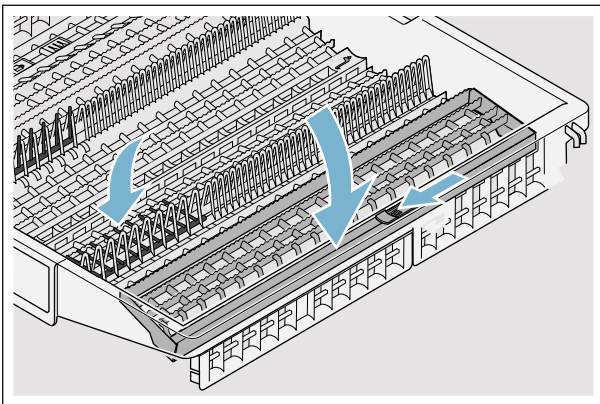
## Accessoires de panier

### Troisième panier\*

Le troisième panier [21] permet de placer horizontalement les couteaux, spatules et autres outils de grande taille pour un meilleur nettoyage et un chargement et déchargement faciles. Disposez la coutellerie dans le troisième panier [21] tel qu'illustré.



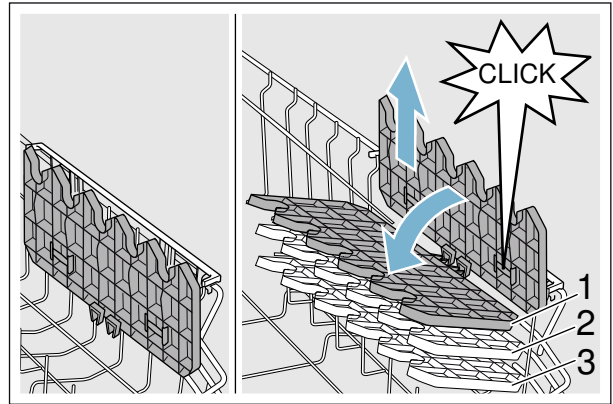
En fonction des caractéristiques de votre lave-vaisselle, vous pouvez replier les étagères latérales pour libérer de l'espace pour les articles d'argenterie de taille plus imposante. Les rangées de séparateurs à l'avant peuvent être repliées afin de libérer de l'espace pour les poignées plus larges.



\* option facultative qui peut être ou ne pas être incluse avec votre lave-vaisselle

### Étagère à tasses\*

Les étagères à tasses ainsi que l'espace qui se trouve sous celles-ci peuvent être utilisés pour les petites tasses et les verres, ainsi que les articles d'argenterie plus grands, comme les cuillères en bois, les cuillères et les fourchettes à servir. Si vous n'avez pas besoin de l'étagère à tasses, celle-ci peut être repliée.



Ajuster la hauteur de l'étagère à tasses comme suit :

1. Placez l'étagère dans une position verticale et tirez vers le haut.
2. Poussez l'étagère vers le bas avec un léger angle jusqu'à la hauteur désirée (1, 2, ou 3).
3. Insérer l'étagère à tasses.

L'étagère s'encliquette dans sa position.

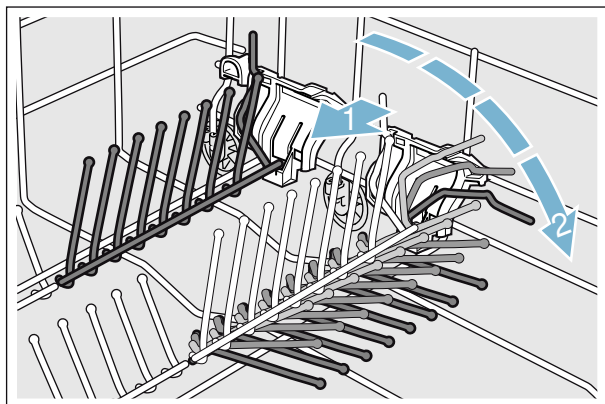
\* option facultative qui peut être ou ne pas être incluse avec votre lave-vaisselle

### Dents rabattables\*

Selon les caractéristiques de votre lave-vaisselle, les dents peuvent être rabattues. Ceci facilite la disposition des chaudrons, des bols et des verres.

### Rabattez les dents comme suit :

1. Tirez légèrement la dent rabattable vers vous et libérez-la de son encoche (1).
2. Poussez la dent rabattable vers le bas à la position désirée (2).



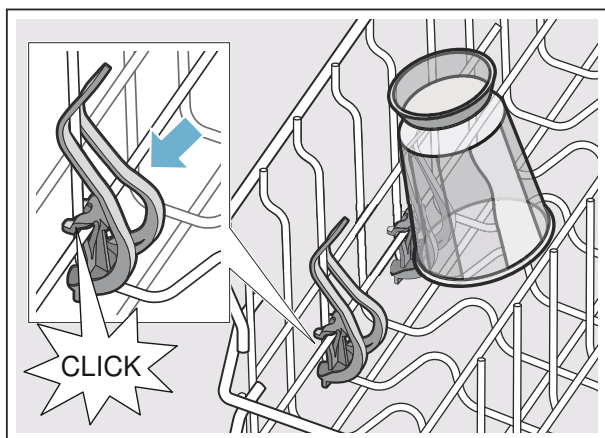
Pour les élever, poussez les peignes rabattables dans une position verticale jusqu'à ce que le support s'encliquette dans l'encoche.

\* option facultative qui peut être ou ne pas être incluse avec votre lave-vaisselle

### Pincettes pour objets en plastique\*

Les pincettes pour objets en plastique permettent d'accrocher fermement les accessoires de plastique légers (gobelets, couvercles, etc.).

Pressez la pince pour objets en plastique contre le panier tel qu'indiqué, jusqu'à ce qu'il s'encliquette.



\* option facultative qui peut être ou ne pas être incluse avec votre lave-vaisselle

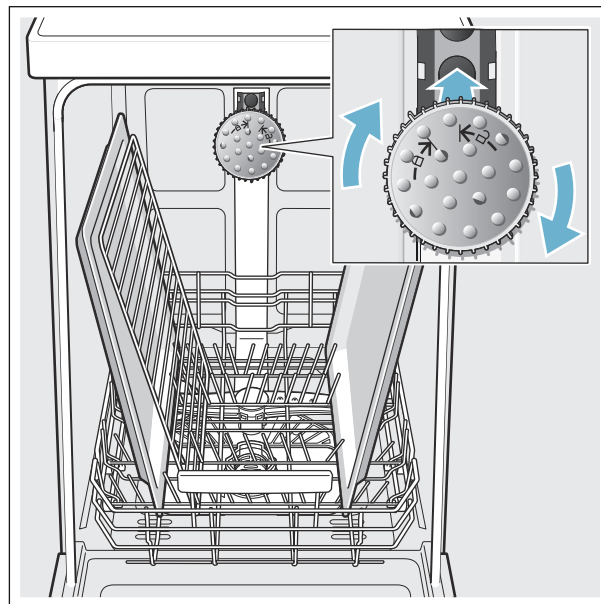
### Gicleur pour objets extra hauts\*

Les plateaux, les grilles ainsi que les grandes assiettes (plats à pâtes, assiettes creuses, assiettes à dîner) peuvent être nettoyés avec cette tête de lavage.

### Insérez la tête de lavage comme ceci :

1. Retirez le panier supérieur [22].
2. Insérez la tête de lavage comme montré dans l'illustration et tournez-la vers la droite.

La tête de lavage est maintenant engagée.



### Remarques

- Gardez dégagé l'orifice de ventilation sur le côté gauche de la cuve à détergent en plaçant les articles de grande taille comme les planches à découper en plastique et les grandes plaques à pâtisserie au centre ou sur le côté droit du panier inférieur.
- Assurez-vous que le lave-vaisselle est toujours utilisé avec le panier supérieur [22] ou la tête de nettoyage pour très grands objets.

Pour vous assurer que le jet de la tête de nettoyage atteigne tous les éléments, disposez les plaques à pâtisserie suivant l'illustration (2 plaques à pâtisserie et 2 grilles au maximum).

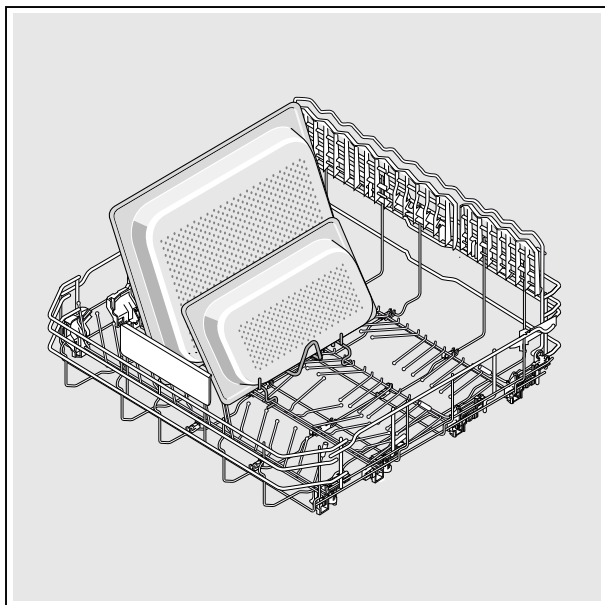
**AVIS :** Pour éviter d'endommager le lave-vaisselle, ne remontez pas le panier supérieur [22] sans avoir retiré le gicleur pour objets très grands(B).

\* option facultative qui peut être ou ne pas être incluse avec votre lave-vaisselle

**Pièce pour récipients Gastro Norm\***

Cette pièce vous permet d'empiler plusieurs récipients Gastro Norm ou ustensiles plats similaires selon un certain angle sur le panier inférieur.

Vous pouvez retirer cette pièce au besoin.



\* option facultative qui peut être ou ne pas être incluse avec votre lave-vaisselle

**Retrait de la vaisselle**

Lors du retrait de la vaisselle, il est recommandé de décharger le panier inférieur au préalable. Ensuite, déchargez le panier à couverts suivi par le panier supérieur et le 3ème panier.

**Remarque :** Les plats sont plus susceptibles de s'ébrécher lorsqu'ils sont déchargés avant d'être refroidis.

**Réglage de la hauteur du panier\***

Au besoin, la hauteur du panier supérieur [22] peut être ajustée pour libérer plus d'espace pour les ustensiles de grande taille, dans le panier supérieur comme inférieur.

**Hauteur de l'appareil 81,5 cm (32 po)**

Avec le troisième panier	Panier supérieur	Panier inférieur
Configuration 1 ø max.	22 cm (8,6 po)	31 cm (12,2 po)
Configuration 2 ø max.	24,5 cm (9,6 po)	27,5 cm (10,8 po)
Configuration 3 ø max.	27 cm (10,6 po)	25 cm (9,8 po)

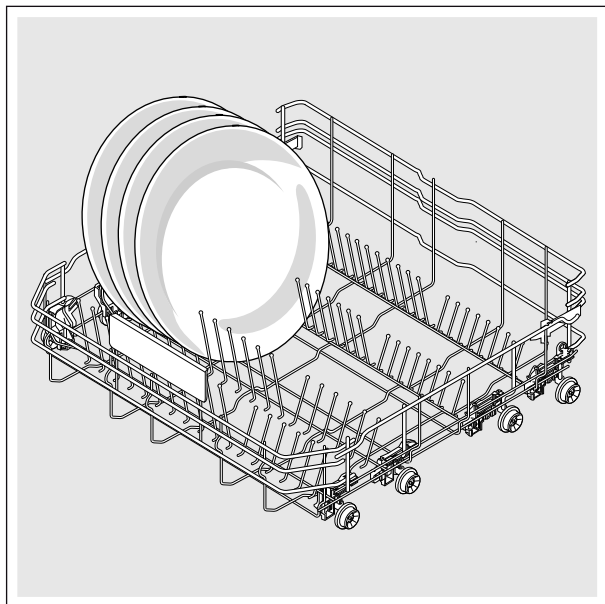
Avec le troisième panier	Panier supérieur	Panier inférieur
Configuration 1 ø max.	16 cm (6,3 po)	31 cm (12,2 po)
Configuration 2 ø max.	18,5 cm (7 po)	27,5 cm (10,8 po)
Configuration 3 ø max.	21 cm (8,2 po)	25 cm (9,8 po)

**Hauteur de l'appareil 86,5 cm (32 po)**

Avec le troisième panier	Panier supérieur	Panier inférieur
Configuration 1 ø max.	24 cm (9,4 po)	34 cm (13,4 po)
Configuration 2 ø max.	26,5 cm (10,4 po)	30,5 cm (12 po)
Configuration 3 ø max.	29 cm (11,4 po)	28 cm (11 po)

Avec le troisième panier	Panier supérieur	Panier inférieur
Configuration 1 ø max.	18 cm (7 po)	34 cm (13,4 po)
Configuration 2 ø max.	20,5 cm (8 po)	30,5 cm (12 po)
Configuration 3 ø max.	23 cm (9 po)	28 cm (11 po)

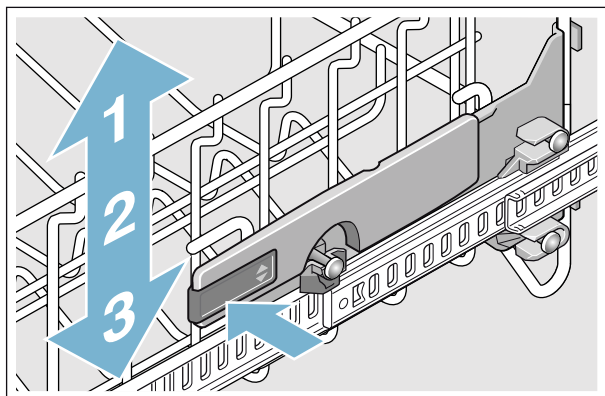
Disposez les plats et assiettes d'un diamètre compris entre 31 et 34 cm (12,2 po - 13,4 po) dans le panier inférieur [29] tel qu'illustré.



\* option facultative qui peut être ou ne pas être incluse avec votre lave-vaisselle

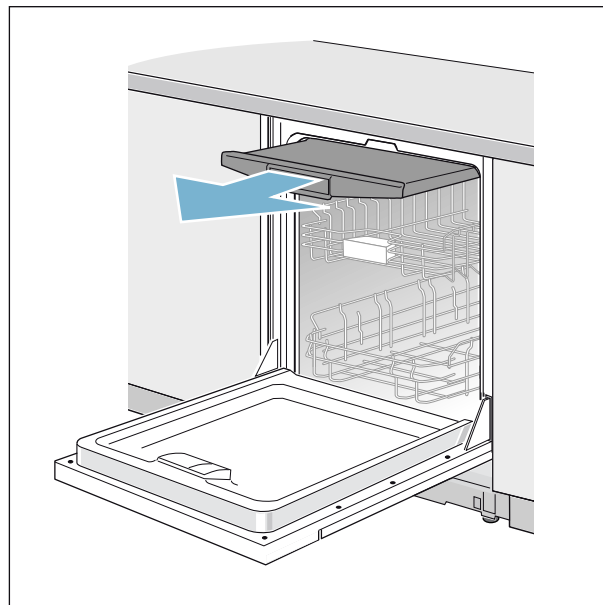
### Panier supérieur avec leviers latéraux

1. Sortez le panier supérieur [22].
2. Saisissez les côtés du panier par le bord supérieur.  
Ceci permet d'éviter toute chute soudaine.
3. Pour **abaisser** le panier supérieur, appuyez sur les deux leviers à gauche et à droite à l'extérieur de celui-ci. Le panier supérieur s'abaisse.



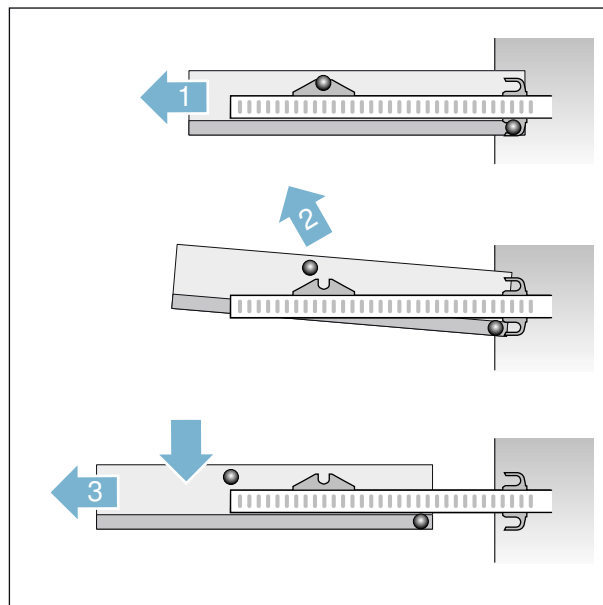
4. Pour **soulever** le panier supérieur, saisissez-le par les côtés de son bord supérieur.
5. Assurez-vous que les deux côtés du panier supérieur sont à la même hauteur.
6. Insérez le panier supérieur en le poussant.

### Retirer/installer le troisième panier



Retirez le troisième panier [21] :

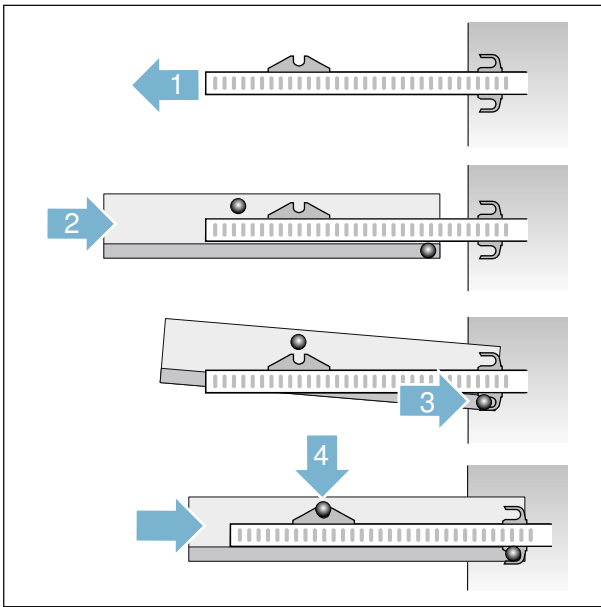
1. Sortez le troisième panier jusqu'au bout (1).
2. Soulevez l'avant du troisième panier hors de l'encoche (2).
3. Sortez le troisième panier et abaissez-le (3).



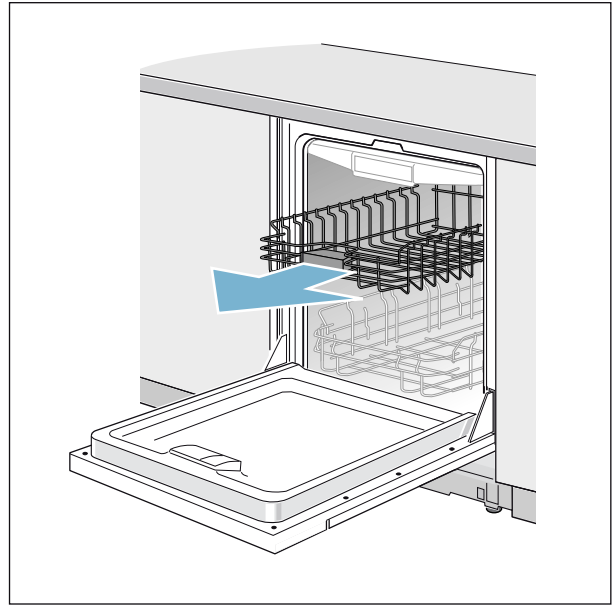


### Installez le troisième panier [21]

1. Sortez les glissières du troisième panier jusqu'au bout (1).
2. Insérez le troisième panier (2). Ce faisant, remarquez la position des crans (tel qu'illustré à l'étape 2).
3. Soulevez légèrement le troisième panier, puis insérez les crans à l'arrière dans les crochets de verrouillage inférieurs des rails (3).
4. Abaissez le troisième panier, puis appuyez sur les crans à l'avant (4). Le troisième panier s'encliquette alors dans sa position.
5. Insérez le troisième panier en le poussant.

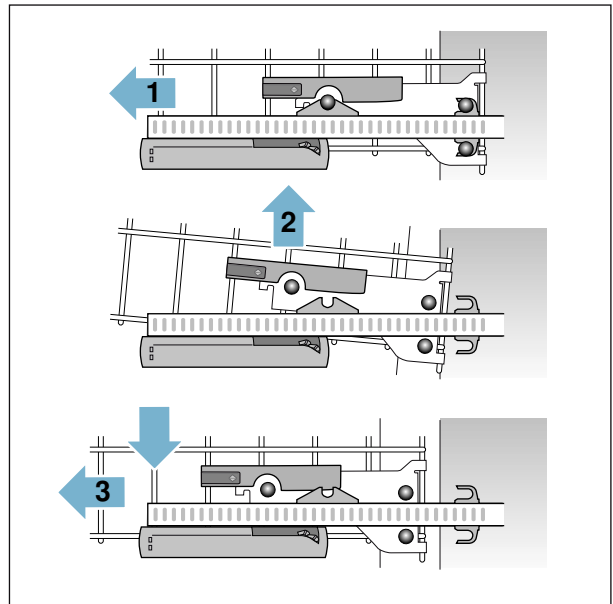


### Retirer/installer le panier supérieur



#### Retirez le panier supérieur [22] :

1. Sortez le panier supérieur jusqu'au bout (1).
2. Soulevez l'avant du panier supérieur hors de l'encoche (2).
3. Sortez le panier supérieur et abaissez-le (3).

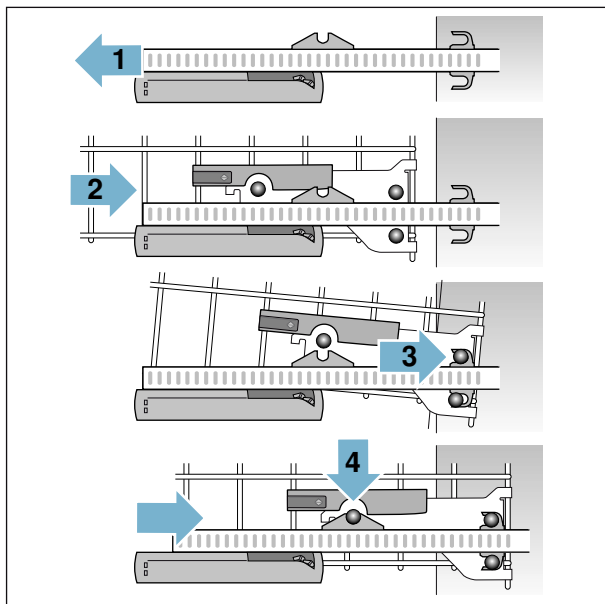


#### Installez le panier supérieur [22] :

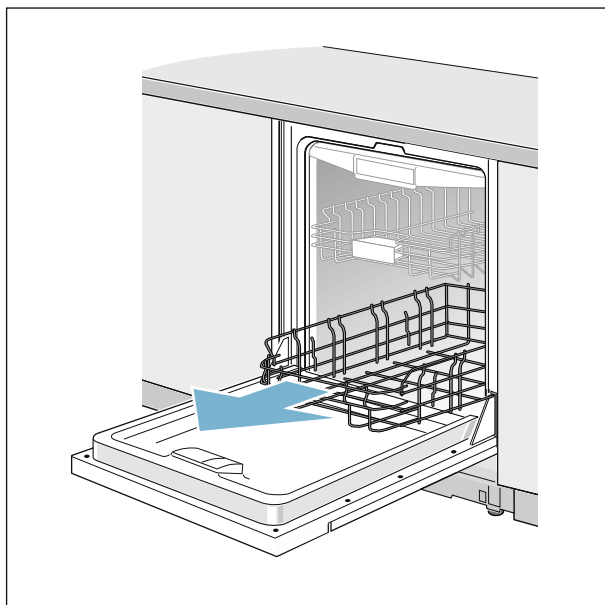
1. Sortez les glissières du panier supérieur jusqu'au bout (1).
2. Insérez le panier supérieur (2). Ce faisant, remarquez la position des crans (tel qu'illustré à l'étape 2).

## fr-ca Chargement du lave-vaisselle

3. Soulevez légèrement le panier, supérieur, puis insérez les crans à l'arrière dans les crochets de verrouillage (3).
4. Abaissez le panier supérieur, puis appuyez sur l'encoche à l'avant (4). Le panier supérieur s'encliquette alors dans sa position.
5. Insérez le panier supérieur en le poussant.

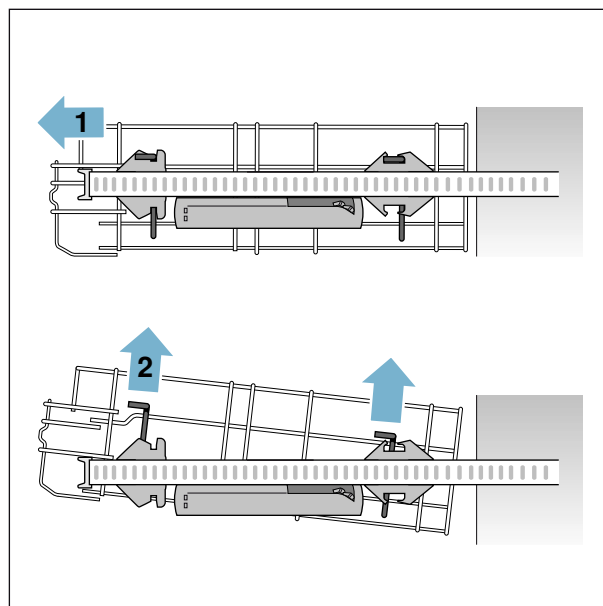


## Retirez/installez le panier inférieur



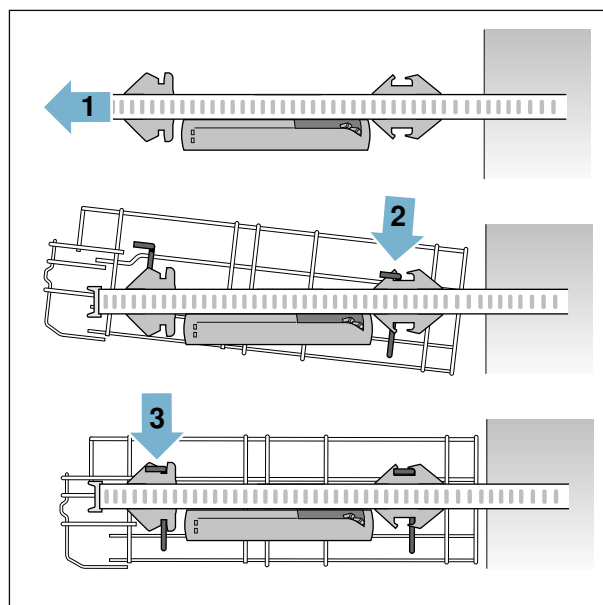
## Retirez/installez le panier inférieur [29] :

1. Sortez le panier inférieur jusqu'au bout (1).
2. Soulevez le panier supérieur, d'abord par le devant, puis par l'arrière (2).



## Installez le panier inférieur [29] :

1. Sortez les glissières du panier inférieur jusqu'au bout (1).
2. Insérez le panier inférieur dans les supports à l'arrière (2).
3. Soulevez le panier supérieur, par le devant et positionnez-le dans les support de devant (3).
4. Insérez le panier inférieur en le poussant.



## Détergent

Utilisez uniquement un détergent spécialement conçu pour les lave-vaisselle. Pour de meilleurs résultats, utilisez un détergent pour lave-vaisselle en poudre ou des comprimés détergents.

**AVIS :** Pour éviter d'endommager le lave-vaisselle :

- évitez d'utiliser des détergents pour vaisselle à la main dans votre lave-vaisselle.
- n'utilisez pas trop de détergent si l'eau utilisée est douce. L'utilisation d'une quantité excessive de détergent avec une eau douce peut rayer la verrerie et la porcelaine fine.

**Remarque :** Si vous ignorez la dureté de votre eau, utilisez 15 ml de détergent. Si nécessaire, ajoutez la quantité minimale nécessaire au nettoyage impeccable de vos ustensiles de cuisine.

## Ajout de détergent

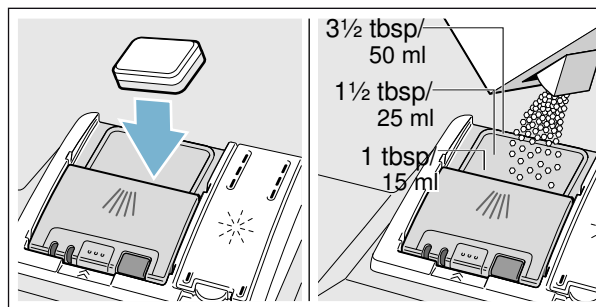
1. Si le distributeur de détergent [31] demeure fermé, actionnez la barre de verrouillage [32] pour l'ouvrir.
2. Ne versez du détergent que dans le distributeur de détergent sec [31]. Ne remplissez pas le distributeur de détergent outre mesure.

En cas d'utilisation de comprimés détergents, placez-les de telle sorte qu'ils n'entrent pas en contact avec le couvercle. Insérez-les à plat et non sur leur côté.

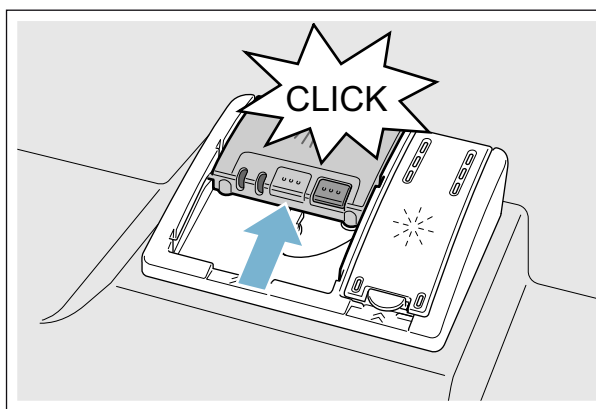
**Remarque :** Ne placez pas les comprimés détergents dans le compartiment à détergent [24]. Placez les comprimés ou d'autres formes de détergent directement dans le distributeur de détergent [31].

3. Dosage : voir les instructions du fabricant sur l'emballage. Utilisez un distributeur de détergent gradué.

1/4 à 1 1/2 cuillères à soupe (20 ml–25 ml) suffisent pour un degré de saleté normal. Si vous utilisez des comprimés, un seul suffit.



4. Fermez le couvercle du distributeur de détergent. Le couvercle s'encliquette dans sa position.



Le distributeur de détergent s'ouvre automatiquement au moment opportun selon le cycle de lavage. Le détergent liquide ou en poudre est dispersé dans l'appareil et dissout, les comprimés détergents tombent dans le bac à détergent où ils se dissolvent progressivement.

**Conseil :** Si les ustensiles sont peu souillés, une quantité de détergent légèrement inférieure à celle recommandée est suffisante.

Vous pouvez acheter les détergents et les produits d'entretien appropriés via notre site Internet ou notre service à la clientèle (voir au dos du manuel).

## Détergent multifonctionnels

En plus des détergents conventionnels, il existe des produits multifonctionnels. Ces produits contiennent non seulement du détergent, mais aussi un agent de rinçage et des substances qui remplacent les sels (3 en 1), ou selon leur composition (4 en 1, 5 en 1, etc.), un agent de protection contre les taches sur les verres ou encore un nettoyeur pour les ustensiles en acier inoxydable. Les détergents combinés ne fonctionnent que jusqu'à un certain degré de dureté de l'eau (généralement 375 ppm). Pour une dureté supérieure, des sels ainsi qu'un agent de rinçage doivent être utilisés.






Le programme de rinçage est ajusté automatiquement dès l'utilisation de détergents combinés pour assurer le meilleur rinçage est le meilleur séchage possibles.

### Remarques

- Si vous souhaitez ajouter davantage d'ustensiles une fois le cycle de nettoyage démarré, **n'utilisez pas** le compartiment [24] à comprimés détergents comme poignée du panier supérieur. Il se peut que le comprimé partiellement dissout s'y trouve déjà et que vous le touchiez.
- Ne **placez pas** de petits éléments à laver dans le compartiment à comprimés détergents [24], car ceci empêche le comprimé de se dissoudre convenablement.
- Vous obtiendrez les meilleurs résultats de rinçage et de séchage en utilisant des détergents classiques, ainsi que de sels et un agent de rinçage de manière séparée.
- Si les cycles de lavage sont courts, les comprimés détergents peuvent ne pas avoir assez de temps pour agir convenablement en raison de leur forme soluble. Des résidus de détergent peuvent même subsister à la fin du cycle. Il est recommandé d'utiliser une poudre détergente pour ces cycles de lavage.
- Le dosage d'un comprimé détergent est suffisant pour un cycle de lavage « Intensif » (pour certains modèles). Lorsque vous utilisez de la poudre détergente, vous pouvez en appliquer à l'intérieur de l'appareil.
- Même si l'indicateur de recharge de sels/d'agent de rinçage est allumé, le cycle de rinçage s'effectuera correctement avec les détergents combinés.
- Si vous utilisez un détergent avec une pellicule soluble dans l'eau : saisissez le détergent avec les mains sèches et placez-le dans un distributeur de détergent parfaitement sec, sans quoi le détergent risque de coller.
- Si vous passez de détergents combinés à des détergents classiques, assurez-vous que la valeur du système d'adoucissement de l'eau et la quantité d'agent de rinçage ont été réglés en conséquence.
- Détergents bio/écologiques : un détergent désigné comme « bio » ou « écologique » (respectueux de l'environnement) contient généralement une quantité moindre d'agents actifs ou est même parfois complètement exempt de certaines substances. Le pouvoir nettoyant de ces produits peut parfois être moindre.

## Cycles du lave-vaisselle

**Remarque :** Afin d'économiser de l'énergie, il est recommandé de régler l'option **Arrêt automatique** sur « Après 1 minute ».

Cycle de nettoyage	Usage recommandé	Option du cycle de nettoyage possible
<b>AUTO</b> 65 - 70 °C	Ce cycle de lavage nettoie les objets ayant servi à une cuisson au four, ou ceux souillés avec des aliments collés, durs et séchés. Il peut être nécessaire de laisser tremper ou de frotter préalablement ces ustensiles.	tout
<b>Lavage AUTO</b> 55 - 65 °C	Ce cycle convient aux chargements composés d'ustensiles souillés à des degrés divers. Il est optimisé selon le degré de souillure grâce à l'aide des capteurs.	tout
<b>AUTO délicat</b> 45 - 50 °C	Ce cycle convient aux ustensiles délicats. Il est optimisé selon le degré de souillure grâce à l'aide des capteurs.	tout
<b>Normal</b>  (voir la note au bas du tableau)	Recommandé pour une utilisation quotidienne, régulière ou typique pour le lavage complet d'un chargement plein de vaisselle à souillure normale.	tout <b>Remarque :</b> Pour obtenir un rendement optimal avec une consommation minimale d'énergie, il est recommandé de désactiver toutes les options et tous les paramètres disponibles à l'exception de l'option <b>Arrêt automatique</b> .
<b>Lavage d'1 heure</b> 	Nettoie les plats fraîchement souillés et faciles à nettoyer. Ce cycle a une durée réduite, mais il comprend malgré tout un cycle de séchage.	<b>Extra sec</b>
<b>Lavage rapide</b> 	Nettoie les plats légèrement souillés et faciles à nettoyer.	<b>Extra sec</b>
<b>Verre</b> 	Un cycle pour les plats légèrement souillés, idéal pour les plats ou l'argenterie sensibles à la température. Pour ce cycle, la température est réduite pour éviter d'endommager des ustensiles. Il est particulièrement utile pour éviter de ternir ou d'ébrécher les verres. <b>Remarque :</b> Certains verres sont plus susceptibles d'être ébréchés que d'autres en raison de leur procédé de fabrication.	tout
<b>Rinçage</b> 	Utilisez ce cycle si vous désirez faire un rinçage préalable de vos plats afin d'éviter les odeurs. Placez les plats non rincés dans le lave-vaisselle et sélectionnez le cycle <b>Rinçage</b> . Utilisez moins d'eau que le nécessite un lavage manuel et une puissance très faible.	

**Remarque :** L'étiquetage Energy Star se base sur le cycle de détection du niveau de saleté **Normal** ou **Régulier** comme suit : l'unité a été testée avec un distributeur de produit de rinçage (liquide) vide [30]. Une seule dose de détergent a été introduite dans le distributeur de détergent [31], aucun détergent n'étant utilisé dans le cycle de pré-lavage. L'appareil n'a pas été soumis à un processus d'essai tronqué tel que stipulé par les définitions décrites dans la procédure d'essai. Nous recommandons, pour les chargements de vaisselle tel que celui décrit dans le test de certification en matière de performance énergétique, que le panier soit placé à la position la plus élevée.

## Options de cycles du lave-vaisselle

### Zone intensive

Idéal pour un chargement mixte. Vous pouvez nettoyer les chaudrons et les poêles fortement souillés dans le panier inférieur avec des ustensiles souillés normalement dans le panier inférieur. La pression du jet dans le panier inférieur est augmentée et la température de séchage est légèrement plus élevée.

### Puissance >>

La durée du cycle est réduite de manière significative en choisissant l'option Puissance. La consommation énergétique est augmentée de 30 % en raison du chauffage intense.

## Informations sur le cycle de lavage

Pour économiser de l'énergie, ce lave-vaisselle dispose d'un système EcoSense dans lequel les capteurs du lave-vaisselle ajustent automatiquement les variations de longueur, de température et d'eau du cycle en fonction du niveau de souillure alimentaire et de la température de l'eau entrante. Les décisions prises par le « Contrôle intelligent » peuvent causer un ajustement

## Chargement partiel

Si vous n'avez que peu de vaisselle à laver (des verres, des tasses et des assiettes) vous pouvez choisir l'option Chargement partiel. Ceci permettra d'économiser de l'eau, de l'énergie et du temps. Il est recommandé d'utiliser légèrement moins de détergent que pour un chargement complet.

## Extra sec

Une température de séchage accrue lors du rinçage final ainsi qu'une phase de séchage plus longue permettent d'assurer un meilleur séchage, y compris de la vaisselle en plastique. La consommation énergétique de cette option est légèrement plus élevée.

intermittent du temps et de l'eau utilisée pour le cycle. **Les temps du cycle de lavage sont définis en fonction température d'alimentation en eau de 120°F (49° C).** Si la température d'alimentation en eau de votre maison est autre que 120°F (49° C), les temps de cycle de votre lave-vaisselle peuvent être affectés.

	<b>AUTO délicat</b> 45 - 50 °C	<b>Lavage AUTO</b> 55 - 65 °C	<b>AUTO*</b> 65 - 70 °C	<b>Normal</b>	<b>Lavage d'1 heure</b>	<b>Lavage rapide</b>	<b>Verre</b>	<b>Rinçage</b>
Temps de cycle en min.	80 - 85	105 - 129	110 - 135	130 - 135	60	30	70	9
Consom. d'eau en L (gal)	9,3 - 14,5 (2,5 - 3,8)	13,1 - 24,5 (3,5 - 6,5)	18,6 - 24,2 (4,9 - 6,4)	8,3 - 20,6 (2,2 - 5,4)	14,3 (3,8)	10,5 (2,8)	13 (3,4)	4,1 (1,1)
Temp. de nettoyage en °C (°F)	45 - 50 (113 - 122)	53 - 66 (127 - 150)	66 - 71 (150 - 160)	45 - 55 (113 - 131)	50 (122)	45 (113)	50 (122)	entrant
Temp. de rinçage en °C (°F)	62 (144)	70 (158)	72 (162)	62 - 69 (144 - 156)	70 (158)	50 (122)	60 (140)	entrant
<b>Zone intensive</b>								
Temps de cycle en min.	95 - 105	120-145	125-145	145-150	s/o	s/o	85	s/o
Consom. d'eau en L (gal)	9,3 - 14,5 (2,5 - 3,8)	13,1 - 24,5 (3,5 - 6,5)	18,6 - 24,2 (4,9 - 6,4)	8,3 - 20,6 (2,2 - 5,4)	s/o	s/o	13 (3,4)	s/o
Temp. de rinçage en °C (°F)	62 (144)	70 (158)	72 (162)	62 - 69 (144 - 156)	s/o	s/o	60 (140)	s/o

\*désinfecter

	<b>AUTO délicat 45 - 50 °C</b>	<b>Lavage AUTO 55 - 65 °C</b>	<b>AUTO* 65 - 70 °C</b>	<b>Normal</b>	<b>Lavage d'1 heure</b>	<b>Lavage rapide</b>	<b>Verre</b>	<b>Rinçage</b>
<b>Puissance</b>								
Temps de cycle en min.	60 - 70	75 - 90	95 - 110	95 - 105	s/o	s/o	60	s/o
Consom. d'eau en L (gal)	9,2 - 12,5 (2,4 - 3,3)	16,1 - 20,0 (4,3 - 5,3)	16,3 - 20,5 (4,3 - 5,5)	16,6 - 21,1 (4,4 - 5,6)	s/o	s/o	13,3 (3,5)	s/o
Temp. de rinçage en °C (°F)	63 (145)	72 (162)	72 (162)	69 (156)	s/o	s/o	60 (140)	s/o
<b>Chargement partiel</b>								
Temps de cycle en min.	75 - 80	75 - 90	115	110 - 120	s/o	s/o	65	s/o
Consom. d'eau en L (gal)	9,3 - 12,5 (2,5 - 3,3)	10,2 - 16,5 (2,7 - 4,4)	17,9 (4,8)	10,9 - 14 (2,9 - 3,7)	s/o	s/o	12 (3,2)	s/o
Temp. de rinçage en °C (°F)	62 (144)	70 (158)	72 (162)	69 (156)	s/o	s/o	60 (140)	s/o
<b>Extra sec</b>								
Temps de cycle en min.	115 - 125	125 - 150	130 - 150	140 - 155	80	50	100	s/o
Consom. d'eau en L (gal)	9,3 - 14,5 (2,5 - 3,8)	13,1 - 24,5 (3,5 - 6,5)	18,6 - 24,2 (4,9 - 6,4)	8,3 - 20,6 (2,2 - 5,4)	14,3 (3,8)	10,5 (2,8)	13 (3,4)	s/o
Temp. de rinçage en °C (°F)	72 (162)	72 (162)	72 (162)	72 (162)	72 (162)	72 (162)	72 (162)	s/o
*désinfecter								

**Remarque :** Seuls les cycles de désinfection ont été mis en place de manière à respecter les exigences de la Section 6 de la norme NSF/ANSI relative aux Équipements à usage résidentiel destinés à l'élimination de salissures et à la désinfection efficace. À cet effet, aucune indication ne spécifie, directement ou indirectement, que tous les cycles ont passé avec succès les tests de performance en matière de désinfection.

---

## Mise en marche du lave-vaisselle

---

**Remarque :** Avec les fonctions masquées, la porte doit être ouverte avant le changement des réglages et fermée une fois ces réglages effectués.

---

### AVERTISSEMENT

---

#### Risque de blessures !

Pour éviter des risques de blessures, faites toujours attention lorsque vous ouvrez la porte pendant ou après un cycle de lavage car des rejets d'eau chaude ou de vapeur peuvent survenir. N'ouvrez pas complètement la porte avant que les bruits d'eau n'aient cessés et que la vapeur ne soit dissipée.

---

## Protection contre une opération involontaire

Votre lave-vaisselle est équipé d'une fonction de verrouillage qui en empêche l'utilisation, par exemple par des enfants.

Après avoir réglé le lave-vaisselle, la porte doit être fermée dans les 4 secondes qui suivent, ou l'opération sera interrompue. Un signal apparaîtra alors sur le panneau de contrôle, vous invitant à appuyer de nouveau sur le bouton Démarrer et à fermer la porte.

Cette fonction s'active lorsque :

- vous appuyez sur Démarrer pour lancer un cycle de lavage
- vous réglez le temps de départ différé et appuyez sur Démarrer
- vous ouvrez la porte alors que le délai est enclenché
- vous ouvrez la porte au cours d'un cycle de lavage

**Remarque :** Il est impossible de désactiver cette fonction.

## Utilisation des boutons tactiles

Les boutons sont sensibles et doivent être légèrement touchés. Évitez que la graisse ou les particules d'aliments ne se déposent sur les boutons, cela peut activer le lave-vaisselle.

L'essuyage et le nettoyage peuvent également activer le lave-vaisselle. Pour un rendement optimal, touchez les boutons avec des mains nues et propres.

Pour nettoyer les boutons tactiles, essuyez-les avec un chiffon sec ou légèrement humide.

## Ouvrir la porte

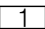

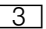
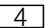
Pour ouvrir la porte, appuyez sur la partie centrale de celle-ci. L'appareil s'ouvre automatiquement.

Si vous avez activé la sécurité enfants, appuyez deux fois rapidement sur la partie centrale haute de la porte.

## Modification des réglages

Le lave-vaisselle a été configuré avec certains paramètres pour votre confort. Il est possible de modifier ces réglages d'usine.

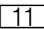
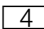
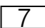

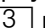
### Changez les paramètres comme suit :

1. Ouvrez la porte.
2. Appuyez sur le bouton MARCHE/ARRÊT .
3. Appuyez sur le bouton Information   durant 3 secondes jusqu'à ce que le message suivant soit affiché dans l'affichage digital  :

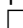
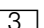
Faites défiler avec < >

Choisissez avec - +

Maintenez durant  3 sec.

4. Maintenez le bouton >  enfoncé jusqu'à ce que le paramètre désiré soit affiché dans l'affichage digital .
5. Effectuez le réglage à l'aide des boutons + - .
6. Appuyez et maintenez le bouton Information enfoncé   pendant 3 secondes.

Les paramètres sélectionnés ont été sauvegardés.

**Conseil :** Si vous souhaitez modifier plusieurs paramètres, commencez par les modifier un par un. Appuyez ensuite sur le bouton Information   durant 3 secondes. Ceci sauvegarde toutes les valeurs définies dans l'appareil.



## AquaSensor \*

L'AquaSensor est un outil de mesure optique (à barrière de lumière) qui évalue la turbidité de l'eau de rinçage.

L'AquaSensor est utilisé en fonction du cycle de lavage. S'il est activé, l'eau de rinçage « propre » peut être réutilisée pour le prochain rinçage et la consommation d'eau peut ainsi être réduite de 3 à 6 litres. Si l'eau est plus trouble, celle-ci est évacuée et remplacée par de l'eau claire. Pour les cycles de lavage automatiques, la température ainsi que la durée du cycle peuvent également être ajustés en fonction du degré de souillure.

\* option facultative qui peut être ou ne pas être incluse avec votre lave-vaisselle

## Affichage de l'heure

La durée du cycle de lavage est déterminée par la température de l'eau lors du cycle de lavage, la quantité de vaisselle, ainsi que son degré de souillure. Elle peut aussi varier selon le cycle de lavage choisi. Vous pouvez choisir d'afficher l'heure ou les heures/minutes restantes (« Fin à 15:20 » ou « Fin dans 3:25 », par exemple) avant la fin du cycle dans la fenêtre d'affichage.

## Réglage des capteurs

La séquence des cycles de lavage Auto est optimisée grâce aux capteurs. Ceux-ci ajustent la puissance des cycles de lavage Auto selon le degré et le type de souillure. Vous pouvez régler la sensibilité des capteurs selon 3 niveaux.

**Normal** : ce réglage est idéal pour un chargement mixte et des ustensiles fortement souillés. Il permet également d'économiser de l'énergie et de l'eau.

**Sensible** : ce réglage ajuste la puissance du cycle de lavage pour éliminer efficacement les restes de nourriture, même si le degré de souillure est faible. La consommation en énergie et en eau est ajustée en conséquence.

**Très sensible** : ce réglage ajuste la puissance du cycle de lavage pour éliminer les souillures les plus tenaces, comme les restes de nourriture séchés. Ce réglage est recommandé si vous utilisez des détergents biologiques ou écologiques, lesquels contiennent une quantité moindre d'agents actifs. La consommation en énergie et en eau est ajustée en conséquence.

## extraSec

Le rinçage final utilise une température supérieure qui améliore le résultat de séchage. La durée du programme peut augmenter légèrement. (Faites attention si des ustensiles délicats sont chargés) Vous pouvez activer/désactiver la fonction extraSec.

## Impact écologique

Lorsque la fonction Impact écologique est activée, la consommation d'eau et énergétique moyenne du cycle de lavage sélectionné est affichée un court instant dans l'affichage digital .

## AutoPowerOff (Arrêt automatique à la fin du cycle de lavage)

Pour économiser de l'énergie, le lave-vaisselle est arrêté 1 minute après la fin du cycle de lavage. Vous pouvez également modifier ce paramètre.

**Voici les réglages possibles :**

- **Arrêt** : l'appareil ne s'éteint pas automatiquement.
- **Après une minute** : l'appareil s'éteint après 1 minute.
- **Après deux heures** : l'appareil s'éteint après 2 heures.

## EmotionLight\*

L'EmotionLight  (lumière d'ambiance) s'allume lorsque la porte est ouverte, que l'appareil soit en marche ou à l'arrêt . Lorsque la porte est fermée, l'EmotionLight est éteinte. Vous pouvez choisir d'activer ou de désactiver l'EmotionLight.

**Remarque** : Veuillez remarquer que l'EmotionLight s'éteint automatiquement après 1 heure si la porte est ouverte.

\* option facultative qui peut être ou ne pas être incluse avec votre lave-vaisselle

## Projection du temps restant (affichage lors du cycle de lavage)\*

Durant le cycle de lavage, des informations supplémentaires sur le cycle sont projetées au sol, en face de l'appareil. Si le panneau du socle est vers l'avant ou si l'appareil est installé à la hauteur des yeux avec têtère affleurante, l'affichage ne sera pas visible.

Vous pouvez activer ou désactiver cet affichage.

\* option facultative qui peut être ou ne pas être incluse avec votre lave-vaisselle

## Infolight \*

Durant le cycle de lavage, un point lumineux est projeté au sol, en face de l'appareil. N'ouvrez pas la porte de l'appareil avant que le point ait disparu. Si la porte de l'appareil n'est pas complètement fermée, le point lumineux clignote\*. Si l'appareil est installé à la hauteur des yeux avec têtière affleurante, l'affichage ne sera pas visible. Vous pouvez activer ou désactiver Infolight.

\* option facultative qui peut être ou ne pas être incluse avec votre lave-vaisselle

## Changer le début du cycle de nettoyage

Vous pouvez changer le réglage de début du cycle de nettoyage.

## Volume de la sonnerie

La fin du cycle de lavage est indiquée par un signal sonore. Vous pouvez également modifier ce paramètre.

## Bouton de volume

Un signal sonore est émis lorsque vous appuyez sur un bouton du lave-vaisselle. Vous pouvez contrôler le volume de ce signal sonore. Si vous ne souhaitez pas avoir de signal sonore, vous pouvez le désactiver.

## Sécurité enfants\*

Le lave-vaisselle est équipé d'un système de sécurité enfants. Ce système empêche les enfants d'être exposés aux divers dangers que représente le lave-vaisselle.

Vous pouvez activer ou désactiver cette fonction. Lorsque la sécurité enfant est activée, il est plus difficile d'ouvrir la porte.

\* option facultative qui peut être ou ne pas être incluse avec votre lave-vaisselle

## Message de bienvenue

Lorsque vous mettez le lave-vaisselle sous tension, le logo de la marque apparaît. Vous pouvez désactiver l'affichage du logo de la marque.

## Réglages d'usine

Vous pouvez restaurer les réglages d'usine pour tous les paramètres.

## Mise sous tension de l'appareil

1. Ouvrez le robinet à fond.
2. Ouvrez la porte.
3. Appuyez sur le bouton MARCHE/ARRÊT .

Le cycle automatique de 55 à 65 °C a été défini par défaut au démarrage de l'appareil. Ce cycle de lavage est sélectionné si vous n'appuyez sur aucun autre bouton .

4. Appuyez sur le bouton DÉMARRER .
5. Fermez la porte.

Le cycle de lavage démarre.

**Remarque :** Votre lave-vaisselle est protégé contre les mises en marche involontaires. Si la porte de l'appareil reste ouverte durant plus de 4 secondes après que vous ayez appuyé sur le bouton Démarrer, l'opération est suspendue. Appuyez de nouveau sur le bouton Démarrer et fermez la porte de l'appareil.

## Temps de départ différé

Vous pouvez retarder le démarrage du cycle de lavage jusqu'à 24 heures. Selon le réglage de l'affichage de l'heure, la fin du cycle est indiquée par « Fin dans (3h25min, par exemple) » ou « Fin à (15:20, par exemple).

1. Ouvrez la porte.
2. Appuyez sur le bouton MARCHE/ARRÊT .
3. Sélectionnez le cycle de lavage .
4. Appuyez sur le bouton Démarrage différé .
5. Continuez à appuyer sur les boutons + -  jusqu'à l'obtention du délai désiré.
6. Appuyez sur le bouton DÉMARRER , le démarrage différé est activé.
7. Pour effacer le temps de démarrage différé, appuyez sur le bouton DÉMARRER  durant environ 3 secondes.

Le démarrage différé a été annulé.

8. Fermez la porte.

**Remarque :** Votre lave-vaisselle est protégé contre les mises en marche involontaires. Si la porte de l'appareil reste ouverte durant plus de 4 secondes après que vous ayez appuyé sur le bouton Démarrer, l'opération est suspendue. Appuyez de nouveau sur le bouton Démarrer et fermez la porte de l'appareil.

## Fin du cycle de lavage

\*Le cycle de nettoyage est terminé lorsque « Terminé » apparaît sur l'affichage digital [4].

\*Si la projection au sol est activée, la fin du cycle de nettoyage est affichée au sol.

\* option facultative qui peut être ou ne pas être incluse avec votre lave-vaisselle

## Mise hors tension de l'appareil

Peu de temps après la fin du cycle de lavage :

1. Ouvrez la porte.
2. Appuyez sur le bouton MARCHE/ARRÊT [1].
3. Fermer le robinet.
4. Sortez les ustensiles lorsque ceux-ci ont refroidi.

### AVERTISSEMENT

#### Risque de blessures !

Pour éviter des risques de blessures, faites toujours attention lorsque vous ouvrez la porte pendant ou après un cycle de lavage car des rejets d'eau chaude ou de vapeur peuvent survenir. N'ouvrez pas complètement la porte avant que les bruits d'eau n'aient cessés et que la vapeur ne soit dissipée.

## Interruption du cycle de lavage

### ATTENTION !

Une pression trop excessive peut provoquer l'ouverture de la porte et le ruissellement d'eau! Si la porte a été ouverte et que celle-ci est chaude ou que le raccordement est chaud, laissez-la toujours entrouverte quelques minutes, puis fermez-la.

1. Ouvrez la porte.
2. Appuyez sur le bouton MARCHE/ARRÊT [1].

Les DEL s'éteignent. Le cycle de lavage a été sauvegardé.

3. Pour poursuivre le cycle, appuyez de nouveau sur le bouton MARCHE/ARRÊT [1].
4. Fermez la porte.

**Remarque :** Votre lave-vaisselle est protégé contre les mises en marche involontaires. Si la porte de l'appareil reste ouverte durant plus de 4 secondes après que vous ayez appuyé sur le bouton Démarrer, l'opération est suspendue. Appuyez de nouveau sur le bouton Démarrer et fermez la porte de l'appareil.

## Arrêt du cycle de lavage (réinitialisation)

1. Ouvrez la porte.
2. Appuyez sur le bouton DÉMARRER [10] et maintenez-le enfoncé durant 3 secondes.

Le message « Programme arrêté » apparaît sur l'affichage digital [4].

3. Fermez la porte.

Le cycle de lavage dure environ 1 minute. Le message « Terminé » apparaît sur l'affichage digital [4].

4. Ouvrez la porte.
5. Appuyez sur le bouton MARCHE/ARRÊT [1].
6. Fermez la porte.

## Réglage des capteurs

La séquence des cycles de lavage Auto est optimisée grâce aux capteurs. Ceux-ci ajustent la puissance des cycles de lavage Auto selon le degré et le type de souillure. Vous pouvez régler la sensibilité des capteurs selon 3 niveaux.

**Normal :** ce réglage est idéal pour un chargement mixte et des ustensiles fortement souillés. Il permet également d'économiser de l'énergie et de l'eau.

**Sensible :** ce réglage ajuste la puissance du cycle de lavage pour éliminer efficacement les restes de nourriture, même si le degré de souillure est faible. La consommation en énergie et en eau est ajustée en conséquence.

**Très sensible :** ce réglage ajuste la puissance du cycle de lavage pour éliminer les souillures les plus tenaces, comme les restes de nourriture séchés. Ce réglage est recommandé si vous utilisez des détergents biologiques ou écologiques, lesquels contiennent une quantité moindre d'agents actifs. La consommation en énergie et en eau est ajustée en conséquence.

## Entretien et maintenance

Une inspection régulière et une maintenance de votre appareil vous aideront à prévenir d'éventuelles pannes. Ceci vous permet de sauver du temps et de parer à de nouveaux problèmes.

### État général du lave-vaisselle

- Recherchez dans le compartiment de rinçage d'éventuelles traces de graisse ou de calcaire.

#### Si vous trouvez de tels dépôts :

- Remplissez le distributeur [31] de détergent. Lancez un cycle de lavage sans aucun ustensile, à la température la plus élevée possible.

### ⚠ AVERTISSEMENT

#### Risques pour la santé des détergents contenant du chlore !

N'utilisez que des détergents sans chlore.

#### AVISES :

- N'utilisez jamais un nettoyeur à vapeur pour laver votre lave-vaisselle. Le fabricant ne sera en aucun cas responsable des dégâts causés.
- Essuyez régulièrement la face avant de l'appareil à l'aide d'un chiffon légèrement humide (avec de l'eau et une petite quantité de savon liquide). Évitez d'utiliser des éponges, car elles pourraient rayer les surfaces.
- Appareils en acier inoxydable : pour prévenir la corrosion, n'utilisez pas d'éponges ou de détergents à base de chlore. Utilisez un produit à polir pour acier inoxydable pour sceller et protéger la surface. N'utilisez pas de nettoyants ou de lingettes à base de chlore.
- Nettoyez régulièrement les bords extérieurs du panneau intérieur de la porte afin d'éliminer les résidus déposés lors du chargement normal. Si des taches apparaissent sur l'acier inoxydable, assurez-vous que l'agent de rinçage est rempli et fonctionne correctement.
- Nettoyez régulièrement le joint de la porte avec un chiffon légèrement humide afin d'éliminer les particules alimentaires déposées lors du chargement normal, qui peuvent provoquer des odeurs. Un joint de porte souillé peut empêcher le bon verrouillage de celle-ci.

### ⚠ AVERTISSEMENT

Faites preuve de prudence lorsque vous démontez les pièces pour le nettoyage, car certains débris peuvent être tranchants.

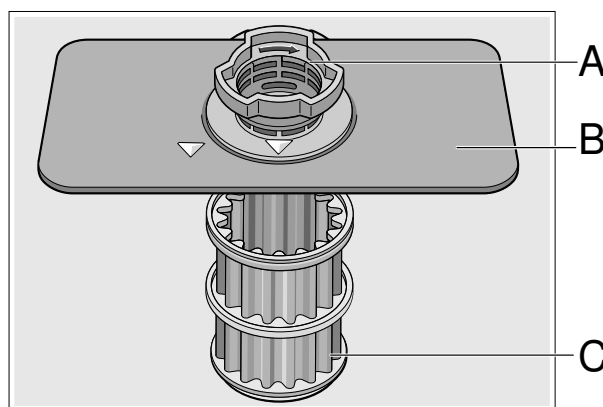
### Sels et agent de rinçage

Rechargez les sels et/ou l'agent de rinçage dès que les indicateurs de recharge [6] s'allument sur la façade [5] de l'appareil

### Filtres

#### Éléments de filtrage

Le système de filtration est constitué de trois éléments.



#### A Filtre à gros éléments

Il empêche les objets qui ne devraient pas être placés dans votre lave-vaisselle d'endommager le système de pompage du lave-vaisselle ou d'obstruer le système d'évacuation de votre maison.

#### B Filtre fin plat

Il empêche les particules d'aliments d'entrer dans la chambre de lavage et dirige ces particules vers le micro-filtre.

#### C Micro-filtre

Il dirige les particules les plus petites vers le système de plomberie de la maison.

#### Intervalles de nettoyage

Le système de filtration est conçu de manière à minimiser l'entretien et à réduire les bruits tout en assurant un rendement de nettoyage élevé et une faible consommation d'énergie.

Selon les habitudes d'utilisation et la dureté de l'eau, le système de filtration nécessite un certain entretien afin de garder son efficacité.

Vous pouvez nettoyer le système de filtration :

- lorsque vous y trouvez des résidus d'aliments ou si des éléments sont retenus dans le filtre à gros éléments.
- En cas de baisse d'efficacité ou si un film granuleux se forme sur la vaisselle.

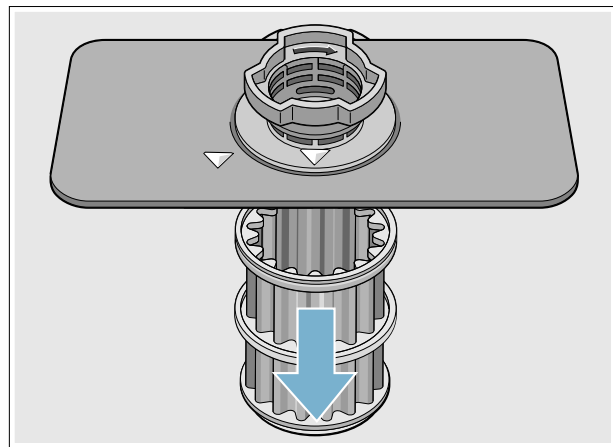
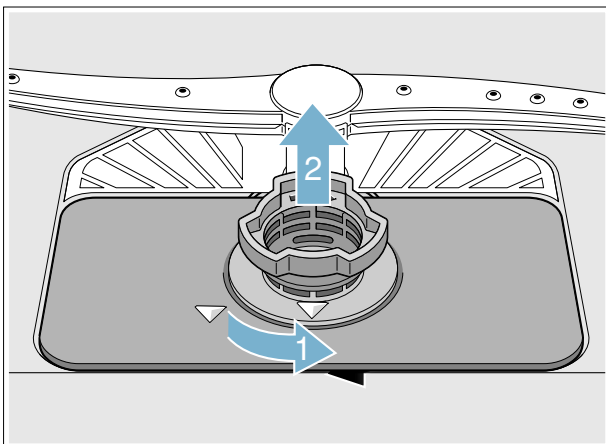
En cas de nettoyage de résidus alimentaires à incrustation normale raclés avant l'insertion de la vaisselle dans l'appareil, dans un ménage où le lave-vaisselle fonctionne un jour sur deux, le filtre de l'appareil doit être nettoyé :

Intervalle de nettoyage	Utilisez ce paramètre,
3 fois par an	si vous rincez avant le chargement
4 fois par an	si vous grattez simplement avant le chargement
6 fois par an	si vous ne rincez ou ne grattez pas avant le chargement
12 fois par an	si votre eau est dure

**Remarque :** Nettoyez le filtre après le lavage d'une vaisselle à grande quantité de résidus alimentaires ou d'une vaisselle à forte teneur en fécule afin de garder un rendement optimal.

**Pour vérifier ou nettoyer le système de filtration :**

1. Recherchez des traces de résidus dans les filtres après chaque cycle de lavage.
2. Dévissez le filtre à gros éléments tel qu'illustré et retirez tout le système de filtration.



3. Retirez tout résidu et nettoyez les filtres en les rinçant à l'eau claire.

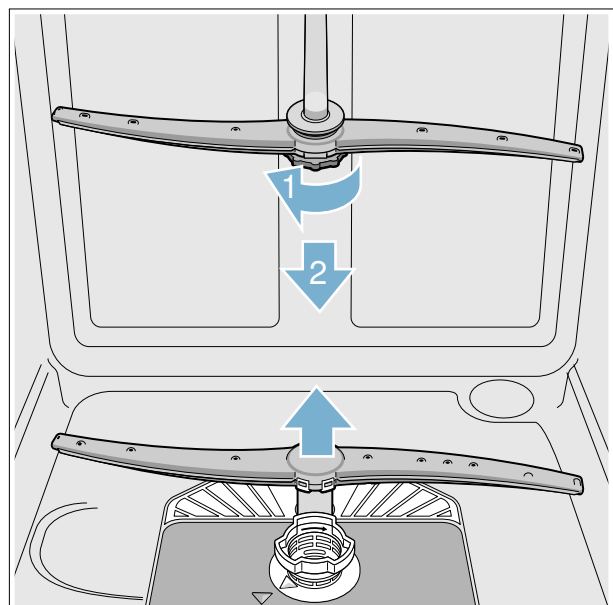
**Remarque :** n'utilisez pas de brosses abrasives ou de chiffons de laine, etc., car ils pourraient endommager le filtre.

4. Remontez le système de filtration dans l'ordre inverse et fixez le filtre à gros éléments en le vissant jusqu'à ce que les flèches de marquage soient alignées.

## Bras gicleurs

Le calcaire et des contaminants dans l'eau de rinçage peuvent bloquer les buses ainsi que les articulations des bras de pulvérisation [23] et [25].

1. Recherchez d'éventuelles obstructions des buses au bout des bras de pulvérisation.
2. Dévissez le bras de pulvérisation supérieur [23] (1) et retirez-le en tirant vers le bas (2).
3. Retirez le bras de pulvérisation inférieur [25] en le tirant vers le haut.



- Nettoyez les bras de pulvérisation à l'eau claire.
- Remontez les bras de pulvérisation.

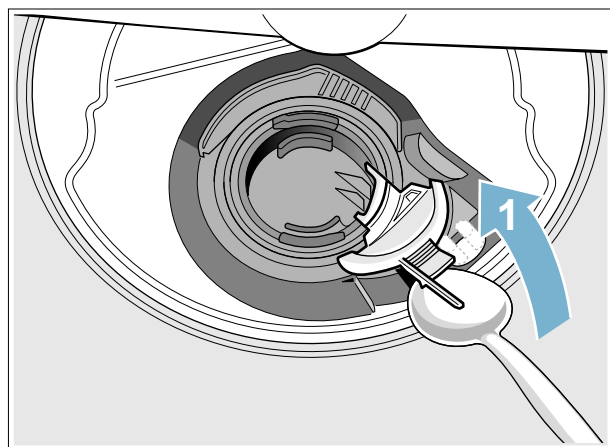
## Pompe pour eaux résiduaires

De gros résidus alimentaires présents dans l'eau de rinçage et non retenus par les filtres peuvent obstruer la pompe pour eaux résiduaires. Dans ce cas :

### AVERTISSEMENT

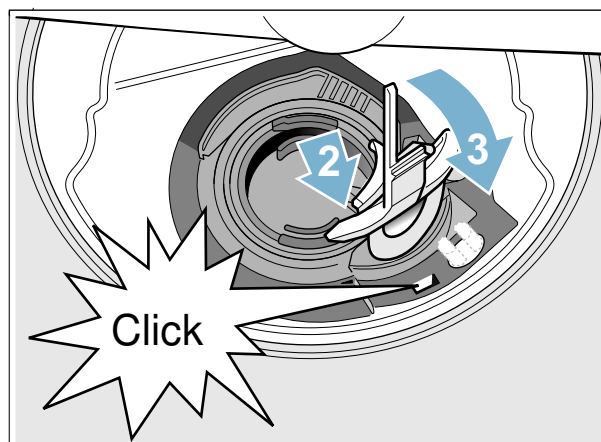
Soyez prudent lorsque vous démontez les pièces pour le nettoyage, car certains débris peuvent être tranchants.

- Débranchez l'appareil du réseau électrique.
- Sortez le panier supérieur [22] ainsi que le panier inférieur [29].
- Retirez les filtres [27].
- Videz l'eau résiduelle avec un récipient approprié - utilisez une éponge au besoin.
- À l'aide d'une cuillère, débloquez le couvercle de la pompe (tel qu'illustré) jusqu'à entendre un clic, saisissez-le ensuite et tirez-le jusqu'à ce qu'une légère résistance se fasse sentir, puis tirez-le vers l'avant (1). Retirez complètement le couvercle.



- Contrôlez le compartiment interne et éliminez tout objet étranger.

- Placez le couvercle de la pompe à sa position initiale (2), appuyez jusqu'à ce qu'il s'encliquette(3).



- Placez le couvercle à sa position initiale, appuyez et bloquez-le.
- Remontez les filtres.
- Replacez les paniers.

**Remarque :** La pompe de vidange ne fonctionnera pas correctement si elle n'est pas totalement insérée, jusqu'à ce qu'elle émette un « clic ».

## Rangement de l'appareil en cas d'inactivité

**AVIS :** Par temps chaud, avant d'aller en vacances, en plus de l'arrêt de la vanne principale, arrêtez également l'alimentation en eau au point le plus proche du lave-vaisselle. Par temps froid, veuillez respecter les instructions suivantes relatives à la préparation de l'appareil pour l'hiver.

## Préparation de l'appareil pour l'hiver

**AVIS :** En cas d'inutilisation de votre lave-vaisselle pour une période dans un emplacement aux températures hivernales (maison de vacances ou pendant une période de vacances), faites préparer votre lave-vaisselle pour l'hiver par un personnel qualifié.

## Dépannage

Les lave-vaisselle peuvent occasionnellement présenter des problèmes sans rapport avec un dysfonctionnement dudit lave-vaisselle. Les informations suivantes peuvent vous aider à résoudre un problème afférent au lave-vaisselle sans la nécessité de recourir à un professionnel.

**Remarque :** Si l'appareil s'arrête en cours de lavage, ou s'il ne se met pas en route pour une raison quelconque, lancez un cycle d'annulation (Réinitialisation) en premier lieu.

## ⚠ AVERTISSEMENT

**Des réparations inadaptées ou l'utilisation de pièces qui ne sont pas d'origine peuvent provoquer des dégâts considérables et mettre en danger l'utilisateur !**

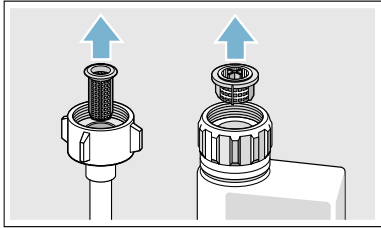
Faites effectuer toute réparation par un technicien qualifié. Si un élément doit être remplacé, utilisez toujours des pièces d'origine.

## Message d'erreur

Certaines défaillances sont indiquées dans la partie supérieure de la fenêtre d'affichage 4 ainsi que sur l'affichage frontal\*13. Des solutions possibles à ces problèmes sont fournies (par exemple : Système de filtration souillé (E22) --> Nettoyez les filtres).

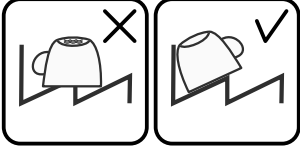
\* option facultative qui peut être ou ne pas être incluse avec votre lave-vaisselle

## Tableau des défaillances

Défaillance	Cause	Solution
Le code d'erreur <b>E:18</b> est allumé.	Le tuyau d'alimentation est coudé ou bouché.	Installez le tuyau d'alimentation sans coudes.
	Le robinet est fermé.	Ouvrez le robinet.
	Robinet obstrué ou entartré.	Ouvrez le robinet. Le débit doit être de 10 l/min lorsque l'alimentation en eau est ouverte.
Le filtre du tuyau d'alimentation en eau est bloqué.	Le filtre du tuyau d'alimentation en eau est bloqué.	Mettez l'appareil hors tension et débrancher la prise d'alimentation. Fermez le robinet. Débranchez le tuyau.
		 <p>Nettoyez le filtre du tuyau d'alimentation en eau. Raccordez le tuyau. Vérifiez la présence d'éventuelles fuites. Reconnectez l'appareil au réseau électrique. Mettez l'appareil sous tension.</p>
Le code d'erreur <b>E:07</b> est allumé.	L'ouverture de l'arrivée d'eau (sur le côté droit de l'appareil) est obstruée par de la vaisselle.	Disposez la vaisselle de manière à ce qu'elle n'obstrue pas l'arrivée d'eau.

Défaillance	Cause	Solution
Le code d'erreur <b>E:12</b> est allumé.	Résistance calcinée ou entartrée.	Nettoyez l'appareil à aide d'un produit de nettoyage pour lave-vaisselle ou d'un détartrant. Utilisez le lave-vaisselle avec le système d'adoucissement de l'eau et vérifiez son réglage.
Le code d'erreur <b>E:22</b> est allumé.	Les filtres <b>27</b> sont souillés ou obstrués.	Nettoyez les filtres.
Le code d'erreur <b>E:24</b> est allumé.	Le tuyau d'évacuation d'eau usée est coudé ou obstrué.	Installez le flexible d'alimentation sans coudes et retirez les résidus.
	Le raccord du siphon est scellé.	Examinez le raccord du siphon et ouvrez-le au besoin.
	Le couvercle de la pompe de drainage est mal fermé.	Fermez-le convenablement.
Le code d'erreur <b>E:25</b> est allumé.	La pompe de drainage est obstruée ou le couvercle de la pompe de drainage est mal fermé.	Nettoyez la pompe et fermez le couvercle convenablement
Le code d'erreur <b>E:27</b> est allumé.	Tension d'alimentation trop basse.	Il ne s'agit pas d'une défaillance de l'appareil. Faites vérifier la tension et l'installation électrique.
Un code d'erreur différent est affiché sur l'affichage digital. ( <b>E:01</b> à <b>E:30</b> )	Une défaillance technique a probablement eu lieu.	Mettez l'appareil hors tension en appuyant sur le bouton <b>MARCHE/ARRÊT 1</b> . Remettez l'appareil sous tension après un court moment.  Si le problème persiste, fermez le robinet et débranchez la prise d'alimentation. Appelez le service à la clientèle et mentionnez le code d'erreur.
L'indicateur de remplissage de sels <b>6</b> et/ou d'agent de rinçage <b>5</b> est allumé.	Pas d'agent de rinçage.	Remplissez l'agent de rinçage.
	Pas de sels.	Remplir les sels.
	Le capteur ne détecte pas les sels.	Utiliser un autre type de sels.
L'indicateur de remplissage de sels <b>6</b> et/ou d'agent de rinçage <b>5</b> n'est pas allumé.	L'indicateur de remplissage est éteint.	Activation/désactivation → "Produit de rinçage", → "Système d'adoucissement de l'eau / sels"
	Il reste encore suffisamment de sels/ d'agent de rinçage.	Vérifiez le niveau des indicateurs de remplissage.
Il reste de l'eau dans l'appareil à la fin du cycle de lavage.	Le système de filtration ou l'espace sous les filtres <b>27</b> est obstrué.	Nettoyez les filtres ainsi que la zone se trouvant sous ces derniers.
	Le cycle de lavage n'est toujours pas terminé.	Attendez la fin du cycle de lavage ou la réinitialisation de ce dernier.



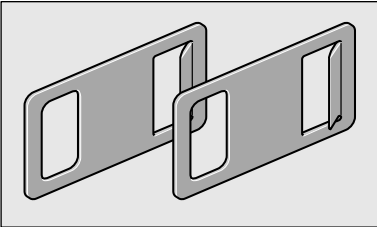
<b>Défaillance</b>	<b>Cause</b>	<b>Solution</b>
La vaisselle n'est pas sèche.	Distributeur d'agent de rinçage vide ou insuffisamment rempli.	Remplissez l'agent de rinçage.
	Cycle de lavage sélectionné sans séchage.	Sélectionnez un cycle de lavage avec séchage.
	Il reste de l'eau dans les creux de la vaisselle et de l'argenterie.	Disposez la vaisselle de façon inclinée, en particulier celle qui présente des dépôts d'eau une fois le cycle de lavage terminé.
		
	Le détergent tout en un a des propriétés de séchage médiocres	Utilisez un autre détergent tout en un avec de meilleures propriétés de séchage. L'utilisation d'un agent de séchage améliore également celui-ci.
extraSec pour améliorer le séchage non activé.	Activez extraSec.	
La vaisselle a été retirée trop tôt ou le séchage n'est pas encore terminé.	Attendez la fin du cycle de lavage ou attendez 30 minutes après la fin de celui-ci avant de retirer la vaisselle.	
L'agent de rinçage écologique a des propriétés de séchage médiocres.	Utilisez un agent de rinçage classique. Les produits écologiques peuvent avoir une efficacité limitée.	
La vaisselle en plastique n'est pas sèche.	Le plastique a des propriétés particulières.	Le plastique des propriétés d'emmagasinage de la chaleur moindres et sèche par conséquent moins bien.
L'argenterie n'est pas sèche.	L'argenterie n'est pas disposée correctement dans le panier prévu à cet effet.	Séparez l'argenterie si possible, ceci afin d'éviter les points de contact.
	L'argenterie n'est pas disposée correctement dans le troisième panier.	Disposez l'argenterie correctement et séparez-la si possible.
L'intérieur de l'appareil est humide après le cycle de rinçage.	Il ne s'agit pas d'une défaillance de l'appareil.	Le principe de séchage par condensation génère des gouttes d'eau requises à la bonne exécution du processus. L'humidité de l'air se condense sur les parois du lave-vaisselle avant d'être évacuée.

Défaillance	Cause	Solution
Traces de nourriture sur la vaisselle.	Pas assez d'espace entre les éléments, panier surchargé.	Disposez la vaisselle de manière adéquate en laissant suffisamment d'espace entre les éléments afin que les jets d'eau puissent atteindre toute leur surface. Évitez les points de contact.
	La rotation du bras de pulvérisation est entravée.	Disposez la vaisselle de sorte que le bras de pulvérisation puisse tourner sans entrave.
	Les buses du bras de pulvérisation sont bouchées.	Nettoyez les buses du bras de pulvérisation.
	Filtres [27] encrassés.	Nettoyez les filtres.
	Filtres [27] mal insérés et/ou non insérés.	Insérez les filtres correctement.
	Cycle de rinçage trop faible.	Choisissez un cycle de rinçage plus fort. Augmentez la sensibilité des capteurs.
	Le pré-lavage a enlevé la majorité des souillures, les capteurs ont alors choisi de lancer un cycle de lavage léger. Des souillures tenaces sont impossibles à enlever.	N'effectuez pas de rinçage préalable de la vaisselle. Ne retirez que le plus gros des souillures. Augmentez la sensibilité des capteurs. Le cycle de lavage Normal ou Intensif est recommandé.
	Les récipients longs et étroits ne sont pas bien rincés lorsqu'ils sont dans les coins du panier.	Ne placez pas ce type de récipient de manière trop oblique et ne les placez pas dans les coins.
Le panier supérieur [22] n'est pas à la même hauteur à gauche et à droite.	Repositionnez le panier supérieur de manière horizontale à l'aide des leviers latéraux.	
Le lave-vaisselle semble fonctionner trop longtemps	L'eau entrante n'est pas assez chaude.	Avant de démarrer un cycle, ouvrez le robinet d'eau chaude au niveau de l'évier le plus proche du lave-vaisselle.
	Le temps de cycle peut varier selon l'état de souillure et de l'eau.	Les capteurs dans le lave-vaisselle augmentent automatiquement le temps du cycle pour assurer un bon lavage lorsque la souillure est détectée.
	Le distributeur de [30] produit de rinçage est vide.	Ajoutez le produit de rinçage.
	Lave-vaisselle connecté à l'alimentation en eau froide. <b>Remarque :</b> Vérifiez la durée spécifique du cycle de lavage.	Vérifiez que le lave-vaisselle est connecté à la plomberie d'alimentation en eau chaude.

<b>Défaillance</b>	<b>Cause</b>	<b>Solution</b>
Résidus de détergent.	Le couvercle du distributeur [31] de détergent est bloqué par la vaisselle et ne peut pas s'ouvrir complètement.	La vaisselle ne doit pas être placée au-dessus du compartiment détergent [24]. Cela peut bloquer le couvercle du distributeur de détergent et l'empêcher de s'ouvrir complètement. Ne placez pas de vaisselle ou de distributeur de parfum dans le compartiment à détergent.
	Le couvercle du distributeur à détergent [31] est bloqué par le comprimé détergent.	Le comprimé détergent doit être déposé à plat et non sur le côté.
	Comprimés détergents utilisés dans le cycle de lavage court ou rapide. Les comprimés détergents n'ont pas le temps de se dissoudre complètement dans le cycle de lavage court ou rapide.	Le temps de dissolution des comprimés détergents est trop long pour un cycle de lavage court. Utilisez un détergent en poudre ou sélectionnez un cycle de lavage plus fort.
	Les propriétés de nettoyage et de dissolution sont réduites après un temps d'entreposage prolongé ou si le détergent est en morceaux.	Changez de détergent.
Taches d'eau sur les parties en plastique.	La formation de gouttelettes sur les surfaces en plastique est physiquement impossible à éviter. Des traces d'eau sont visibles après le séchage.	Utilisez un cycle de lavage plus fort (avec davantage de changements d'eau). Disposez la vaisselle de manière inclinée. Utilisez un agent de rinçage. Au besoin, sélectionnez une valeur d'adoucissement de l'eau plus élevée.
Dépôt de pellicules solubles à l'intérieur de l'appareil ou sur la porte.	Dépôt de substances du détergent. Ces dépôts ne peuvent généralement pas être retirés à l'aide de produits chimiques (nettoyant pour lave-vaisselle, etc.).	Changez de marque de détergent. Nettoyez l'appareil à la main.
	Si une pellicule blanche est présente dans le fond de l'appareil, le système d'adoucissement de l'eau a été réglé sur une valeur trop faible.	Choisissez une valeur plus élevée et changez de détergent si besoin.
	Le couvercle du distributeur à sel [26] n'est pas fermé.	Fermez convenablement le couvercle du distributeur à sel.
	Uniquement pour le verre : les débuts de corrosion sur le verre ne peuvent être qu'essuyés en apparence.	Voir « Dégâts causés à la verrerie et l'argenterie ».

Défaillance	Cause	Solution
Dépôts calcaires blancs et tenaces sur la vaisselle, les parois ou la porte.	Dépôt de substances du détergent. Ces dépôts ne peuvent généralement pas être retirés à l'aide de produits chimiques (nettoyant pour lave-vaisselle, etc.).	Changez de marque de détergent. Nettoyez l'appareil à la main.
	Le réglage de la dureté de l'eau est incorrect ou la dureté de l'eau est supérieure 800 ppm.	Réglez le système d'adoucissement de l'eau selon les instructions ou remplissez les sels.
	Le détergent biologique/écologique 3 en 1 n'est pas assez efficace.	Réglez le système d'adoucissement de l'eau selon les instructions ou utilisez des détergents séparés ( détergent de marque, sel, agent de rinçage).
	Sous-dosage du détergent.	Augmentez la quantité de détergent ou changez de détergent.
	Le cycle de rinçage sélectionné est trop faible.	Choisissez un cycle de rinçage plus fort.
Résidus de thé ou de rouge à lèvres sur la vaisselle.	La température de rinçage est trop basse.	Sélectionnez un cycle de lavage avec une température supérieure.
	Pas assez de détergent ou détergent inapproprié.	Utiliser un détergent et un dosage appropriés.
	Le pré-lavage a enlevé la majorité des souillures, les capteurs ont alors choisi de lancer un cycle de lavage léger. Des souillures tenaces sont impossibles à enlever.	N'effectuez pas de rinçage préalable de la vaisselle. Ne retirez que le plus gros des souillures. Augmentez la sensibilité des capteurs. Le cycle de lavage Normal est recommandé.
Pellicules colorées (bleu, jaune, marron) difficiles ou impossibles à enlever sur les parois ou sur la vaisselle en acier inoxydable.	Pellicule formée à partir de légumes (chou, céleri, pommes de terre, pâtes, etc.) ou de l'eau du robinet (manganèse).	Peut-être partiellement retirée avec un nettoyant pour lave-vaisselle ou par nettoyage à la main. Ces pellicules sont sans danger.
	Leur formation peut être causée par des éléments métalliques sur de l'argent ou de l'argenterie en aluminium.	Peut-être partiellement retirée avec un nettoyant pour lave-vaisselle ou par nettoyage à la main.
Dépôts colorés (jaune, orange, marron) à l'intérieur de l'appareil (principalement au fond) faciles à enlever.	Pellicules savonneuses formées à partir de souillures et de substances provenant de l'eau du robinet (calcaires).	Vérifiez le bon fonctionnement du système d'adoucissement de l'eau (remplissez les sels) ou, si vous utilisez un détergent tout en un (comprimés), activez le système d'adoucissement de l'eau.
Décoloration des pièces en plastique à l'intérieur de l'appareil.	Les pièces en plastique à l'intérieur de l'appareil peuvent se décolorer au fil de l'utilisation celui-ci.	Cette décoloration est normale et n'empêchera pas le lave-vaisselle de fonctionner correctement.
Pièces en plastique décolorées.	La température de rinçage est trop basse.	Sélectionnez un cycle de lavage avec une température supérieure.
	Le pré-lavage a enlevé la majorité des souillures, les capteurs ont alors choisi de lancer un cycle de lavage léger. Des souillures tenaces sont impossibles à enlever.	N'effectuez pas de rinçage préalable de la vaisselle. Ne retirez que le plus gros des souillures. Augmentez la sensibilité des capteurs. Le cycle de lavage Normal est recommandé.

<b>Défaillance</b>	<b>Cause</b>	<b>Solution</b>
Taches amovibles sur les verres, verres et argenterie avec une apparence métallique.	Trop d'agent de rinçage.	Réglez la quantité d'agent de rinçage à une valeur moins élevée.
	Pas d'agent de rinçage ou valeur définie trop faible.	Ajoutez de l'agent de rinçage et vérifiez le dosage (valeurs recommandées 4 ou 5).
	Résidus de détergent déposés au cours du cycle de rinçage final. Le couvercle du distributeur de détergent est bloqué par la vaisselle et ne peut pas s'ouvrir complètement.	Le couvercle du distributeur de détergent ne doit pas être bloqué par la vaisselle. Ne placez pas de vaisselle ou de distributeur de parfum dans le compartiment à détergent.
	Le prélavage a enlevé la majorité des souillures, les capteurs ont alors choisi de lancer un cycle de lavage léger. Des souillures tenaces sont impossibles à enlever.	N'effectuez pas de rinçage préalable de la vaisselle. Ne retirez que le plus gros des souillures. Augmentez la sensibilité des capteurs. Le cycle de lavage Normal est recommandé.
Verres ternis de manière irréversible.	Verres non adaptés au lavage en lave-vaisselle.	Utilisez des verres adaptés au lavage en lave-vaisselle. Évitez l'exposition prolongée à la vapeur (phase ayant lieu une fois le cycle de lavage terminé). Utilisez un cycle de lavage à basse température. Réglez le système d'adoucissement de l'eau selon la dureté de l'eau (choisissez une valeur inférieur d'un point si besoin). Utilisez un détergent contenant un agent qui protège le verre.
Points de rouille sur l'argenterie.	L'argenterie résiste mal à la rouille. Les lames des couteaux sont fréquemment plus sévèrement touchées.	Utilisez de l'argenterie résistante à la corrosion.
	L'argenterie rouillera également si des parties rouillées sont rincées en même temps (poignées de casseroles, paniers à ustensiles endommagés, etc.).	Ne lavez pas les éléments rouillés.
	Trop de sels dans l'eau de rinçage, à cause du couvercle du distributeur de sel qui n'a pas été fermé convenablement ou parce que des sels ont été versés à côté lors du remplissage.	Fermez le couvercle du distributeur convenablement ou retirez les sels versés à côté.
L'appareil ne peut pas être mis sous tension ou il ne fonctionne pas.	Défaillance.	Débranchez l'appareil du réseau électrique, débranchez la fiche secteur ou retirez le fusible. Attendez au moins 5 secondes, puis rebranchez l'appareil au réseau électrique.

Défaillance	Cause	Solution
L'appareil ne se met pas en marche.	Le fusible de réseau a peut-être brûlé ou le disjoncteur s'est peut-être déclenché.	Vérifiez le fusible de réseau ou le disjoncteur.
	La porte peut ne pas être correctement verrouillée.	Appuyez sur l'interrupteur d'alimentation principale pour la mettre sous tension.
	L'unité peut ne pas être allumée.	Fermez complètement la porte.
	Le démarrage retardé peut être activé.	Pour le réinitialiser, veuillez vous référer à la rubrique « Démarrage différé » de ce manuel.
	La sécurité enfants est activée.	Désactivez la sécurité enfants. Veuillez vous référer à la rubrique « Sécurité enfants » de ce manuel, si besoin.
	La porte a probablement été fermée sans que le cycle ne soit préalablement sélectionné.	Sélectionnez un cycle et fermez la porte.
	Cordon d'alimentation non inséré.	Assurez-vous que le cordon d'alimentation est branché à la prise et raccordé à l'arrière de l'appareil. Vérifiez que la prise fonctionne.
	Le lave-vaisselle n'est peut-être pas connecté à l'alimentation en eau.	Vérifiez et rétablissez l'approvisionnement en eau.
	La porte n'est pas fermée correctement.	Fermez la porte.
	La portée est restée ouverte durant plus de 4 secondes après avoir appuyé sur le bouton DÉMARRER.	Appuyez à nouveau sur le bouton DÉMARRER et fermez la porte de l'appareil dans les 4 secondes qui suivent (voir « Protection contre les utilisations non désirées »).
Le cycle de lavage démarre automatiquement.	Vous n'avez pas attendu la fin du cycle de lavage.	Effectuez une réinitialisation. (voir « Annulation du cycle de lavage »).
La porte ne s'ouvre pas.	La porte n'est pas installée convenablement.	Installez la porte correctement à l'aide des instructions d'installation.
	La sécurité enfants est activée.	Appuyez deux fois rapidement sur la partie centrale du haut de la porte.
	L'appareil est déconnecté du secteur.	Vérifiez la prise secteur et les fusibles. Raccordez le dispositif de déverrouillage de secours à gauche et à droite de la partie supérieure de l'appareil et ouvrez la porte en tirant doucement sur le dispositif de déverrouillage de secours.
		
Porte et joints de porte souillés.		Nettoyez la porte et le joint de porte à l'aide d'un tissu humide légèrement imbibé de produit de nettoyage.
Le système de fermeture automatique de la porte n'est pas dans la position de départ.		Après avoir fermé la porte, attendez une seconde avant de pouvoir l'ouvrir à nouveau.

<b>Défaillance</b>	<b>Cause</b>	<b>Solution</b>
La porte ne ferme pas.	Le système de fermeture automatique de la porte n'est pas dans la position de départ.	Après avoir ouvert la porte, attendez une seconde avant de pouvoir la fermer à nouveau.
Le couvercle du distributeur de détergent ne peut être fermé.	Le distributeur de détergent ou le guide de son couvercle est bloqué par des résidus collants de détergent.	Retirez les résidus de détergent.
Résidus de détergent dans le distributeur de détergent [31] ou dans le compartiment à comprimé détergent [24].	Les bras de pulvérisation sont bloqués par la vaisselle et le détergent ne peut être rincé.	Assurez-vous que les bras de pulvérisation peuvent tourner librement.
	Le distributeur de détergent était humide lors du remplissage.	Ne versez du détergent que dans le distributeur de détergent sec.
L'appareil s'arrête en cours de cycle de lavage ou le cycle de lavage est interrompu	La porte n'est pas fermée correctement.	Fermez la porte.
	Ne placez pas de vaisselle ou de distributeur de parfum dans le compartiment à détergent. Le panier supérieur appuie contre la porte et l'empêche de fermer correctement.	Vérifiez si le panneau arrière est éventuellement comprimé, par exemple par une prise ou un support de flexible n'ayant pas été retiré.
	Coupure d'alimentation électrique et/ou d'eau.	Rétablissez l'alimentation électrique ou d'eau.
Les valves de remplissage font un bruit important.	Cela dépend de votre installation domestique et n'est pas une défaillance de l'appareil. Aucun effet sur le fonctionnement de l'appareil.	Pas de solution.
Bruits de chocs ou de casse.	Le bras de pulvérisation heurte la vaisselle, celle-ci n'est pas disposée correctement.	Disposez la vaisselle de manière à ce que le bras de pulvérisation ne la touche pas.
	Si ces bruits surviennent alors que le chargement est léger, il s'agit alors des jets d'eau qui touchent la cuve de lavage.	Chargez davantage l'appareil ou disposez la vaisselle de manière plus uniforme dans celui-ci.
	La vaisselle légère bouge durant le cycle de lavage.	Disposez la vaisselle légère de manière sûre.
Formation de mousse inhabituelle.	Nettoyez manuellement le liquide dans le distributeur d'agent de rinçage.	Remplissez immédiatement le distributeur d'agent de rinçage.
	Rincez l'agent de rinçage ayant débordé.	Retirez l'agent de rinçage à l'aide d'un tissu.

---

## Service à la clientèle

---

Votre lave-vaisselle ne nécessite pas d'entretien autre que les mesures décrites dans la rubrique Entretien et maintenance du présent manuel. En cas de défaillance de votre lave-vaisselle, veuillez vous référer à la rubrique Guide de dépannage du présent manuel, avant de contacter le service client. Si la maintenance est nécessaire, contactez votre revendeur ou installateur, ou un centre de service agréé. N'essayez pas de réparer votre appareil vous-même. Tout travail effectué par un personnel non autorisé peut annuler la garantie.

En cas de problème avec votre lave-vaisselle et si vous n'êtes pas satisfait du service que vous avez reçu, veuillez suivre les étapes suivantes jusqu'à ce que le problème soit résolu à votre entière satisfaction :

1. Contactez votre installateur ou le Fournisseur de services agréé Gaggenau® de votre région.
2. Envoyez-nous un courriel à partir de la rubrique de service à la clientèle de notre site Internet, [www.gaggenau-usa.com](http://www.gaggenau-usa.com)
3. Contactez-nous au **877-442-4436**
4. Écrivez-nous :

Gaggenau®  
1901 Main Street, Suite 600  
Irvine, CA 92614  
USA

Veuillez vous assurer d'indiquer les informations relatives à votre modèle ainsi qu'une explication du problème et la date à laquelle celui-ci a débuté. Vous trouverez les informations relatives au modèle et au numéro de série sur l'étiquetage se trouvant à l'extrémité de la porte du lave-vaisselle. Veuillez faire une copie de votre facture et conservez-la avec ce manuel. Pour bénéficier du service de garantie, il peut être demandé au client de présenter une preuve d'achat de l'équipement.

---

## Déclaration de la garantie limitée du produit

---

### Ce que couvre cette garantie et à qui elle s'applique :

La garantie limitée fournie par BSH Home Appliances (Gaggenau®) dans cet énoncé de garantie limitée s'applique seulement à l'appareil Gaggenau (le « Produit ») qui vous a été vendu à titre de premier acheteur, dans la mesure que le produit a été acheté :

- pour vos besoins, personnels (non-commerciaux), et qu'il a été utilisé, à tout moment, à des fins familiales normales ;
- neuf au détail (pas en tant qu'objet exposé, « en l'état », ou un modèle précédemment retourné), et non pour la revente, ou pour une utilisation commerciale ; et
- aux États-Unis ou au Canada, et est en tout temps demeuré dans le pays d'achat. Les garanties mentionnées dans le présent manuel s'appliquent uniquement au premier acquéreur du Produit et ne sont pas transférables.

Gaggenau se réserve le droit d'exiger une preuve d'achat à chaque réclamation au titre de la garantie afin de confirmer que le Produit tombe dans le champ d'application de la présente garantie limitée.

Assurez-vous de retourner votre carte d'enregistrement ; alors qu'il n'est pas nécessaire d'effectuer une couverture de garantie, il s'agit toutefois du meilleur moyen pour Gaggenau de vous contacter en cas d'émission d'un avis de sécurité ou d'un rappel de produit.

### Durée de la garantie

Gaggenau garantit que le Produit est exempt de défauts matériels et de défauts de production pour une période de mille huit cent vingt-cinq jours (1 825) à compter de la date d'achat. La période susmentionnée commence à partir de la date d'achat et ne saurait être limitée, prolongée, ou interrompue pour quelque raison que ce soit.

Ce Produit est également garanti contre tout défaut de matériau et de fabrication **apparent** (tels les éraflures sur l'acier inoxydable, les défauts d'aspect de la peinture ou de la porcelaine, les ébréchures, les bosselures, ou autres dégâts au fini du Produit), pendant une période de trente (30) jours à compter de la date d'achat ou de la date de clôture pour une nouvelle construction. Cette garantie relative à l'**apparence** exclut les légères variations de couleur



découlant des différences inhérentes aux pièces peintes et en porcelaine, ainsi que découlant des différences causées par l'éclairage de cuisine, l'emplacement du produit ou d'autres facteurs similaires. Cette garantie relative à l'apparence exclut plus particulièrement tout appareil électroménager en exposition, de plancher, « En l'état » ou de stock « B ».

## Réparer/Remplacer, comme recours exclusif

Pendant cette période de garantie, Gaggenau ou l'un de ses fournisseurs de services agréés réparera gratuitement votre Produit (sujet à certaines restrictions susmentionnées) si celui-ci présente des défauts matériels ou de fabrication. Si des tentatives de réparation du Produit ont été entreprises, sans succès toutefois, alors Gaggenau remplacera votre Produit (des modèles améliorés peuvent être mis à votre disposition, à la seule discrétion de Gaggenau, moyennant frais supplémentaires). Toutes les pièces et tous les composants retirés demeurent la propriété de Gaggenau à sa seule discrétion. Toutes les pièces remplacées et/ou réparées doivent assumer l'identité de la pièce originale aux fins de la présente garantie et cette dernière ne doit pas être prolongée en considération de telles pièces. La seule responsabilité de Gaggenau, en vertu des présentes, se limite à la réparation des Produits défectueux au départ de l'usine, par le biais d'un fournisseur de services Gaggenau pendant les heures de travail normales. Pour des considérations de sécurité et d'endommagement de propriétés, Gaggenau vous recommande vivement de ne pas essayer de réparer le Produit vous-même, ni de faire appel à un agent d'entretien non autorisé ; Gaggenau n'est en aucun cas responsable des réparations ou des travaux effectués par un agent non qualifié. Si vous faites appel à un agent d'entretien autre qu'un fournisseur de services agréé pour la réparation de votre Produit, **CETTE GARANTIE EST AUTOMATIQUEMENT ANNULÉE**. Les fournisseurs de service agréés désignent ces personnes ou entreprises ayant reçu des formations spéciales sur les produits Gaggenau, et qui ont, de l'avis de Gaggenau, une très bonne réputation en matière de service à la clientèle et d'aptitude technique (notez qu'elles sont des entités indépendantes et non des agents, partenaires, sociétés affiliées ou représentants de Gaggenau). Nonobstant ce qui précède, Gaggenau n'encourra aucune responsabilité pour le Produit si ce dernier est utilisé dans une zone éloignée (à plus de 100 miles d'un fournisseur de services agréé) ou s'il se trouve dans un environnement raisonnablement inaccessible, à risque, menaçant, ou hostile ; à cet effet, Gaggenau se chargera, à la demande, du paiement des travaux et pièces, et les enverra au fournisseur de services agréé le plus proche de votre localité, mais vous serez entièrement

responsable des frais de déplacement ou d'autres frais spéciaux encourus par l'entreprise de services, en espérant qu'elle accepte d'intervenir pour la réparation.

## Produit hors garantie

Gaggenau n'est pas tenu, légalement ou autrement, de faire des concessions, y compris des réparations, des partages de frais ou un remplacement du Produit une fois que cette garantie a expiré.

## Exclusions de garantie

La couverture de garantie décrite dans le présent manuel exclut tous les défauts ou dommages dont Gaggenau n'est pas directement responsable, y compris, sans pour autant s'y limiter, l'un ou plusieurs des points suivants :

- L'utilisation du Produit dans des conditions anormales ou inhabituelles, (y compris, de façon non exhaustive, toute forme d'utilisation commerciale, l'utilisation ou le stockage à l'extérieur d'un produit destiné à un usage interne, l'utilisation du Produit conjointement à des réservoirs d'air ou d'eau courante) ;
- Une faute intentionnelle d'un tiers, la négligence, la mauvaise utilisation, l'utilisation abusive, des accidents, l'exploitation inadéquate, le manque d'entretien, la mauvaise installation, la falsification, le non respect des instructions d'utilisation, la manipulation sans précaution, les réparations non autorisées ( y compris les réparations effectuées par l'utilisateur ou l'étude du fonctionnement interne de la machine par celui-ci) ;
- Réglage, modification ou altération de tout type ;
- Le non-respect des codes, règlements ou lois locaux, étatiques ou départementaux applicables au système électrique, à la plomberie et/ou aux bâtiments, y compris la non-installation du produit conformément aux règlements et codes de sécurité locaux applicables au bâtiment et à la prévention des incendies ;
- L'usure et la détérioration normales, les déversements d'aliments et de liquides, les accumulations de graisses ou d'autres substances sur, dans ou autour du Produit ;

- Les forces et facteurs externes, élémentaires et/ou environnementaux, y compris, mais sans limitation, la pluie, le vent, le sable, les inondations, les incendies, coulées de boue, températures de gel, moisissures excessives ou l'exposition prolongée à l'humidité, la foudre, les surtensions, défaillances de structure autour de l'appareil, et catastrophes naturelles.

Gaggenau ne saurait en aucun cas être tenu pour responsable de de tout dommage sur les propriétés adjacentes, notamment les armoires, planchers, plafonds et autres structures ou objets se trouvant aux alentours du Produit. Également exclus de la garantie sont les Produits dont les numéros de série ont été modifiés, effacés ou enlevés ; appels de service pour enseigner le fonctionnement du Produit ou les visites pour lesquelles aucun problème avec le Produit n'a été détecté ; correction de problèmes d'installation (le consommateur est seul responsable pour toute structure et tout réglage du Produit, incluant l'électricité, la plomberie et autres connexions nécessaires, pour une fondation/plancher approprié, et pour toute modification incluant, sans limitation, armoires, murs, planchers, tablettes, etc.) et la remise de disjoncteurs ou le remplacement de fusibles.

DANS LA MESURE OÙ LA LOI L'AUTORISE, CETTE GARANTIE DÉFINIT VOTRE RECOURS EXCLUSIF QUANT AU PRODUIT, QUELLE QUE SOIT LA NATURE DE LA DÉCLARATION, QU'IL S'AGISSE D'UN CONTRAT OU D'UN PRÉJUDICE (INCLUANT LA RESPONSABILITÉ ABSOLUE OU LA NÉGLIGENCE) OU AUTREMENT. CETTE GARANTIE REMPLACE TOUTE AUTRE GARANTIE, EXPRESSE OU ÉCRITE. TOUTE GARANTIE IMPLICITEMENT VISÉE PAR LA LOI, DE QUALITÉ MARCHANDE OU D'ADÉQUATION POUR UN USAGE PARTICULIER, OU AUTREMENT NE SERA EFFECTIVE QUE POUR LA PÉRIODE DE VALIDITÉ DE LA PRÉSENTE GARANTIE. LE FABRICANT NE SERA EN AUCUN CAS RESPONSABLE DE TOUTE « PERTE COMMERCIALE » IMMATÉRIELLE, PARTICULIÈRE, ACCESSOIRE, INDIRECTE, ET/OU DES DOMMAGES PUNITIFS, DES PERTES OU DES DÉPENSES, Y COMPRIS, SANS LIMITATION, L'ABSENCE AU TRAVAIL, LES FRAIS D'HOTELS ET/OU DE REPAS PRIS AU RESTAURANT, LES DÉPENSES DE RESTRUCTURATION EN SUS DES DOMMAGES DIRECTEMENT CAUSÉS PAR BSH, OU AUTREMENT. CERTAINS ÉTATS N'AUTORISENT PAS L'EXCLUSION OU LA LIMITATION DES DOMMAGES IMMATÉRIELS OU ACCESSOIRES ET D'AUTRES N'AUTORISENT PAS LES LIMITATIONS SUR LA DURÉE DE LA GARANTIE IMPLICITE, IL EST DONC POSSIBLE QUE LES RESTRICTIONS SUSMENTIONNÉES NE VOUS CONCERNENT PAS. CETTE GARANTIE VOUS ACCORDE DES DROITS SPÉCIFIQUES LÉGAUX, LESQUELS PEUVENT

VARIER D'UN ÉTAT À L'AUTRE. Aucune modification, changement ou amendement de cette garantie ne peut entrer en vigueur sans le consentement écrit autorisé par un officier de Gaggenau.

## **Comment bénéficier d'un service de garantie**

Pour obtenir un service sous garantie pour votre Produit, contactez le centre de service autorisé Gaggenau le plus proche de chez vous.

## Installation et raccordement

Le lave-vaisselle doit être raccordé correctement sous peine de ne pas fonctionner convenablement. Les caractéristiques d'arrivée et d'écoulement d'eau, ainsi que la puissance raccordée doivent correspondre aux critères requis énoncés dans le paragraphe suivant ou détaillés dans les instructions d'installation.

**Installez l'appareil en suivant les étapes dans cet ordre :**

1. Inspectez l'appareil à sa réception
2. Installation
3. Raccordement de l'évacuation
4. Raccordement à l'eau courante
5. Raccordement électrique

## Pièces incluses

En cas de réclamation, contactez votre revendeur ou notre service après-vente.

- Lave-vaisselle
- Manuel d'utilisation
- Instructions d'installation
- Guide de référence rapide\*
- Garantie\*
- Matériel d'installation
- Rabat antivapeur\*
- Tablier de caoutchouc\*
- Cordon d'alimentation

\*dépend de l'équipement de votre lave-vaisselle

## Consignes de sécurité

Veillez vous référer aux Consignes importantes de sécurité pour l'installation, incluses dans le manuel séparé Consignes d'installation, compris avec votre lave-vaisselle.

## Livraison

Votre lave-vaisselle a été inspecté minutieusement à l'usine afin d'en assurer un état de fonctionnement impeccable. Pour cette raison, de petites taches d'eau peuvent être présentes. Celles-ci disparaîtront au premier lavage.

## Données techniques

- **Poids :**  
jusqu'à 60 kg (132 lbs)
- **Tension :**  
120 V, 60 Hz
- **Puissance raccordée :**  
1 300 W.
- **Disjoncteur :**  
12 A
- **Puissance d'entrée :**  
à l'arrêt (Po)\* 0,50 W.  
en marche (PI)\* 50 W.  
  
\*selon les réglementations (EU) n° 1016/2010 et 1059/2010.  
  
Des fonctions supplémentaires et certains paramètres peuvent augmenter la puissance d'entrée.
- **Pression d'eau :**  
0,05 MPa (0,5 bar) minimum, 1 MPa (10 bar) maximum.  
Si la pression d'eau est supérieure :  
raccordez la soupape de réduction de pression en amont.
- **Débit d'entrée :**  
10 litres/minute minimum
- **Température de l'eau :**  
eau froide.  
Eau chaude :  
Température maximale de 60 °C (140 °F).
- **Capacité :**  
configurations de 12 à 15 emplacements (dépend de l'équipement de votre lave-vaisselle)

## Installation

Les dimensions requises pour l'installation se trouvent dans les instructions d'installation. Mettez l'appareil à niveau à l'aide des pieds ajustables. Assurez-vous que l'appareil est posé de manière sûre.

- Un appareil encastré ou intégré par la suite de façon autostable doit être fixé (en le vissant au mur, ou en l'installant sous un plan de travail fixe, lui-même vissé aux placards adjacents) de manière sûre, ceci afin de l'empêcher de se retourner
- L'appareil peut être facilement installé entre des cloisons en bois et en plastique d'une cuisine aménagée.

## Raccordement du boyau d'évacuation

1. Les étapes à suivre pour le raccordement se trouvent dans les instructions d'installation. Au besoin, installez un siphon avec un raccord d'évacuation.
2. Raccordez le flexible d'évacuation au raccord d'évacuation du siphon avec les pièces fournies.

Assurez-vous que le boyau d'évacuation n'est pas coudé, compressé ou tordu, et que le système d'évacuation n'est pas obstrué!

## Raccordement à l'eau courante

1. Connectez le raccord d'eau courante au robinet en suivant les instructions d'installation et en utilisant les pièces fournies.

Assurez-vous que le raccord à l'arrivée l'eau courante n'est pas coudé, compressé ou tordu.

2. Lors du remplacement de l'appareil, utilisez toujours un nouveau flexible d'arrivée d'eau.

### Pression d'eau :

0,05 MPa (0,5 bar) minimum, 1 MPa (10 bars) maximum.  
Si la pression d'eau est supérieure :  
raccordez la soupape de réduction de pression en amont.

### Débit d'entrée :

10 litres/minute minimum

### Température de l'eau :

eau froide.

Eau chaude :

Température maximale de 60 °C (140 °F).

## Raccordement d'eau chaude\*

Le lave-vaisselle peut être raccordé à une arrivée d'eau froide ou chaude jusqu'à 60 °C (140 °F). Le raccordement à l'eau chaude est recommandé si celle-ci peut être fournie par un moyen plus économique en énergie et par une installation adaptée, comme un chauffe-eau solaire avec circuit de circulation. Ceci permet d'économiser de l'énergie et du temps. Le réglage « Eau chaude » vous permet d'ajuster au mieux le fonctionnement de votre lave-vaisselle avec une arrivée d'eau chaude. Il est recommandé d'avoir une arrivée d'eau chaude à une température minimum de 40 °C (104 °F) et ne dépassant pas 60 °C (140 °F). Il est déconseillé de raccorder l'appareil à une arrivée d'eau chaude si celle-ci est fournie par un chauffe-eau électrique.

### Pour changer le réglage :

1. Ouvrez la porte.
2. Appuyez sur le bouton MARCHE/ARRÊT .
3. Appuyez sur le bouton Information  durant 3 secondes jusqu'à ce que le message suivant soit affiché dans la fenêtre d'affichage supérieure .

Faites défiler avec <>

Choisissez avec - +

Maintenez durant  3 sec.

4. Maintenez le bouton >  enfoncé jusqu'à ce que le raccordement à l'eau soit affiché dans la fenêtre d'affichage supérieure .
5. Effectuez le réglage à l'aide des boutons + - .
6. Appuyez et maintenez le bouton Information enfoncé  pendant 3 secondes.

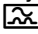
Les paramètres sélectionnés ont été sauvegardés.

\* option facultative qui peut être ou ne pas être incluse avec votre lave-vaisselle

## Raccordement électrique

- Raccordez l'appareil au courant alternatif d'une tension de 120 V et d'une fréquence de 60 Hz via une prise de courant correctement installée et mise à la terre. Consultez la plaque signalétique pour connaître le type de fusible qui convient .
- La prise de courant doit se situer à proximité de l'appareil et être facilement accessible après installation.

Si la prise n'est pas librement accessible, un commutateur omnipolaire avec une ouverture des contacts de 3 mm minimum doit être monté sur le côté de l'installation pour satisfaire aux exigences de sécurité.

- La modification du raccordement ne doit être effectuée que par un technicien qualifié.
- Une extension de câble peut-être achetée, uniquement auprès du service à la clientèle.
- Utilisez uniquement un disjoncteur différentiel comprenant ce symbole . Seul cette extension garantit la conformité avec les réglementations applicables actuellement.
- Cet appareil dispose d'un système de protection contre les dégâts des eaux. Veuillez remarquer que ce système fonctionnera **uniquement** si l'appareil est raccordé au réseau électrique.

## Dépose de l'appareil

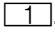
Suivez les étapes de dépose décrites ci-après.

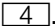
1. Débranchez l'appareil du réseau électrique.
2. Fermez le robinet.
3. Défaites le raccordement entre l'évacuation et l'arrivée d'eau
4. Desserrez les vis de serrage des pièces du cabinet.
5. Si celui-ci est monté, retirez le panneau de socle.
6. Sortez l'appareil, tirez avec précaution sur le flexible à l'arrière.

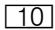
## Transport de l'appareil

Videz le lave-vaisselle et sécurisez les pièces mobiles.

**Videz l'appareil de son eau en suivant les étapes suivantes :**

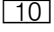
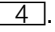
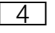
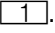
1. Ouvrez le robinet.
2. Ouvrez la porte.
3. Appuyez sur le bouton MARCHE/ARRÊT .
4. Sélectionnez le cycle de lavage avec la plus haute température possible.

La durée estimée du cycle de lavage est indiquée sur l'affichage digital .

5. Appuyez sur le bouton DÉMARRER .

6. Fermez la porte.

Le cycle de lavage démarre.

7. Ouvrez la porte après environ 4 minutes.
8. Appuyez sur le bouton DÉMARRER  jusqu'à ce que s'affichent « Programme annulé », puis « Prêt dans une minute » dans l'affichage digital .
9. Fermez la porte.
10. Ouvrez la porte après environ 1 minute.  
L'affichage digital  indique « Terminé ».
11. Appuyez sur le bouton MARCHE/ARRÊT .
12. Fermez le robinet, déconnectez le boyau d'alimentation et évacuez l'eau.

**Remarque :** En le transportant, tenez l'appareil debout, à la verticale. Cela empêche l'eau résiduelle de couler à l'intérieur de l'appareil et d'endommager son cycle de lavage.

## Protection de l'appareil contre le gel

Si l'appareil se trouve dans une pièce dans laquelle il existe un risque de gel (comme une maison de vacances), videz complètement l'appareil (voir « Transport de l'appareil »).







Gaggenau  
1901 Main Street, Suite 600  
Irvine, CA 92614  
USA  
Phone +1.877.4GAGGENAU  
[info@gaggenau-usa.com](mailto:info@gaggenau-usa.com)  
[www.gaggenau-usa.com](http://www.gaggenau-usa.com)