



400 series storage drawer

**WS 463**

- Handleless storage drawer
- Perfect for a side-by-side combination of a 30" single oven and 24" Combi-steam oven, speed microwave oven or 24" coffee machine
- Soft-closing system
- Provides easy storage for cookware and cooking utensils
- Stainless steel interior with glass bottom
- Net volume 1.1 cu.ft.

**WS 463 010**

Stainless steel-backed glass front  
Width 24" (60 cm), Height 8 3/16" (21 cm)

**Installation accessories**

**BA 476 510**

Optional handle, stainless steel  
Length 17 11/16".

**Operation**

Recessed grip at the front bottom center of drawer.

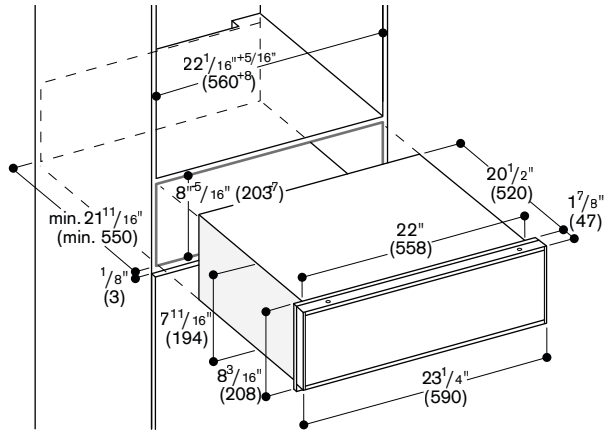
**Features**

Usable interior dimensions:  
H 5 9/16" x W 18 11/16" x D 18 1/4"  
Base plate made of safety glass.  
Max. load 33 lbs.

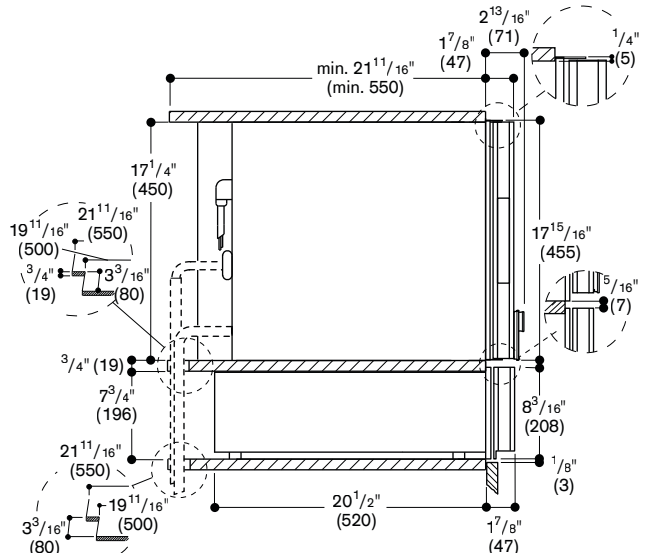
**Planning notes**

The front of the appliance extends 1 7/8" from the cabinet front.  
Always use an intermediate shelf—at least 3/4" thick—when mounting a 400 series single oven / Combi-steam oven or coffee machine above the storage drawer.

Please read the installation details regarding air openings on pages 6-7.



**Side view of WS 463 below BS Combi-steam oven, BM speed microwave oven or CM coffee machine**



Numbers indicated inside parenthesis ( ) = mm