



**400 series convection warming drawer**  
**WS 461**

**WS 461 710**

Stainless steel-backed glass front  
Width 24" (60 cm), Height 5 3/8" (14 cm)

**Installation accessories**

**BA 476 510**  
Optional handle, stainless steel  
Length 17 1/16".

- Handleless warming drawer
- Bright interior lighting
- Soft-closing system
- Hygienic stainless steel interior with glass bottom
- 4 temperature levels ranging from 100°F – 175°F
- Keeps food and drinks warm, also for preparing and cooking meals
- Net volume 0.75 cu.ft.

**Cooking modes**

Defrosting of meals/proofing of yeast dough.  
Preheating of small beverages.  
Keeping meals warm/slow cooking.  
Warming of dishes.

**Operation**

Rotary knob operation.  
Recessed grip at the front bottom center of drawer.

**Features**

Usable interior dimensions:  
H 3 3/4" x W 18 11/16" x D 18 3/16"  
Volume capacity: coffee set for 10 including espresso cups, cappuccino cups and plates or place settings for six including ø 11" plates and bowls.  
Integrated base glass plate heating for easy cleaning.  
Convection fan for even heat distribution.  
Status display, visible in the glass front.  
Base plate made of safety glass.  
Max. load 55 lbs.

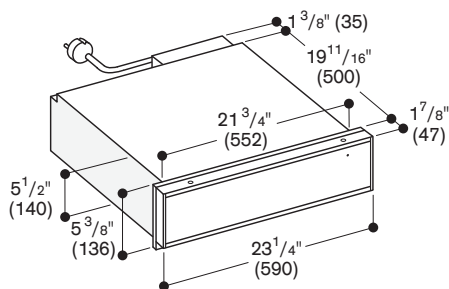
**Planning notes**

The front of the appliance extends 1 7/8" from the cabinet front.  
Mount 24" 400 series single oven or Combi-steam oven directly on top of the warming drawer without a partition shelf in between.  
The power outlet can be planned behind the appliance.

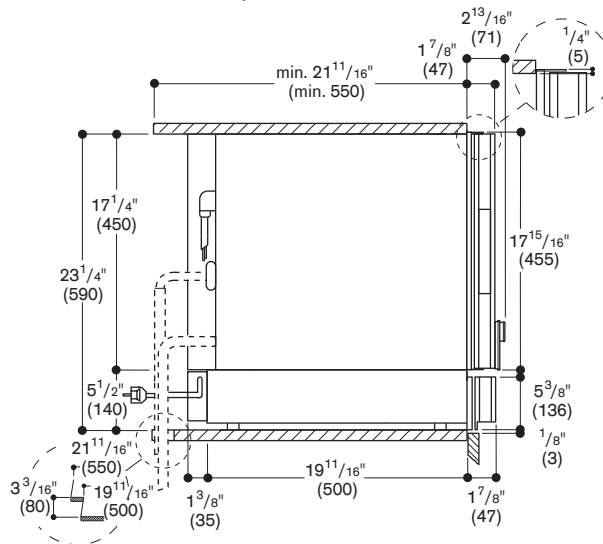
**Please read the installation details regarding air openings on pages 12 –13.**

**Rating**

Total rating: 0.81 kW.  
Total Amps: 10 A.  
120 V / 60 Hz  
Connecting cable 6' with plug.



**Side view of WS 461 below BS Combi-steam oven, BM speed microwave oven or CM espresso machine**



Numbers indicated inside parenthesis ( ) = mm