



VP 230 614

Stainless steel control panel
Width 12" (28 cm)

Included accessories

2 spatulas

Installation accessories

VV 200 014

Connecting strip for combination with other Vario cooktops

SH 230 001

Hinge holder required for fitting the appliance cover

Optional accessories

VD 201 014

Brushed stainless steel appliance cover

Vario 200 series Teppan Yaki

VP 230

- Special appliance for restaurant-grade capabilities in the home kitchen
- Integrated control panel for comfortable and secure operation
- Japanese traditional cooking, directly on the stainless steel surface
- Exact temperature control from 240°F to 480°F, with warming and cleaning settings

Cooking zones

Usable area: W 8 7/8" x D 15 5/16".
Warming setting.
Cleaning setting.

Features

Stainless steel frame with a sanded and seamlessly-welded stainless steel cooking surface.
One heating zone with electronic temperature control from 240°F to 480°F.
Heating element with 1,800 W.

Safety

Operation indicator.
Pre-heat and residual heat indicator.

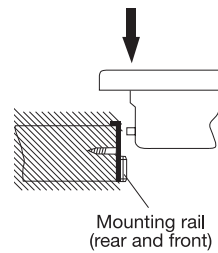
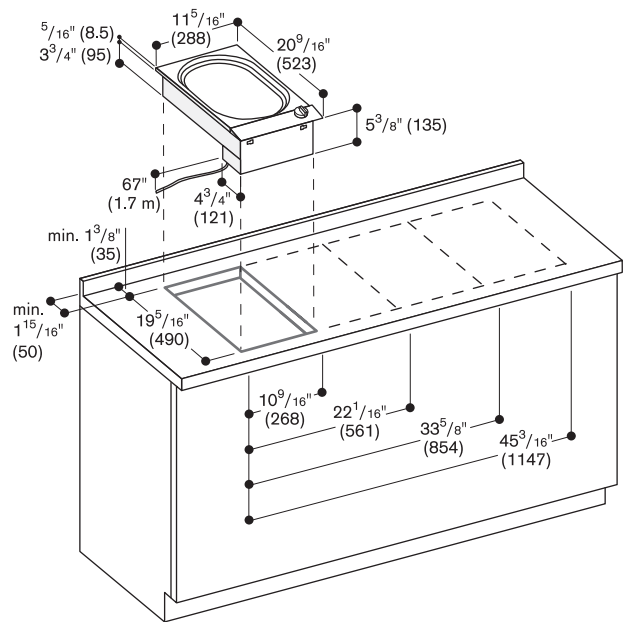
Planning notes

Appliance clicks into the countertop from above.
A minimum clearance of 1 1/4" (30 mm) from adjacent heat-sensitive furniture or contact surfaces must be observed or thermal insulation must be used.
The VK 230 glass cover cannot be used with this appliance.

Please read additional planning notes on page 104.

Rating

Total rating: 1.8 kW.
Total Amps: 15 A.
240 V / 60 Hz
Plan for a 55" connecting cable without plug (hardwire required).



Numbers indicated
inside parenthesis () = mm