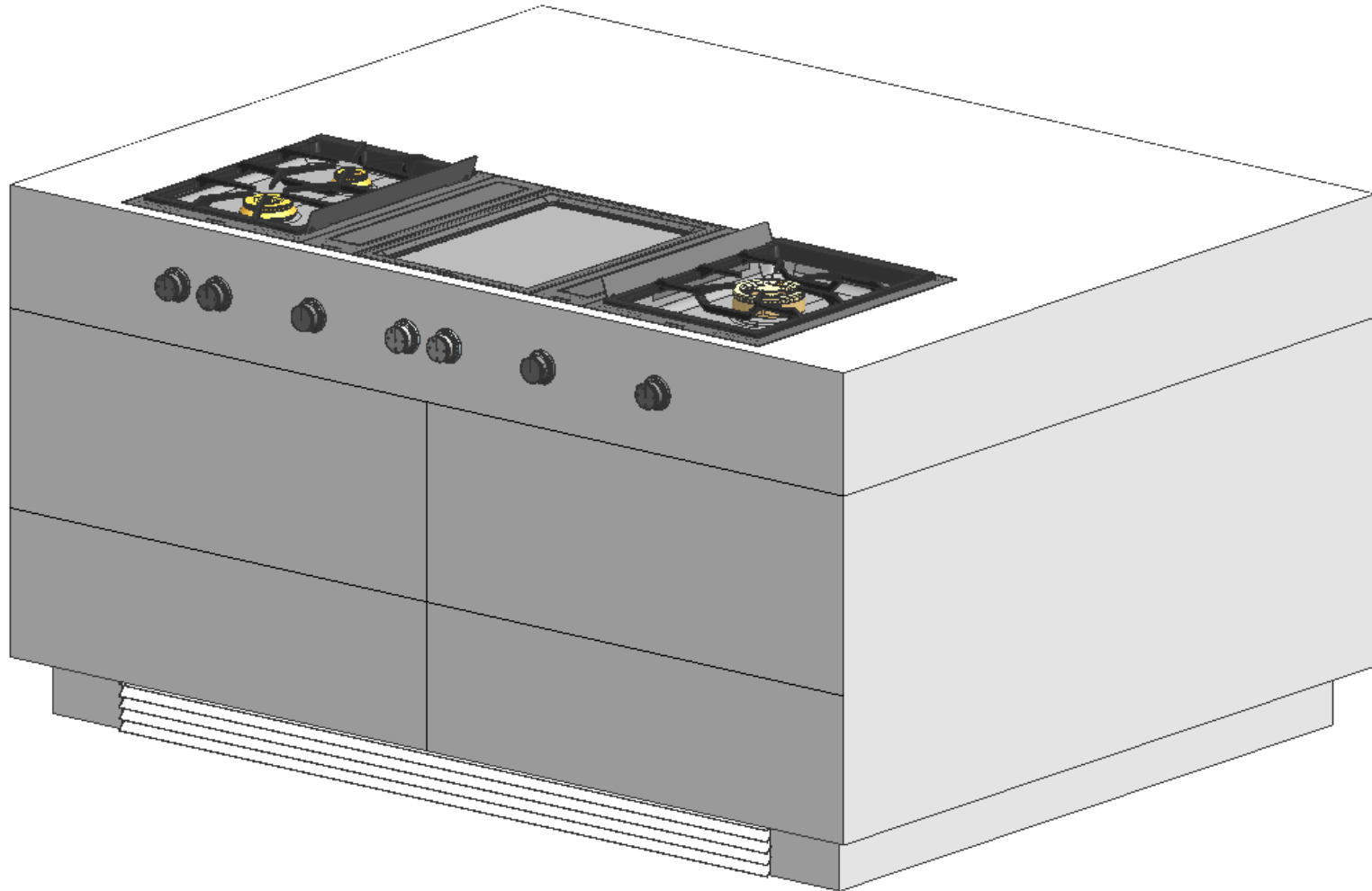


VL414 Island Configuration.

(2) VL414111 downdraft + (2) AR413722 recirculating blower

Configuration	2xVL414111-2xAR413722-3 varios	Min. Work depth	- mm	Ventilation mode	Recirculation
Type reference cooktops	VG 415 – VP 414 – VG 425	Type reference ventilation appliance	VL 414 111	Type reference remote fan unit	AR 413 722

Installation view

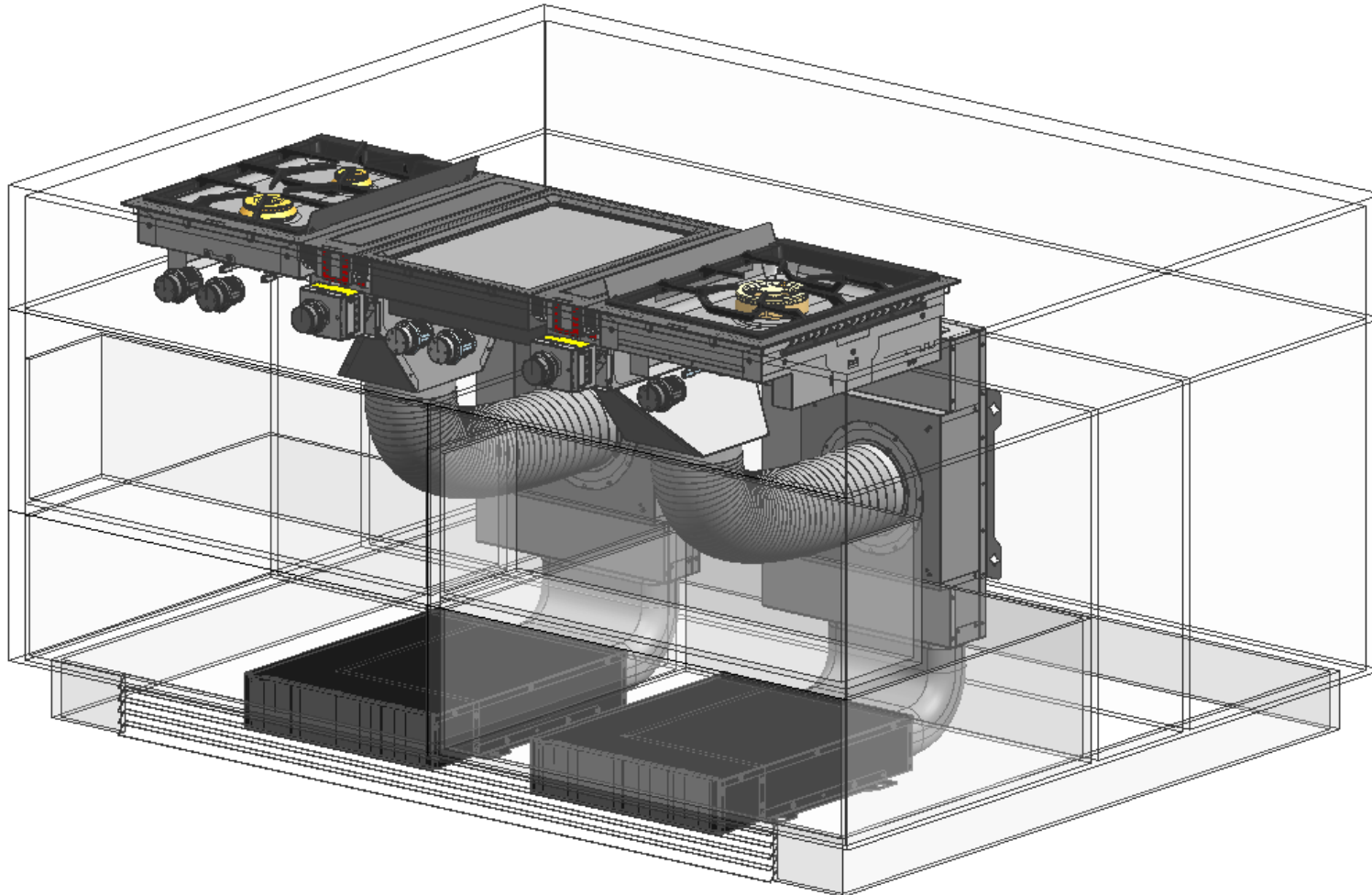


BSH Hausgeräte GmbH, Carl-Wery-Strasse 34, 81739 Munich, Germany
 Chairman of the Supervisory Board: Prof. Dr. Stefan Asenkerschbaumer
 Directors: Uwe Raschke (Chairman), Dr. Gerhard Dambach, Matthias Ginthum, Dr. Silke Maurer
 Registered Office: Munich; Registry Court: Amtsgericht München, HRB 75534, WEEE-Reg.-No. DE 57986696

The drawing is provided only as an example.
 Please pay attention to the technical installation drawings in the Gaggenau Models and Dimensions. The technical drawings are not based on customer data and are merely for installation recommendation. The exact installation must be verified by the kitchen studio on an individual customer basis.

Configuration	2xVL414111-2xAR413722-3 varios	Min. Work depth	- mm	Ventilation mode	Recirculation
Type reference cooktops	VG 415 – VP 414 – VG 425	Type reference ventilation appliance	VL 414 111	Type reference remote fan unit	AR 413 722

Installation view

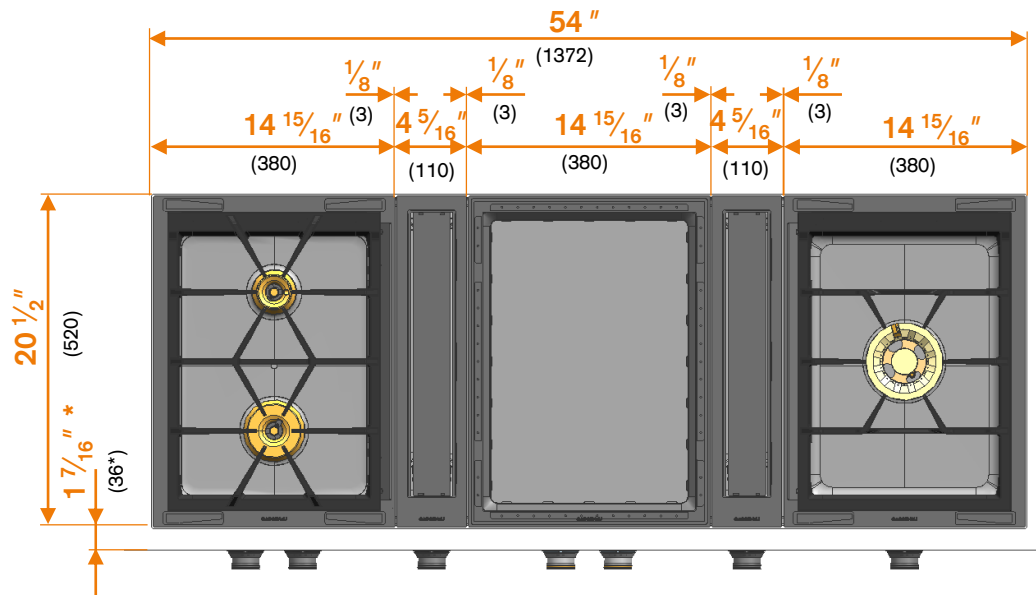


BSH Hausgeräte GmbH, Carl-Wery-Strasse 34, 81739 Munich, Germany
 Chairman of the Supervisory Board: Prof. Dr. Stefan Asenkerschbaumer
 Directors: Uwe Raschke (Chairman), Dr. Gerhard Dambach, Matthias Ginthum, Dr. Silke Maurer
 Registered Office: Munich; Registry Court: Amtsgericht München, HRB 75534, WEEE-Reg.-No. DE 57986696

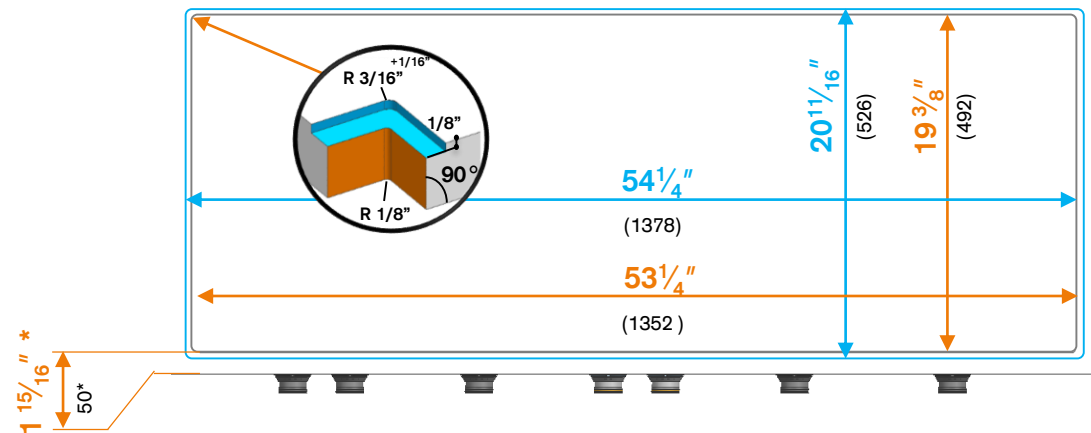
The drawing is provided only as an example.
 Please pay attention to the technical installation drawings in the Gaggenau Models and Dimensions. The technical drawings are not based on customer data and are merely for installation recommendation. The exact installation must be verified by the kitchen studio on an individual customer basis.

22. April 2020

Configuration	2xVL414111-2xAR413722-3 varios	Min. Work depth	- mm	Ventilation mode	Recirculation
Type reference cooktops	VG 415 – VP 414 – VG 425	Type reference ventilation appliance	VL 414 111	Type reference remote fan unit	AR 413 722

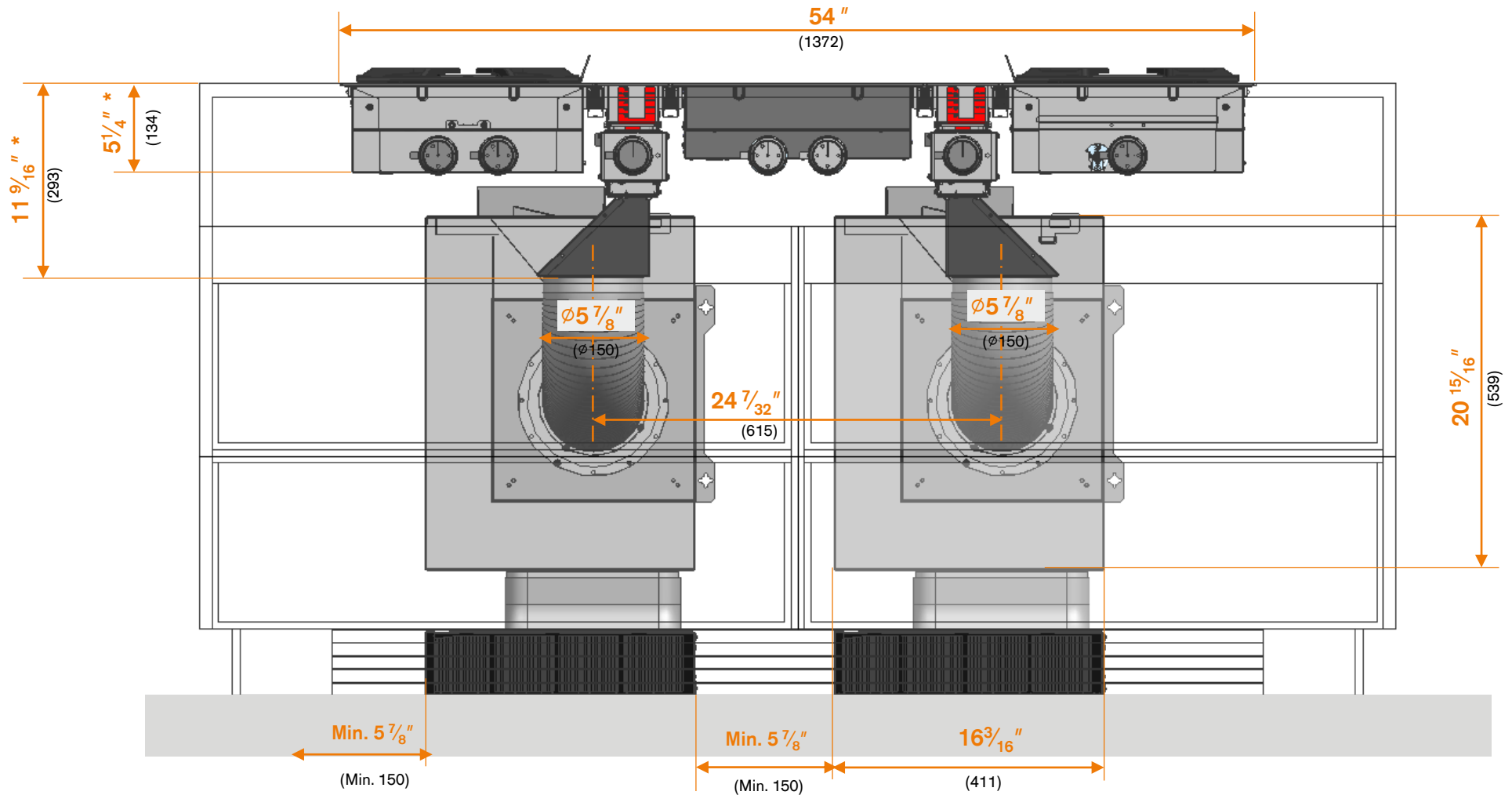


Cut out dimension. **Flush mounting**



- * : Minimum Distance
- ** : Recommended distance

Configuration	2xVL414111-2xAR413722-3 varios	Min. Work depth	- mm	Ventilation mode	Recirculation
Type reference cooktops	VG 415 – VP 414 – VG 425	Type reference ventilation appliance	VL 414 111	Type reference remote fan unit	AR 413 722



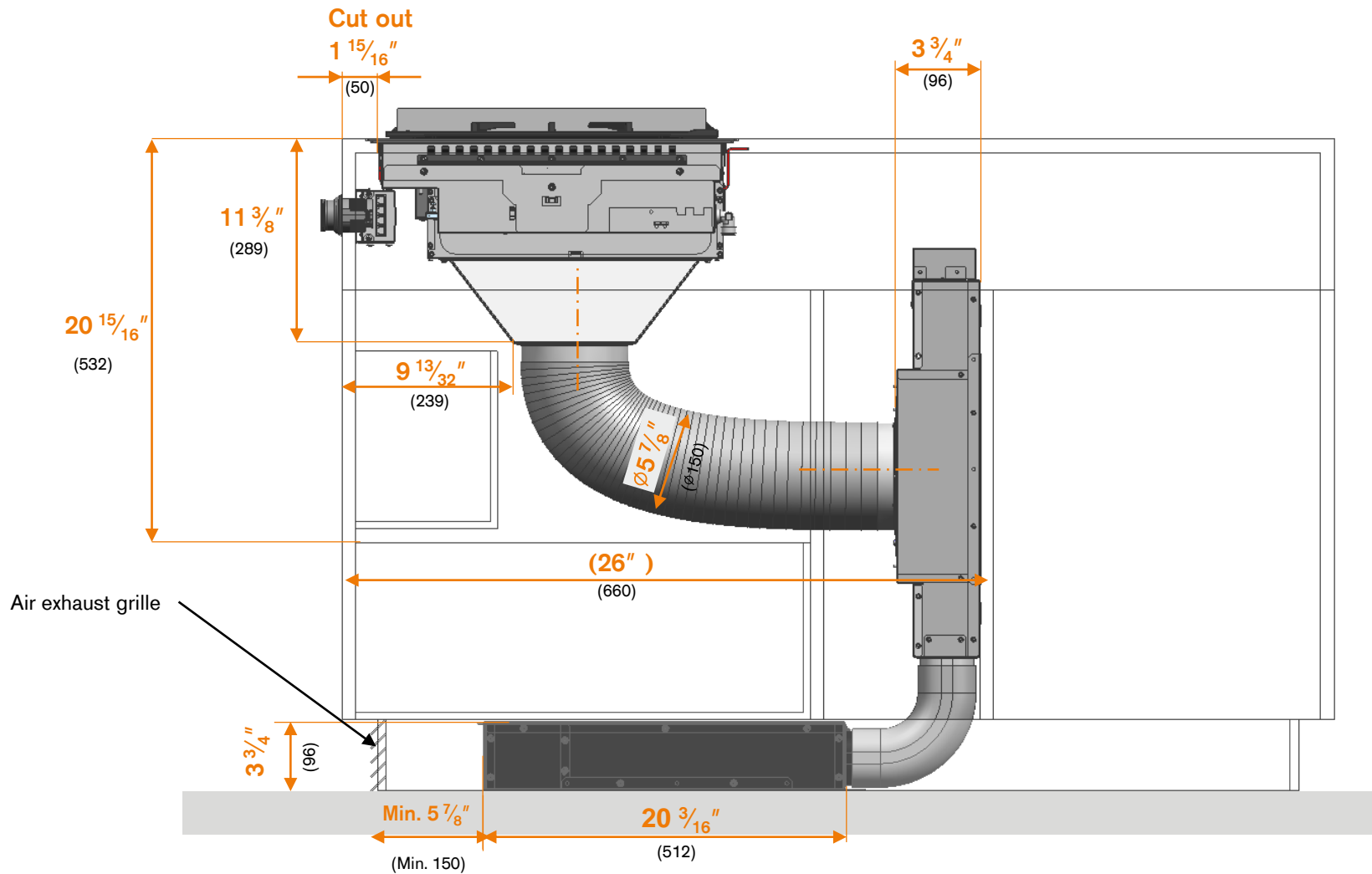
* : For flush mounted

BSH Hausgeräte GmbH, Carl-Wery-Strasse 34, 81739 Munich, Germany
 Chairman of the Supervisory Board: Prof. Dr. Stefan Asenkerschbaumer
 Directors: Uwe Raschke (Chairman), Dr. Gerhard Dambach, Matthias Ginthum, Dr. Silke Maurer
 Registered Office: Munich; Registry Court: Amtsgericht München, HRB 75534, WEEE-Reg.-No. DE 57986696

The drawing is provided only as an example. Please pay attention to the technical installation drawings in the Gaggenau Models and Dimensions. The technical drawings are not based on customer data and are merely for installation recommendation. The exact installation must be verified by the kitchen studio on an individual customer basis.

22. April 2020

Configuration	2xVL414111-2xAR413722-3 varios	Min. Work depth	- mm	Ventilation mode	Recirculation
Type reference cooktops	VG 415 – VP 414 – VG 425	Type reference ventilation appliance	VL 414 111	Type reference remote fan unit	AR 413 722

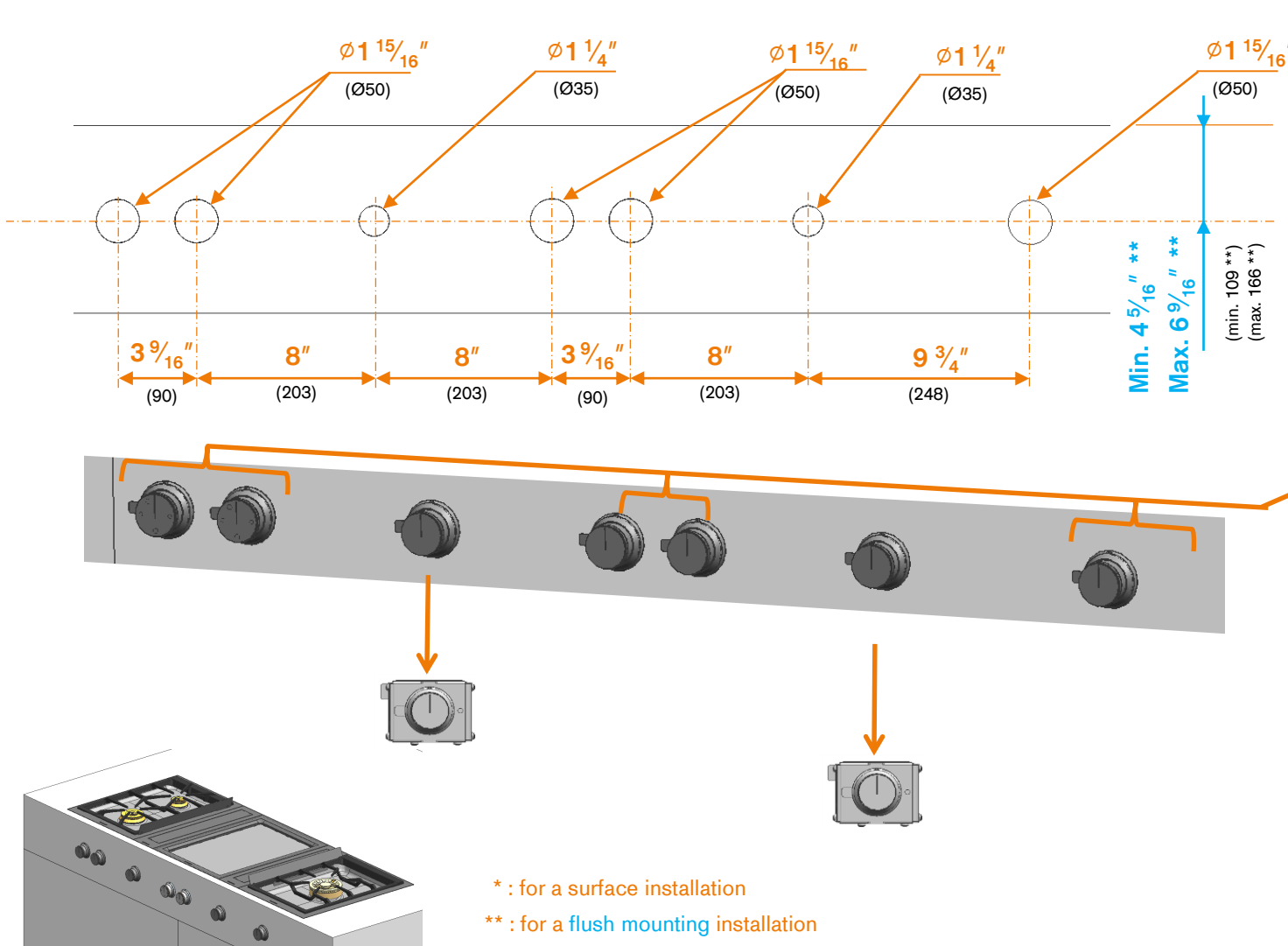


BSH Hausgeräte GmbH, Carl-Wery-Strasse 34, 81739 Munich, Germany
 Chairman of the Supervisory Board: Prof. Dr. Stefan Asenkerschbaumer
 Directors: Uwe Raschke (Chairman), Dr. Gerhard Dambach, Matthias Ginthum, Dr. Silke Maurer
 Registered Office: Munich; Registry Court: Amtsgericht München, HRB 75534, WEEE-Reg.-No. DE 57986696

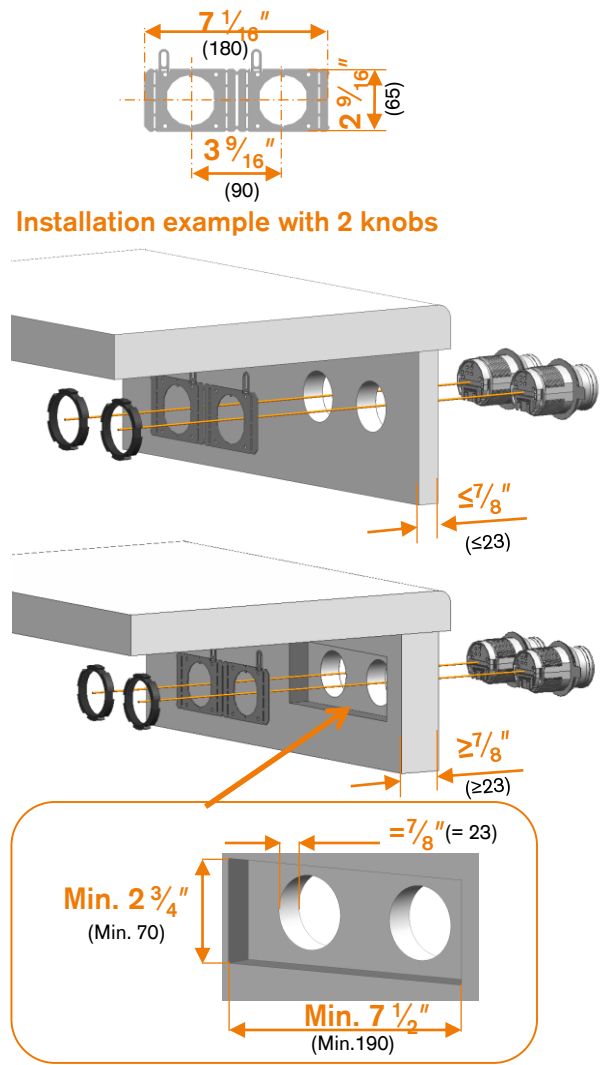
The drawing is provided only as an example. Please pay attention to the technical installation drawings in the Gaggenau Models and Dimensions. The technical drawings are not based on customer data and are merely for installation recommendation. The exact installation must be verified by the kitchen studio on an individual customer basis.

22. April 2020

Configuration	2xVL414111-2xAR413722-3 varios	Min. Work depth	- mm	Ventilation mode	Recirculation
Type reference cooktops	VG 415 – VP 414 – VG 425	Type reference ventilation appliance	VL 414 111	Type reference remote fan unit	AR 413 722



* : for a surface installation
 ** : for a flush mounting installation

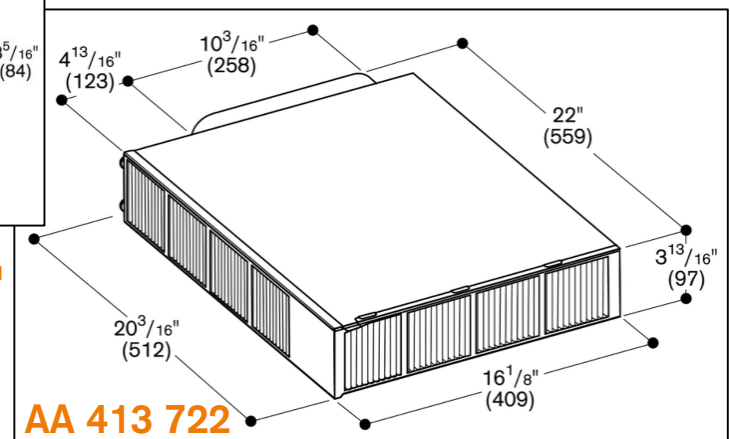
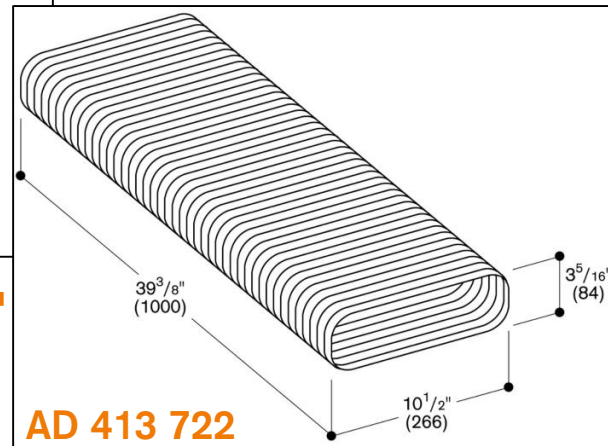
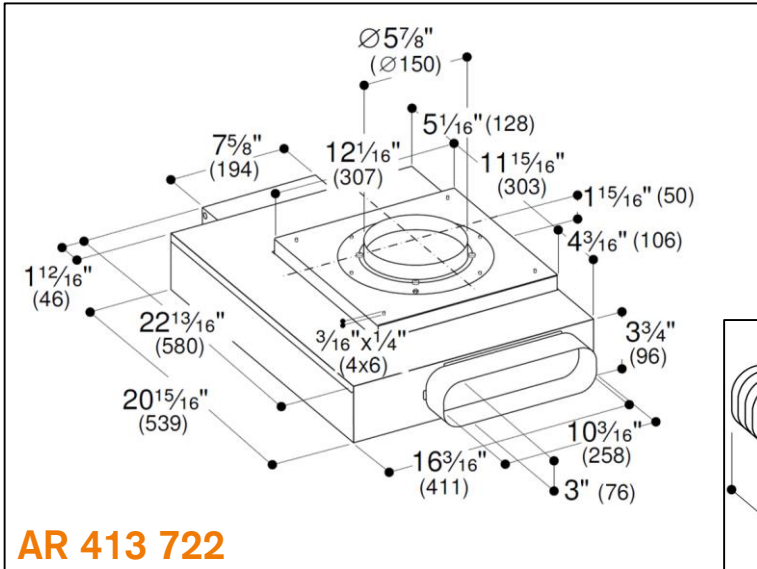


BSH Hausgeräte GmbH, Carl-Wery-Strasse 34, 81739 Munich, Germany
 Chairman of the Supervisory Board: Prof. Dr. Stefan Asenkerschbaumer
 Directors: Uwe Raschke (Chairman), Dr. Gerhard Dambach, Matthias Ginthum, Dr. Silke Maurer
 Registered Office: Munich; Registry Court: Amtsgericht München, HRB 75534, WEEE-Reg.-No. DE 57986696

22. April 2020

Configuration	2xVL414111-2xAR413722-3 varios	Min. Work depth	- mm	Ventilation mode	Recirculation
Type reference cooktops	VG 415 – VP 414 – VG 425	Type reference ventilation appliance	VL 414 111	Type reference remote fan unit	AR 413 722

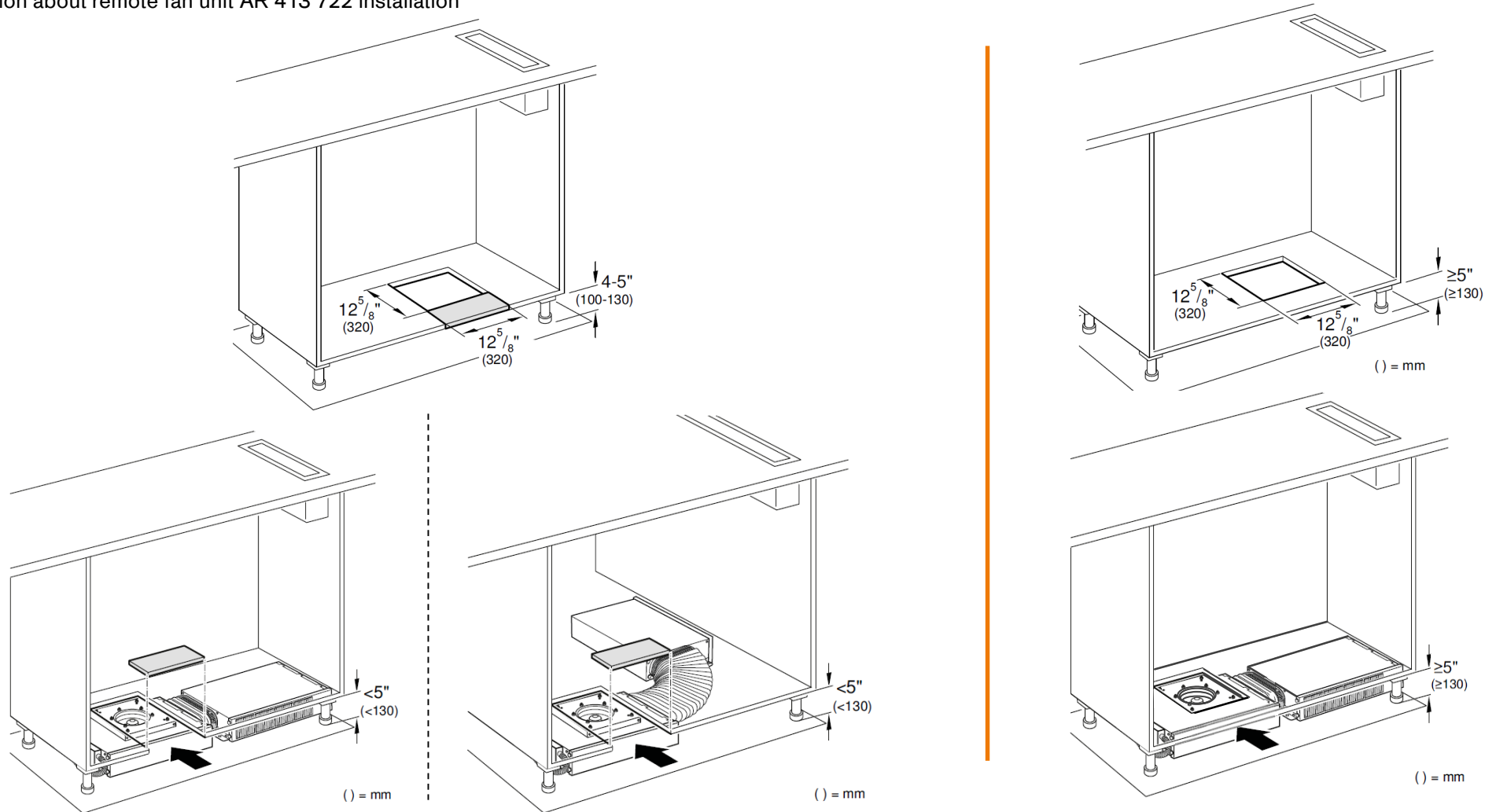
Information about remote fan unit AR 413 722 / AD 413722 /AA 413 722



22 April 2020

Configuration	2xVL414111-2xAR413722-3 varios	Min. Work depth	- mm	Ventilation mode	Recirculation
Type reference cooktops	VG 415 – VP 414 – VG 425	Type reference ventilation appliance	VL 414 111	Type reference remote fan unit	AR 413 722

Information about remote fan unit AR 413 722 installation

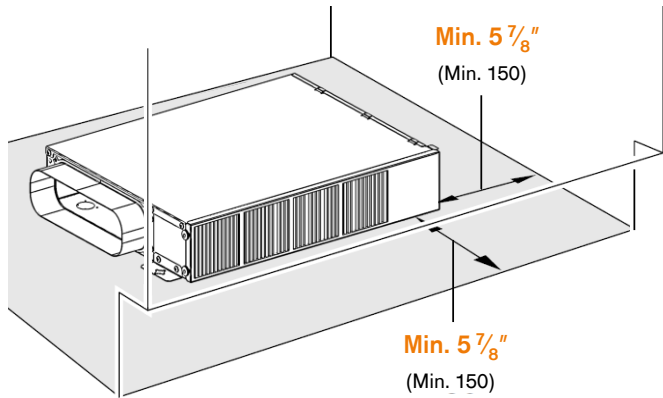


BSH Hausgeräte GmbH, Carl-Wery-Strasse 34, 81739 Munich, Germany
 Chairman of the Supervisory Board: Prof. Dr. Stefan Asenkerschbaumer
 Directors: Uwe Raschke (Chairman), Dr. Gerhard Dambach, Matthias Ginthum, Dr. Silke Maurer
 Registered Office: Munich; Registry Court: Amtsgericht München, HRB 75534, WEEE-Reg.-No. DE 57986696

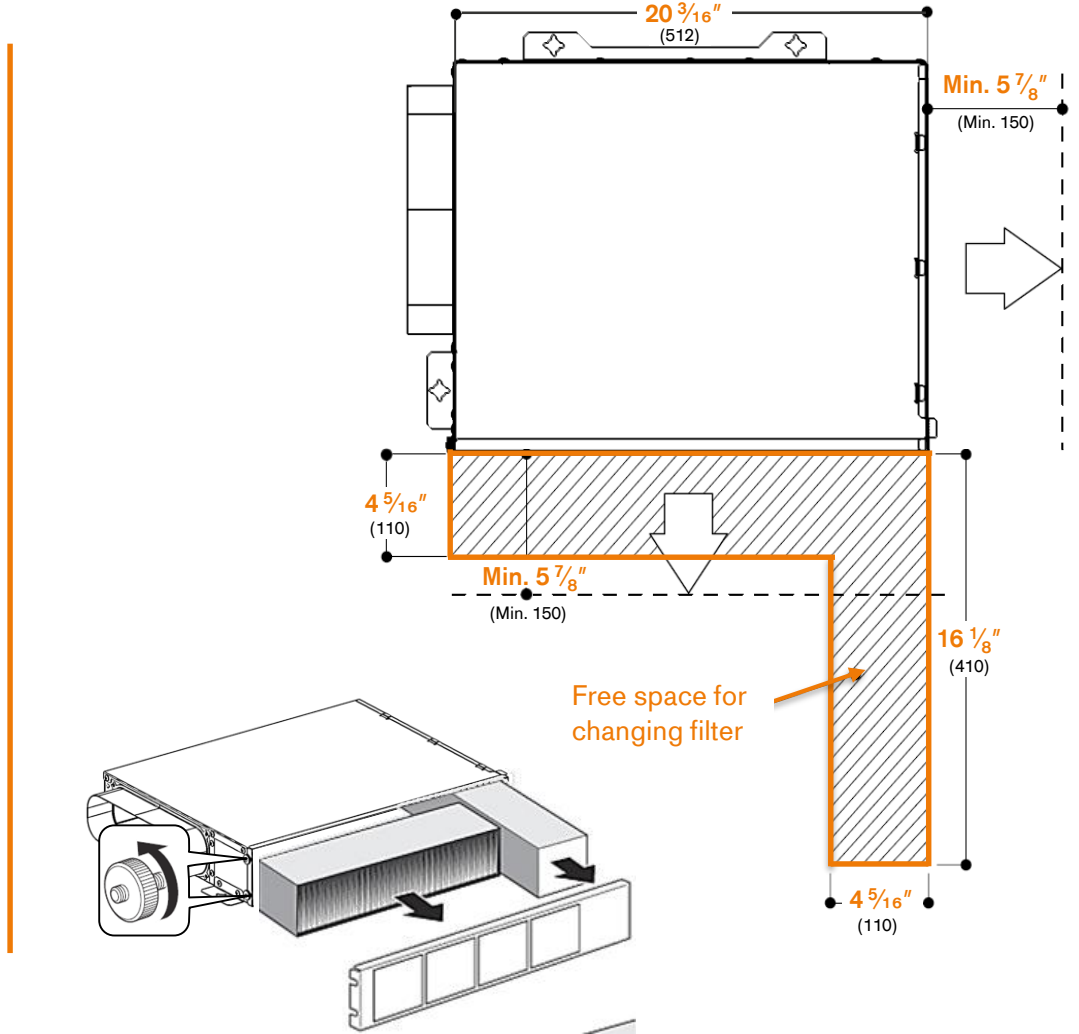
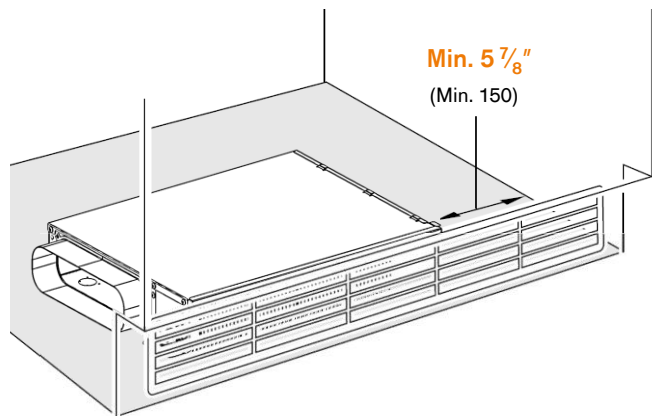
The drawing is provided only as an example.
 Please pay attention to the technical installation drawings in the Gaggenau Models and Dimensions. The technical drawings are not based on customer data and are merely for installation recommendation. The exact installation must be verified by the kitchen studio on an individual customer basis.

Configuration	2xVL414111-2xAR413722-3 varios	Min. Work depth	- mm	Ventilation mode	Recirculation
Type reference cooktops	VG 415 – VP 414 – VG 425	Type reference ventilation appliance	VL 414 111	Type reference remote fan unit	AR 413 722

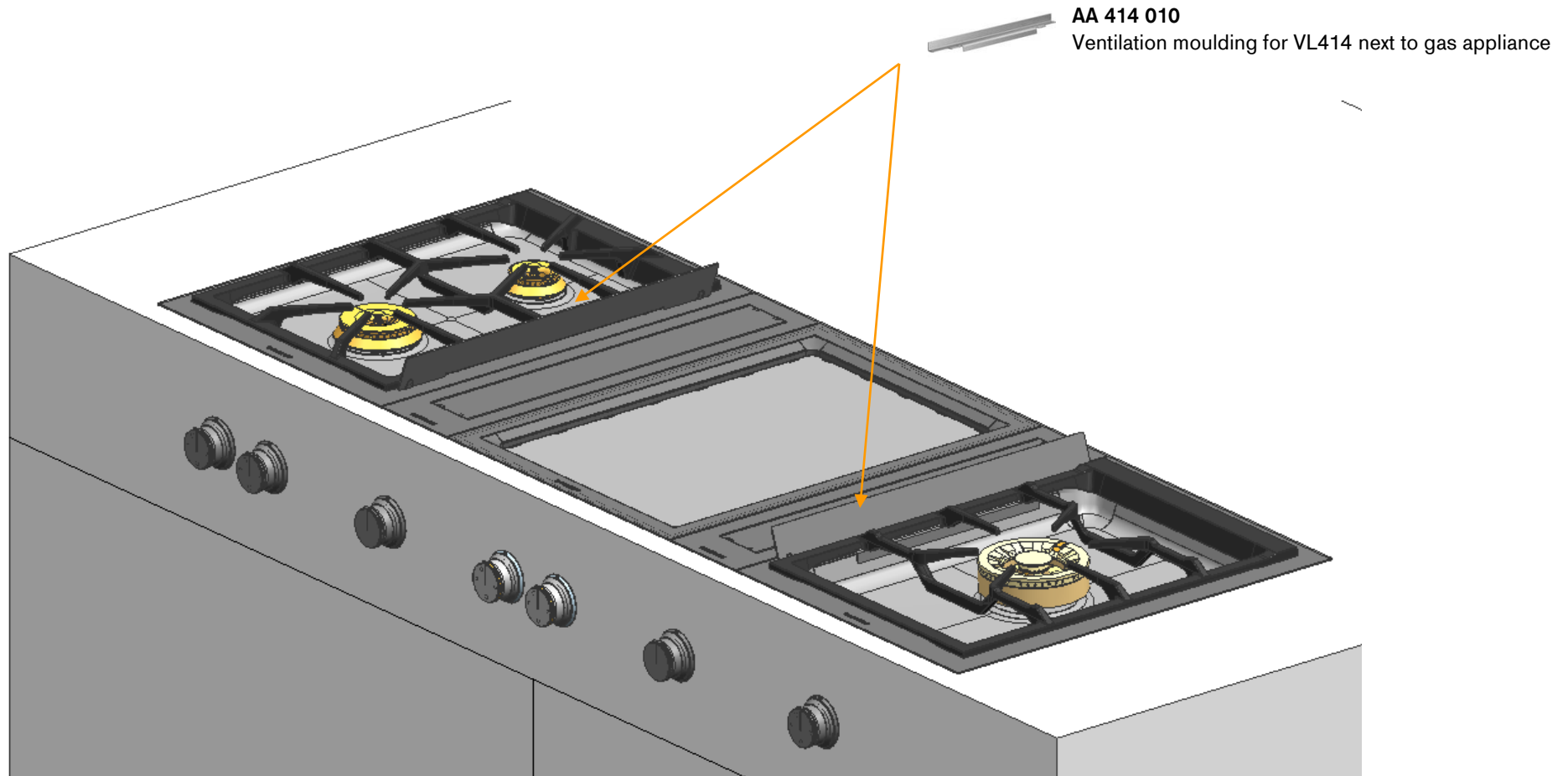
Information about Recirculation kit AA 413 722 installation



Min. distance for air outlet



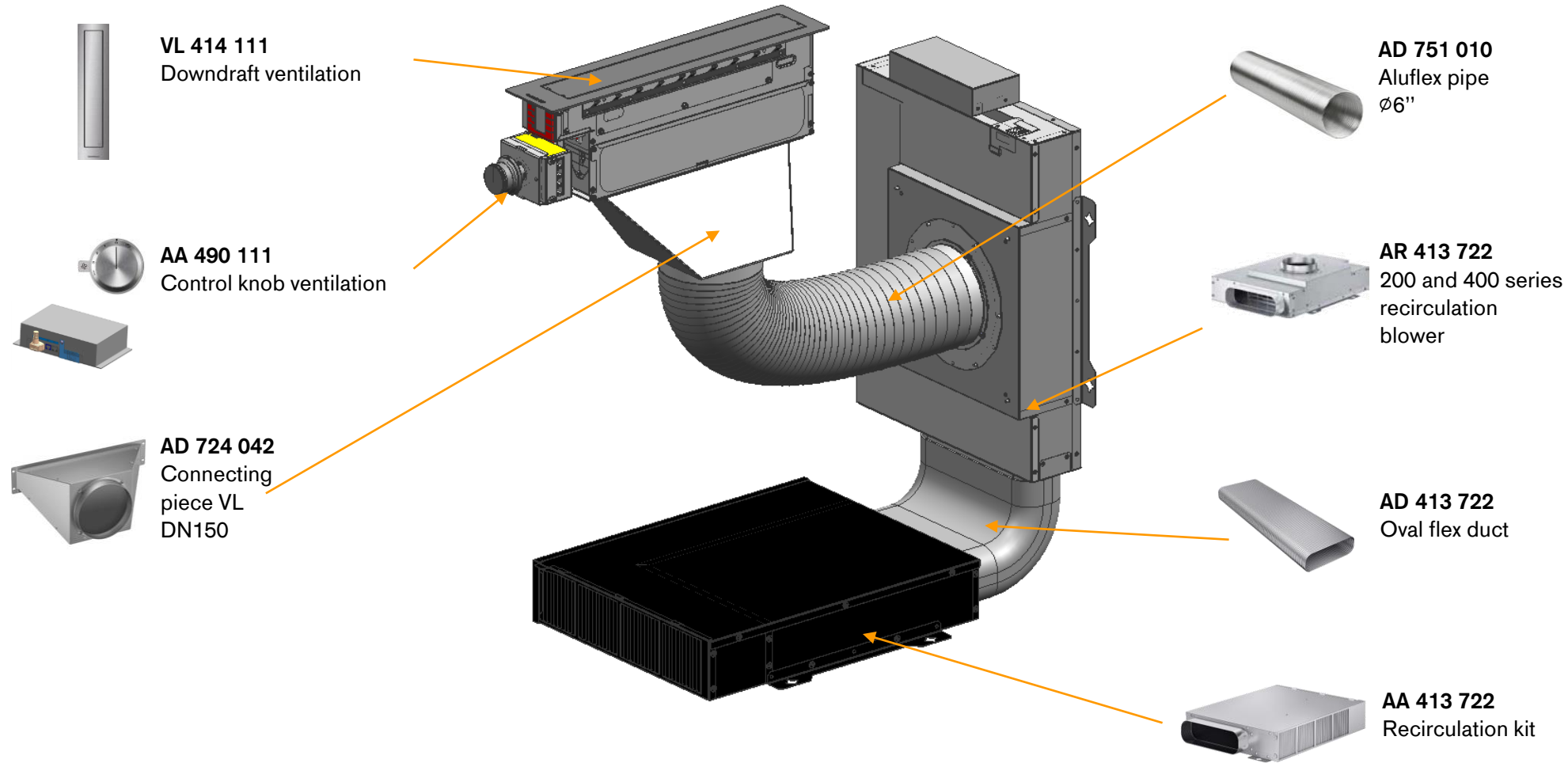
Configuration	2xVL414111-2xAR413722-3 varios	Min. Work depth	- mm	Ventilation mode	Recirculation
Type reference cooktops	VG 415 – VP 414 – VG 425	Type reference ventilation appliance	VL 414 111	Type reference remote fan unit	AR 413 722



22. April 2020

Configuration	2xVL414111-2xAR413722-3 varios	Min. Work depth	- mm	Ventilation mode	Recirculation
Type reference cooktops	VG 415 – VP 414 – VG 425	Type reference ventilation appliance	VL 414 111	Type reference remote fan unit	AR 413 722

Mounting information

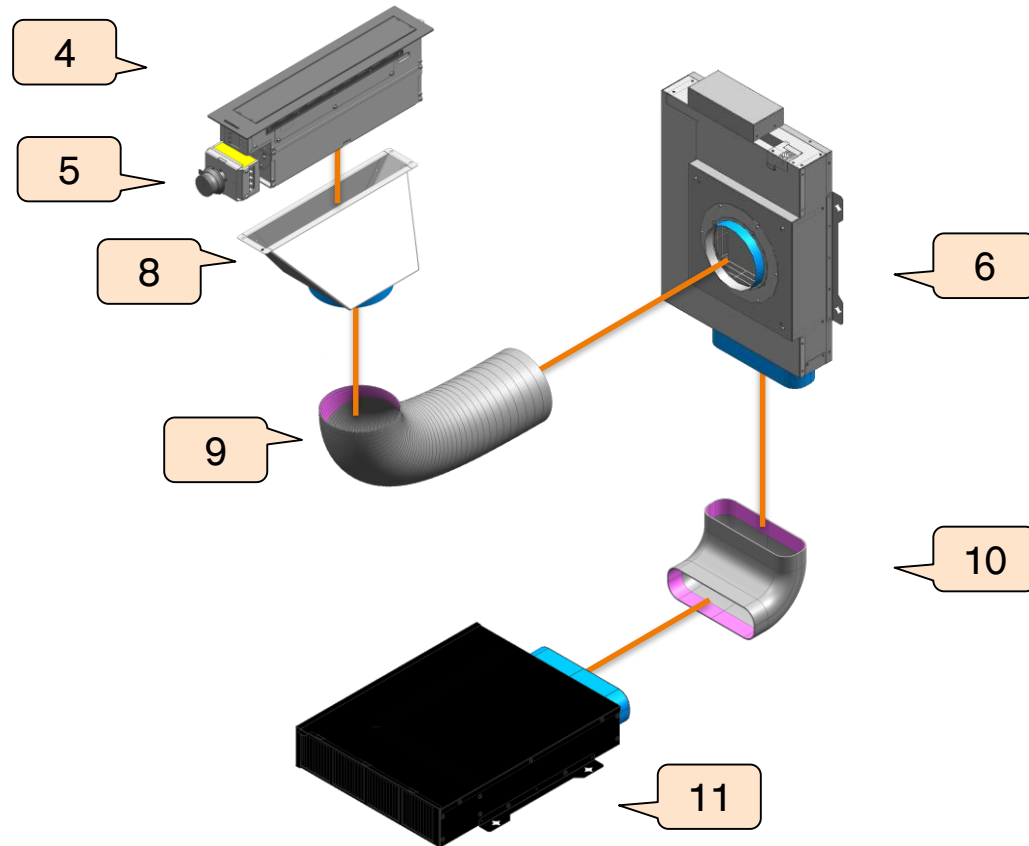


BSH Hausgeräte GmbH, Carl-Wery-Strasse 34, 81739 Munich, Germany
 Chairman of the Supervisory Board: Prof. Dr. Stefan Asenkerschbaumer
 Directors: Uwe Raschke (Chairman), Dr. Gerhard Dambach, Matthias Ginthum, Dr. Silke Maurer
 Registered Office: Munich; Registry Court: Amtsgericht München, HRB 75534, WEEE-Reg.-No. DE 57986696


The drawing is provided only as an example.
 Please pay attention to the technical installation drawings in the Gaggenau Models and Dimensions. The technical drawings are not based on customer data and are merely for installation recommendation. The exact installation must be verified by the kitchen studio on an individual customer basis.


22. April 2020


Configuration	2xVL414111-2xAR413722-3 varios	Min. Work depth	- mm	Ventilation mode	Recirculation
Type reference cooktops	VG 415 – VP 414 – VG 425	Type reference ventilation appliance	VL 414 111	Type reference remote fan unit	AR 413 722



See "Bill of material" page

 Blue : male connection

 Pink: female connection

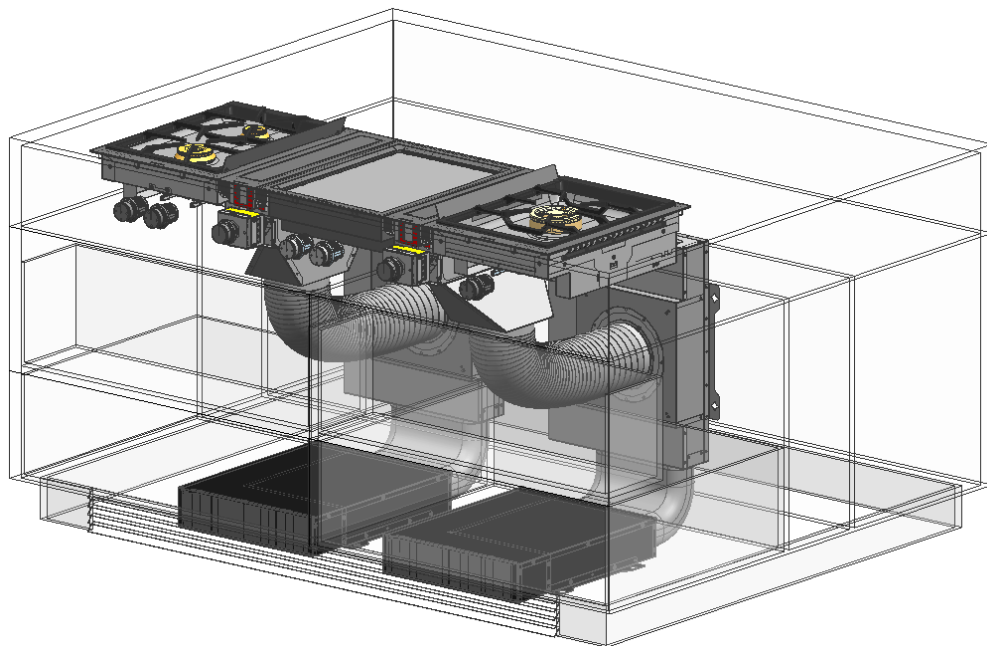
 Orange: into male connection DN 150

BSH Hausgeräte GmbH, Carl-Wery-Strasse 34, 81739 Munich, Germany
 Chairman of the Supervisory Board: Prof. Dr. Stefan Asenkerschbaumer
 Directors: Uwe Raschke (Chairman), Dr. Gerhard Dambach, Matthias Ginthum, Dr. Silke Maurer
 Registered Office: Munich; Registry Court: Amtsgericht München, HRB 75534, WEEE-Reg.-No. DE 57986696

The drawing is provided only as an example. Please pay attention to the technical installation drawings in the Gaggenau Models and Dimensions. The technical drawings are not based on customer data and are merely for installation recommendation. The exact installation must be verified by the kitchen studio on an individual customer basis.

22. April 2020

Configuration	2xVL414111-2xAR413722-3 varios	Min. Work depth	- mm	Ventilation mode	Recirculation
Type reference cooktops	VG 415 – VP 414 – VG 425	Type reference ventilation appliance	VL 414 111	Type reference remote fan unit	AR 413 722



Position	Quantity	Part number	Appliance Design / Accessories Design
1	1	VG 425 211CA	Vario gas cooktop 400 Series
2	1	VG 415 211 CA	Vario gas 400 Series
3	1	VP 414 611	Vario Teppan Yaki 400 Series
4	2	VL 414 111	Vario downdraft ventilation 400 series
5	2	AA 490 711	Control knob ventilation
6	2	AR 413 722	200 and 400 series recirculation blower
7	2	VA 420 00	Connection strip for flush mounting
		Or VA 420 010	Connection strip for surface mounting
8	2	AD 724 042	Connecting piece for VL ND 150
9	2	AD 751 010	Aluflex pipe DN150
10	2	AD 413 722	Oval flex duct
11	2	AA 413 722	Recirculation kit
12	2	AA 010 410	Air exhaust grille
13	2	AA 414 010	Ventilation moulding for VL414 next to gas appliance
14	1	AD 990 091	Adhesive tape for duct components Aluminium