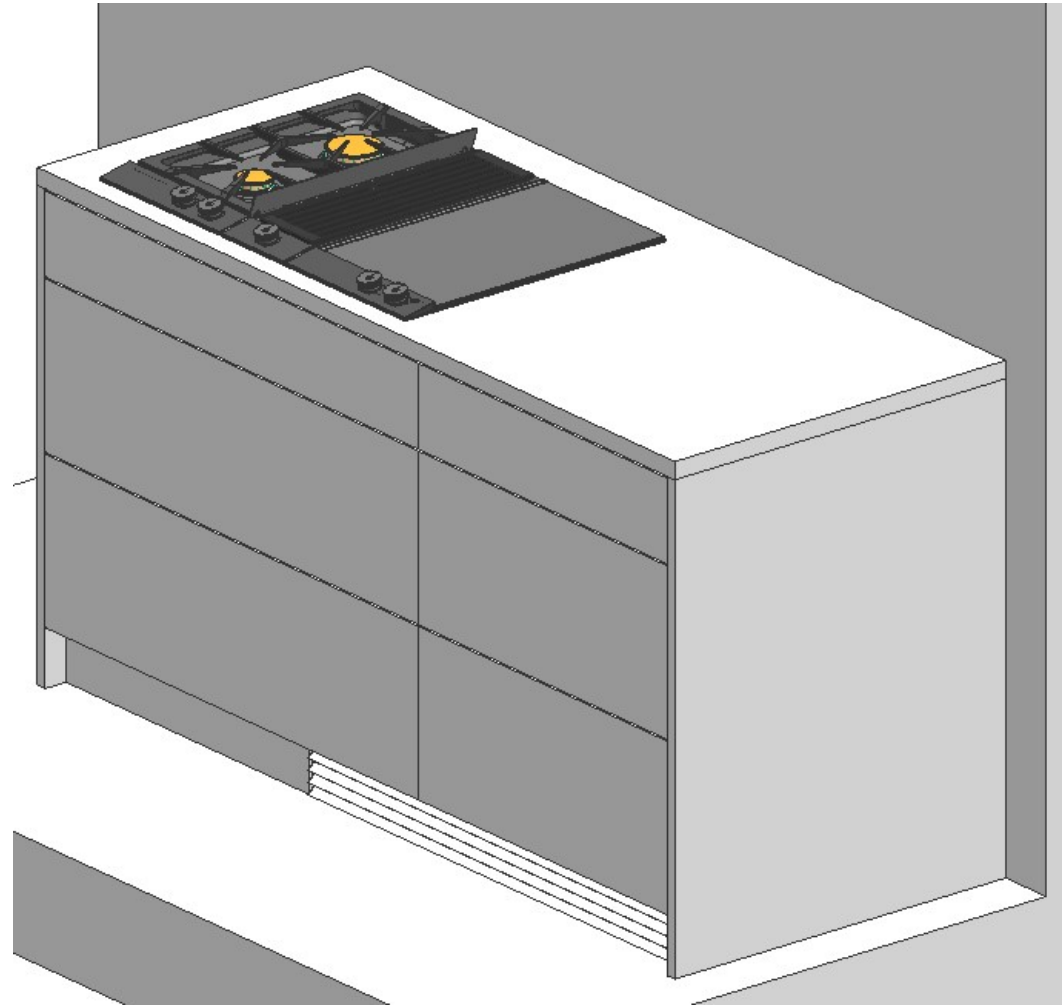


VL200 Wall Configuration.

VL200120 downdraft + AR413722 recirculating blower

9 September 2019

Configuration	VL200120_ 2 Varios_AR413722_1	Min. Work depth	25 ⁹ / ₁₆ " (650 mm)	Ventilation mode	Air recirculation
Type reference cooktops	VI 230 620 + VG 232 220CA	Type reference ventilation appliance	VL 200 120	Type reference remote fan unit	AR 413 722



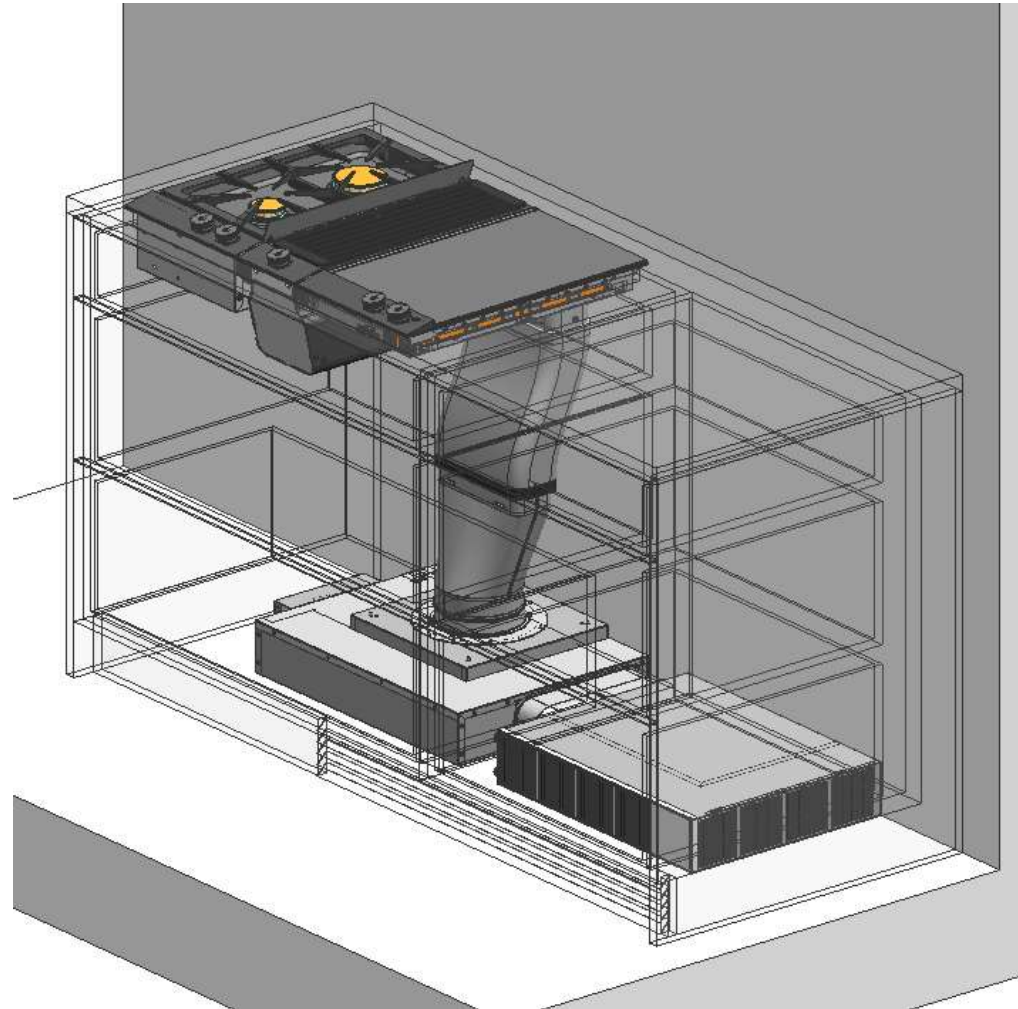
BSH Hausgeräte GmbH, Carl-Wery-Strasse 34, 81739 Munich, Germany
 Chairman of the Supervisory Board: Uwe Raschke
 Directors: Dr. Karsten Ottenberg (Chairman), Matthias Ginthum, Johannes Närgler, Dr. Michael Schöllhorn
 Registered Office: Munich; Registry Court: Amtsgericht München, HRB 75534, WEEE-Reg.-No. DE 57986696

The drawing is provided only as an example.
 Please pay attention to the technical installation drawings in the Gaggenau Models and Dimensions. The technical drawings are not based on customer data and are merely for installation recommendation. The exact installation must be verified by the kitchen studio on an individual customer basis.

9 September 2019

Configuration	VL200120_ 2 Varios_AR413722_1	Min. Work depth	25 ⁹ / ₁₆ " (650 mm)	Ventilation mode	Air recirculation
Type reference cooktops	VI 230 620 + VG 232 220CA	Type reference ventilation appliance	VL 200 120	Type reference remote fan unit	AR 413 722

Installation view

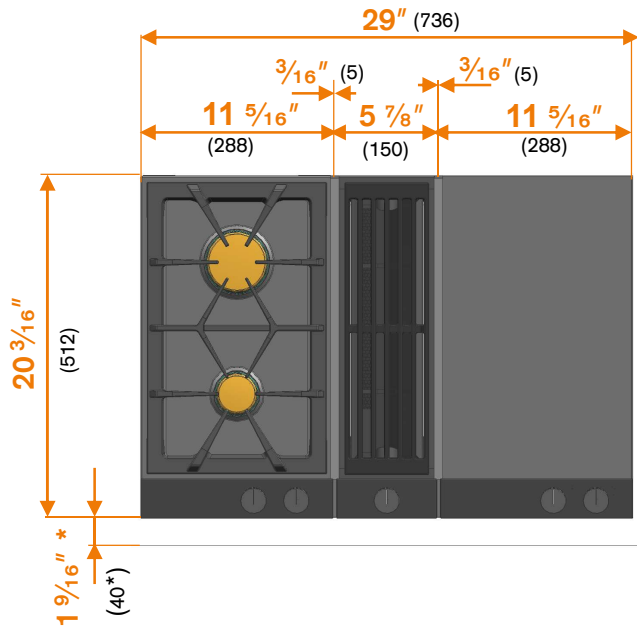


BSH Hausgeräte GmbH, Carl-Wery-Strasse 34, 81739 Munich, Germany
 Chairman of the Supervisory Board: Uwe Raschke
 Directors: Dr. Karsten Ottenberg (Chairman), Matthias Ginthum, Johannes Närgler, Dr. Michael Schöllhorn
 Registered Office: Munich; Registry Court: Amtsgericht München, HRB 75534, WEEE-Reg.-No. DE 57986696

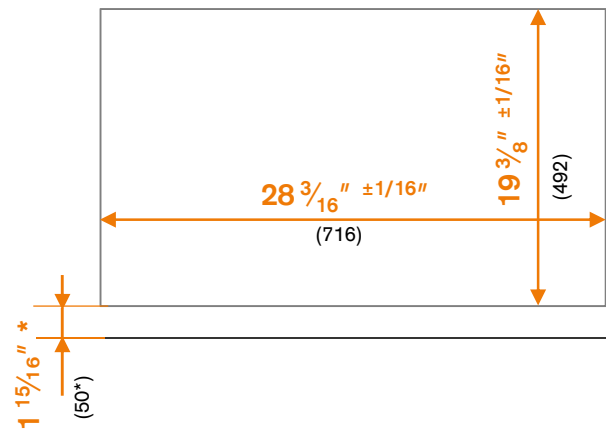
The drawing is provided only as an example.
 Please pay attention to the technical installation drawings in the Gaggenau Models and Dimensions. The technical drawings are not based on customer data and are merely for installation recommendation. The exact installation must be verified by the kitchen studio on an individual customer basis.

Configuration	VL200120_ 2 Varios_AR413722_1	Min. Work depth	25 9/16" (650 mm)	Ventilation mode	Air recirculation
Type reference cooktops	VI 230 620 + VG 232 220CA	Type reference ventilation appliance	VL 200 120	Type reference remote fan unit	AR 413 722

Top view



Cut-out dimensions.

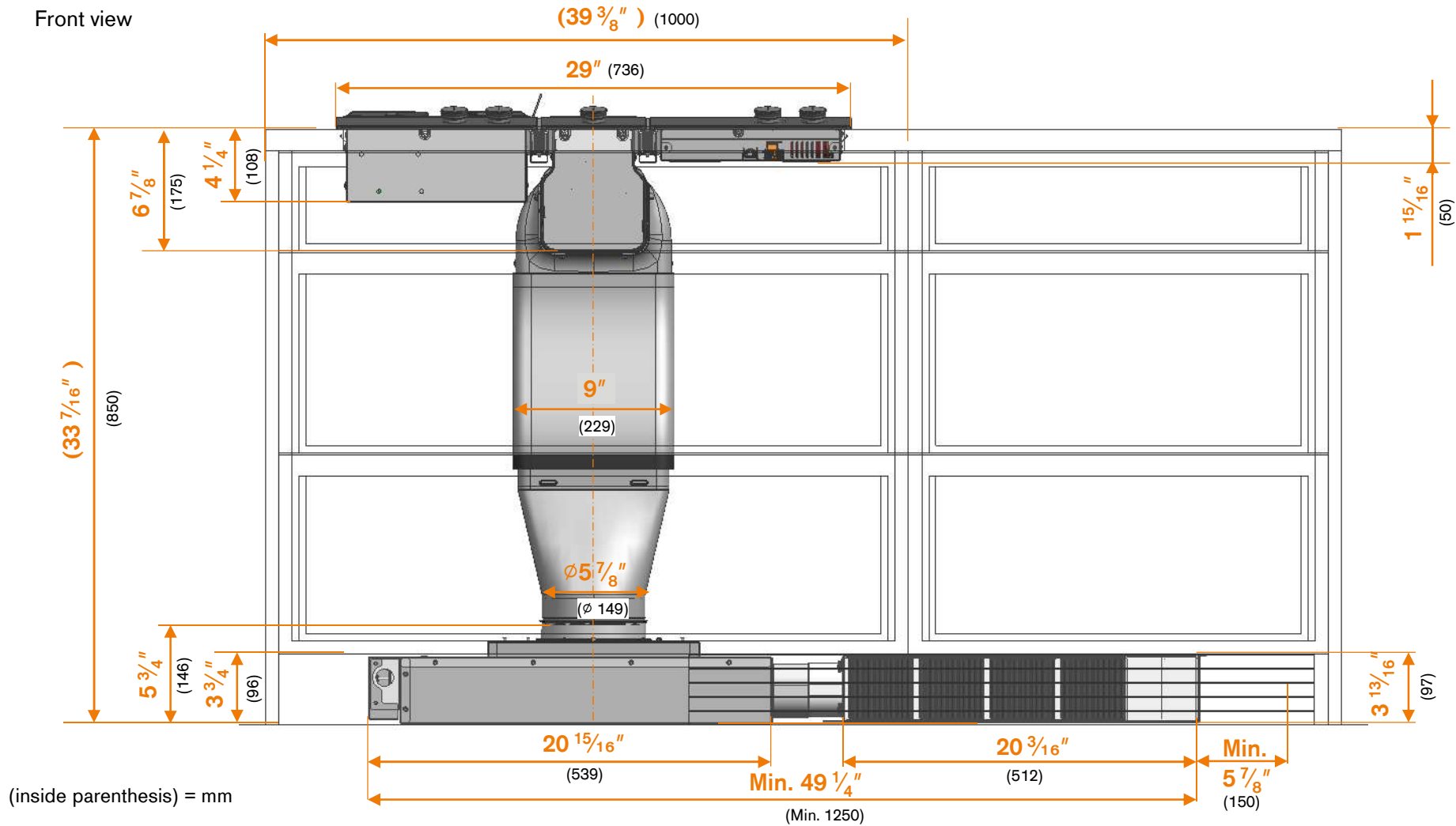


* : Min. recommended distance. Distance can be adjusted
(inside parenthesis) = mm

9 September 2019

Configuration	VL200120_ 2 Varios_AR413722_1	Min. Work depth	25 ⁹ / ₁₆ " (650 mm)	Ventilation mode	Air recirculation
Type reference cooktops	VI 230 620 + VG 232 220CA	Type reference ventilation appliance	VL 200 120	Type reference remote fan unit	AR 413 722

Front view

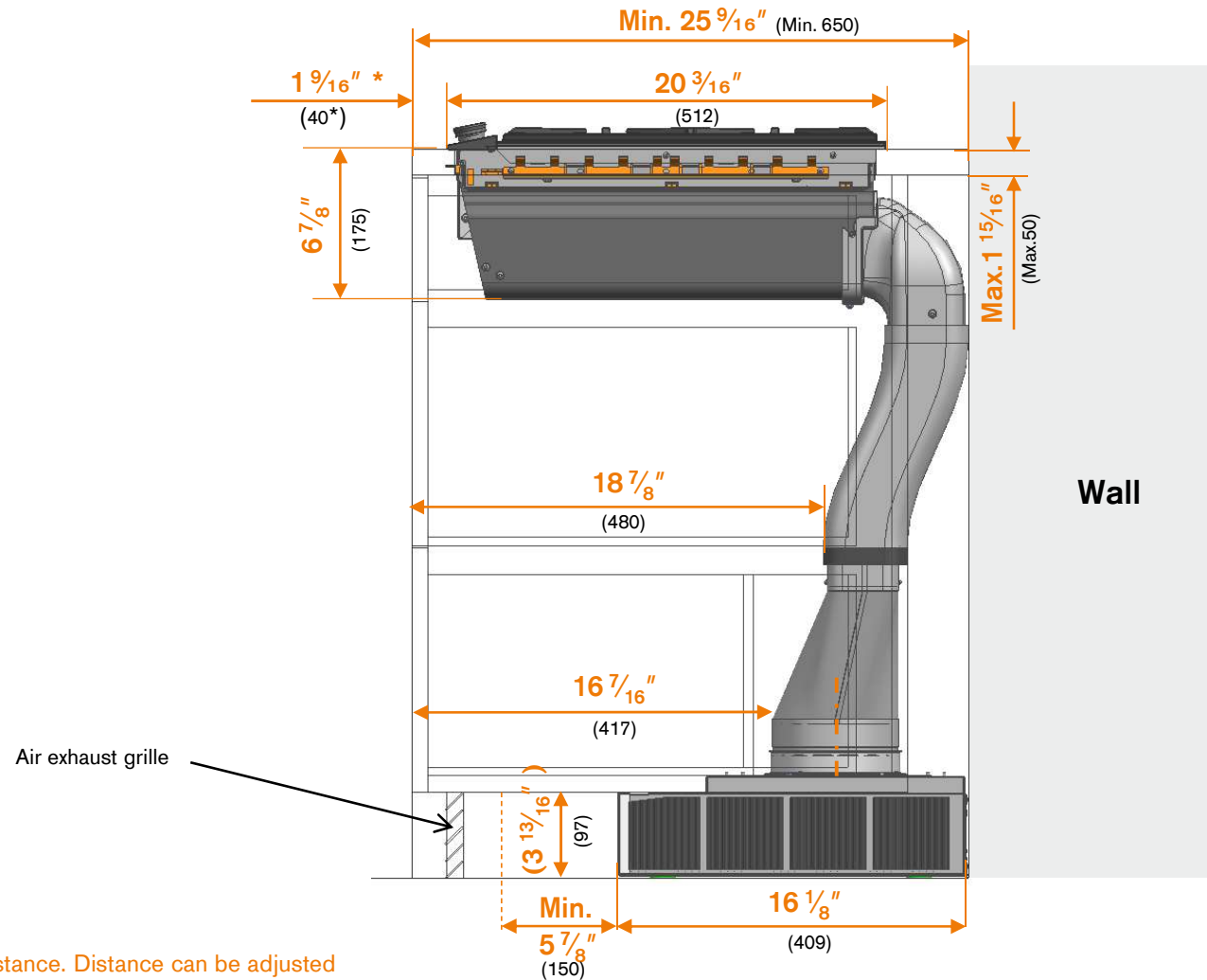


BSH Hausgeräte GmbH, Carl-Wery-Strasse 34, 81739 Munich, Germany
 Chairman of the Supervisory Board: Uwe Raschke
 Directors: Dr. Karsten Ottenberg (Chairman), Matthias Ginthum, Johannes Närgler, Dr. Michael Schöllhorn
 Registered Office: Munich; Registry Court: Amtsgericht München, HRB 75534, WEEE-Reg.-No. DE 57986696

The drawing is provided only as an example. Please pay attention to the technical installation drawings in the Gaggenau Models and Dimensions. The technical drawings are not based on customer data and are merely for installation recommendation. The exact installation must be verified by the kitchen studio on an individual customer basis.

Configuration	VL200120_ 2 Varios_AR413722_1	Min. Work depth	25 9/16" (650 mm)	Ventilation mode	Air recirculation
Type reference cooktops	VI 230 620 + VG 232 220CA	Type reference ventilation appliance	VL 200 120	Type reference remote fan unit	AR 413 722

Front view

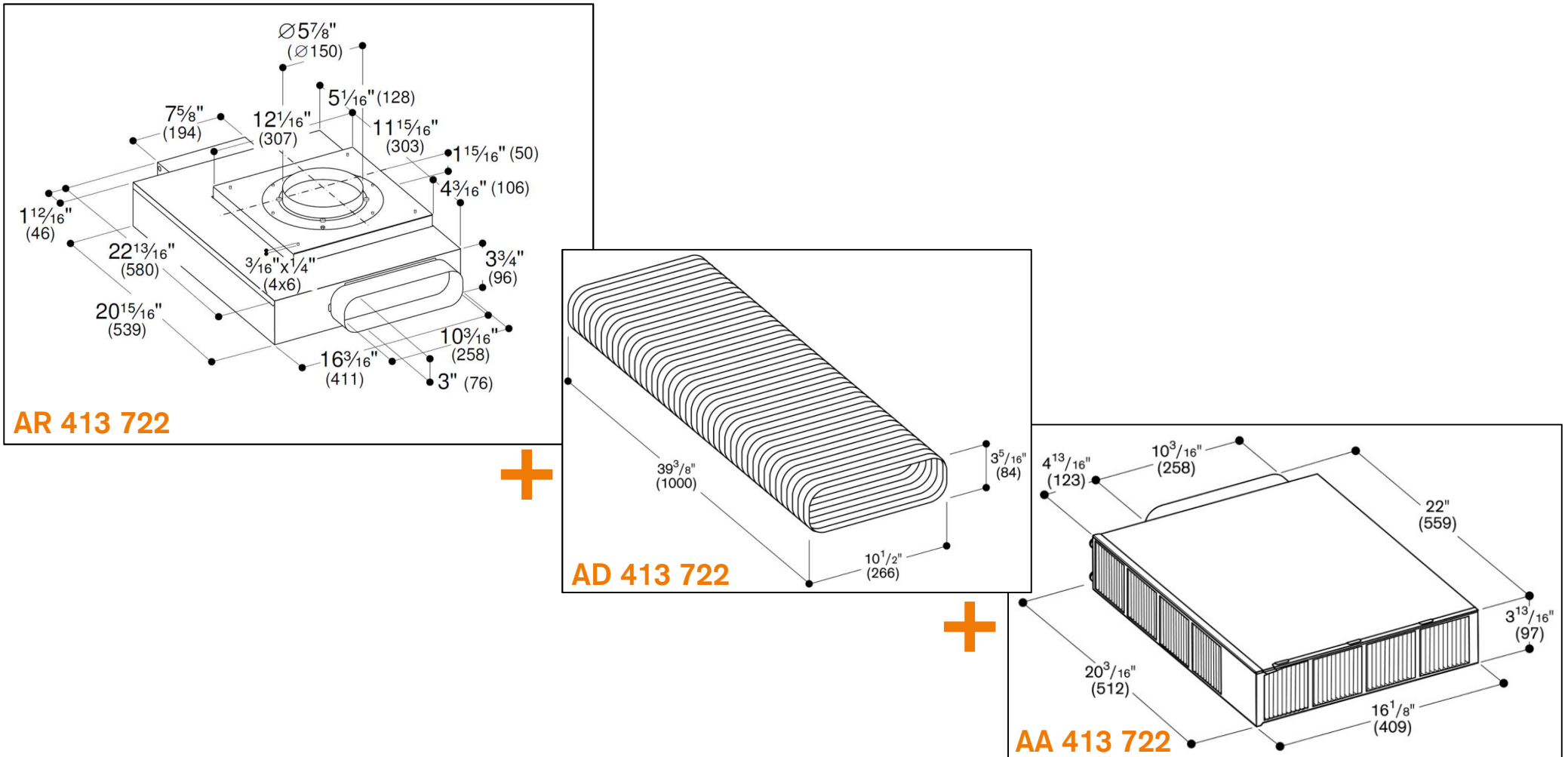


* : Recommended distance. Distance can be adjusted

(inside parenthesis) = mm

Configuration	VL200120_ 2 Varios_AR413722_1	Min. Work depth	25 9/16" (650 mm)	Ventilation mode	Air recirculation
Type reference cooktops	VI 230 620 + VG 232 220CA	Type reference ventilation appliance	VL 200 120	Type reference remote fan unit	AR 413 722

Information about remote fan unit AR 413 722 / AD 413722 /AA 413 722

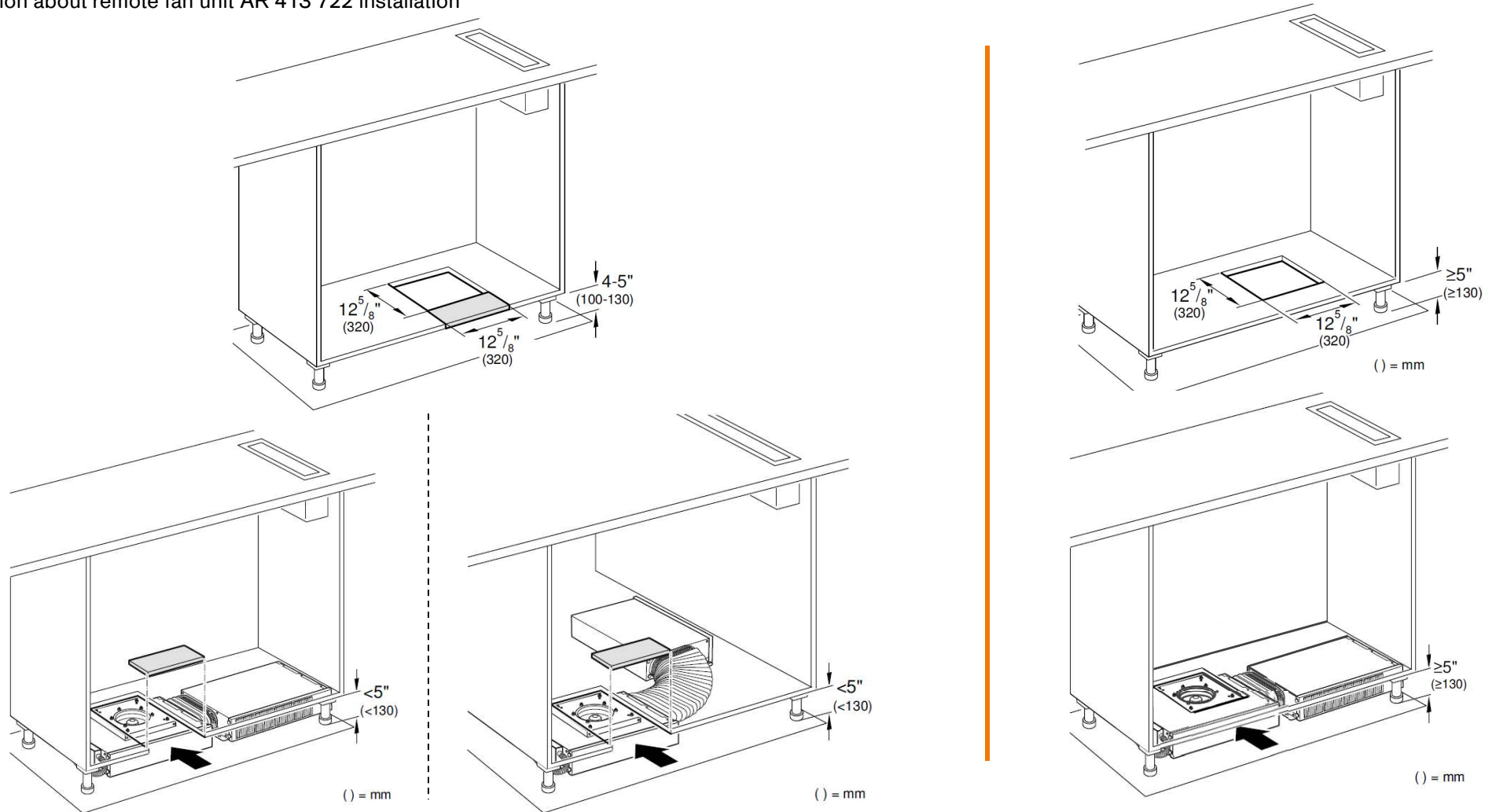


BSH Hausgeräte GmbH, Carl-Wery-Strasse 34, 81739 Munich, Germany
 Chairman of the Supervisory Board: Uwe Raschke
 Directors: Dr. Karsten Ottenberg (Chairman), Matthias Ginthum, Johannes Närgler, Dr. Michael Schöllhorn
 Registered Office: Munich; Registry Court: Amtsgericht München, HRB 75534, WEEE-Reg.-No. DE 57986696

The drawing is provided only as an example.
 Please pay attention to the technical installation drawings in the Gaggenau Models and Dimensions. The technical drawings are not based on customer data and are merely for installation recommendation. The exact installation must be verified by the kitchen studio on an individual customer basis.

Configuration	VL200120_ 2 Varios_AR413722_1	Min. Work depth	25 ⁹ / ₁₆ " (650 mm)	Ventilation mode	Air recirculation
Type reference cooktops	VI 230 620 + VG 232 220CA	Type reference ventilation appliance	VL 200 120	Type reference remote fan unit	AR 413 722

Information about remote fan unit AR 413 722 installation

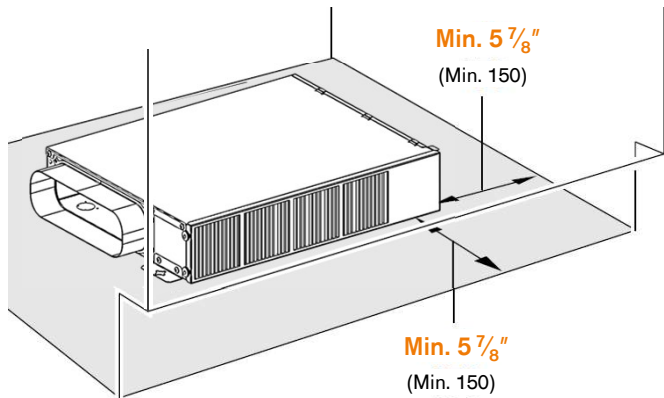


BSH Hausgeräte GmbH, Carl-Wery-Strasse 34, 81739 Munich, Germany
 Chairman of the Supervisory Board: Uwe Raschke
 Directors: Dr. Karsten Ottenberg (Chairman), Matthias Ginthum, Johannes Närgler, Dr. Michael Schöllhorn
 Registered Office: Munich; Registry Court: Amtsgericht München, HRB 75534, WEEE-Reg.-No. DE 57986696

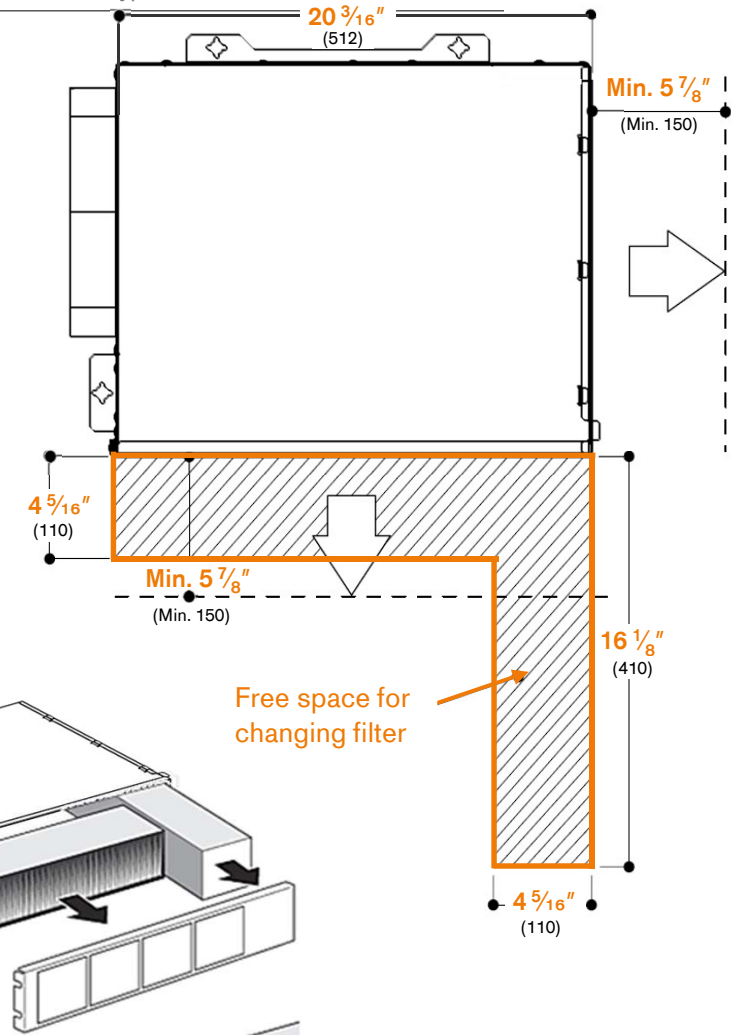
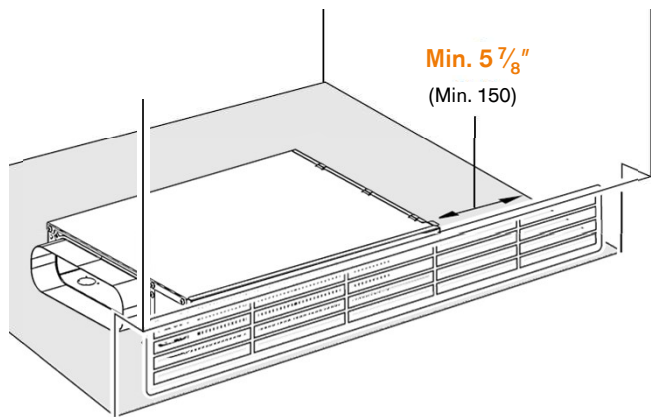
The drawing is provided only as an example.
 Please pay attention to the technical installation drawings in the Gaggenau Models and Dimensions. The technical drawings are not based on customer data and are merely for installation recommendation. The exact installation must be verified by the kitchen studio on an individual customer basis.

Configuration	VL200120_ 2 Varios_AR413722_1	Min. Work depth	25 ⁹ / ₁₆ " (650 mm)	Ventilation mode	Air recirculation
Type reference cooktops	VI 230 620 + VG 232 220CA	Type reference ventilation appliance	VL 200 120	Type reference remote fan unit	AR 413 722

Information about Recirculation kit AA 413 722 installation

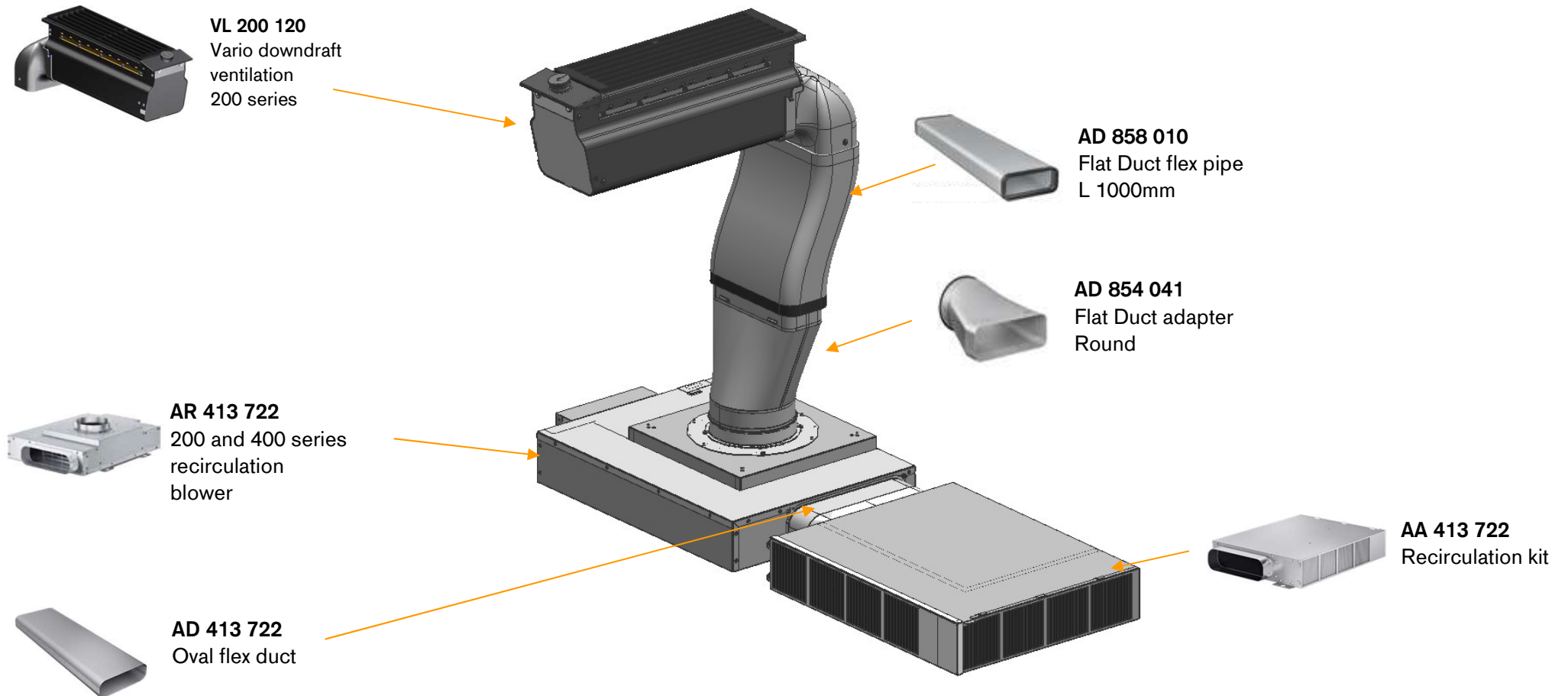


Min. distance for air outlet



Configuration	VL200120_ 2 Varios_AR413722_1	Min. Work depth	25 9/16" (650 mm)	Ventilation mode	Air recirculation
Type reference cooktops	VI 230 620 + VG 232 220CA	Type reference ventilation appliance	VL 200 120	Type reference remote fan unit	AR 413 722

Mounting information



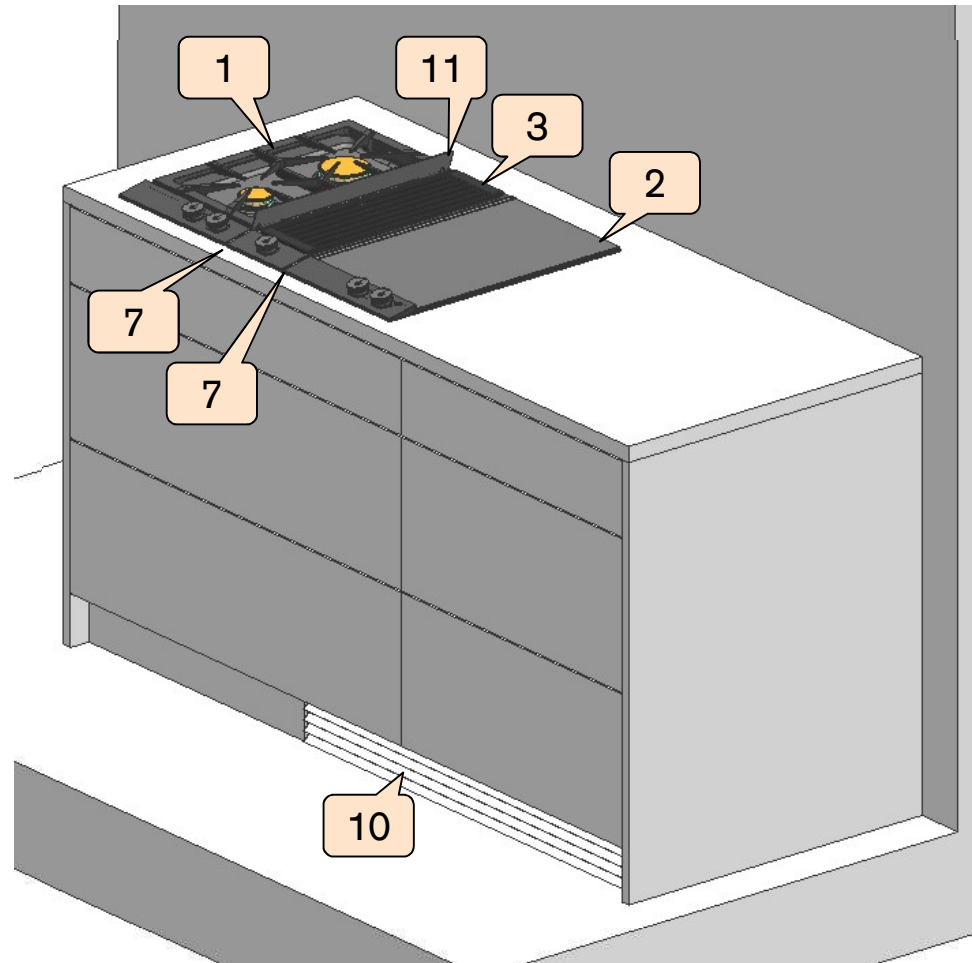
BSH Hausgeräte GmbH, Carl-Wery-Strasse 34, 81739 Munich, Germany
 Chairman of the Supervisory Board: Uwe Raschke
 Directors: Dr. Karsten Ottenberg (Chairman), Matthias Ginthum, Johannes Närger, Dr. Michael Schöllhorn
 Registered Office: Munich; Registry Court: Amtsgericht München, HRB 75534, WEEE-Reg.-No. DE 57986696

The drawing is provided only as an example.
 Please pay attention to the technical installation drawings in the Gaggenau Models and Dimensions. The technical drawings are not based on customer data and are merely for installation recommendation. The exact installation must be verified by the kitchen studio on an individual customer basis.

9 September 2019

Configuration	VL200120_ 2 Varios_AR413722_1	Min. Work depth	25 ⁹ / ₁₆ " (650 mm)	Ventilation mode	Air recirculation
Type reference cooktops	VI 230 620 + VG 232 220CA	Type reference ventilation appliance	VL 200 120	Type reference remote fan unit	AR 413 722

Mounting information



See "Bill of material" page

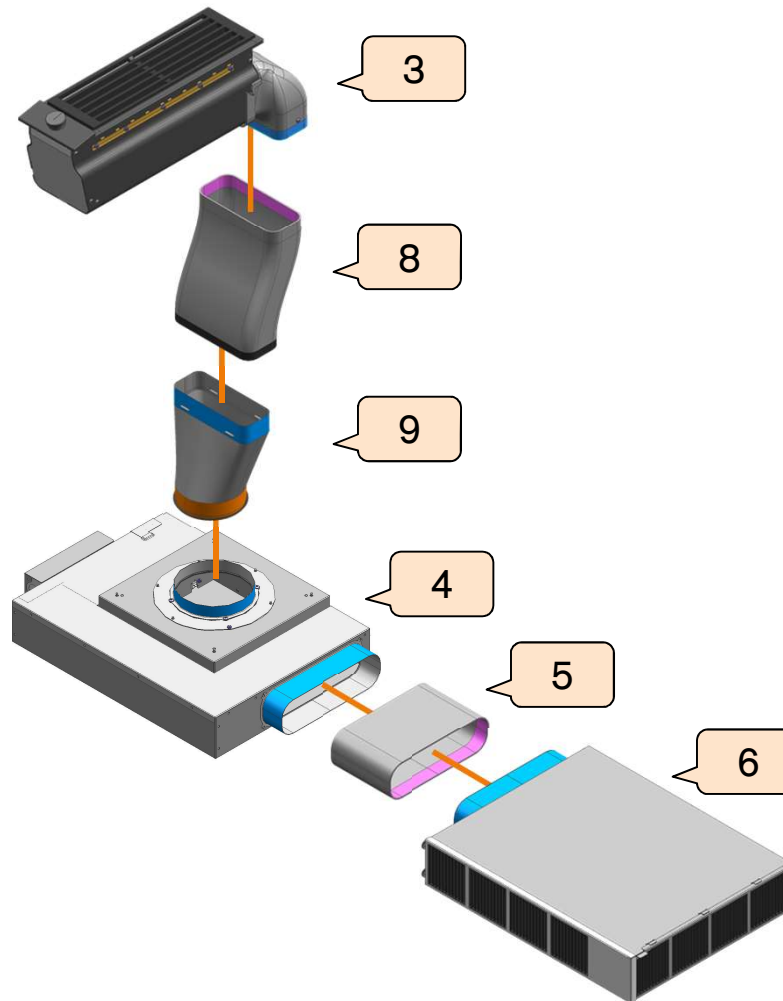
BSH Hausgeräte GmbH, Carl-Wery-Strasse 34, 81739 Munich, Germany
 Chairman of the Supervisory Board: Uwe Raschke
 Directors: Dr. Karsten Ottenberg (Chairman), Matthias Ginthum, Johannes Närgler, Dr. Michael Schöllhorn
 Registered Office: Munich; Registry Court: Amtsgericht München, HRB 75534, WEEE-Reg.-No. DE 57986696

The drawing is provided only as an example.
 Please pay attention to the technical installation drawings in the Gaggenau Models and Dimensions. The technical drawings are not based on customer data and are merely for installation recommendation. The exact installation must be verified by the kitchen studio on an individual customer basis.


9 September 2019


Configuration	VL200120_ 2 Varios_AR413722_1	Min. Work depth	25 ⁹ / ₁₆ " (650 mm)	Ventilation mode	Air recirculation
Type reference cooktops	VI 230 620 + VG 232 220CA	Type reference ventilation appliance	VL 200 120	Type reference remote fan unit	AR 413 722

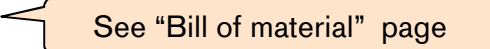
Mounting information



 Blue :
male connection

 Pink:
female connection

 Orange:
into male connection DN 150

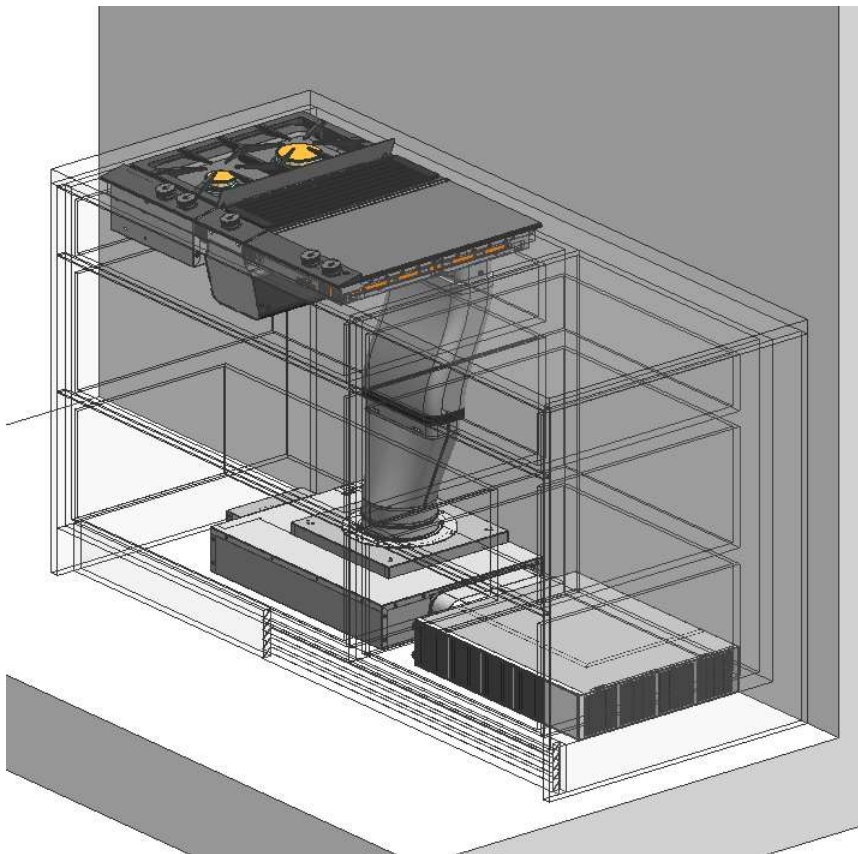
 See "Bill of material" page

BSH Hausgeräte GmbH, Carl-Wery-Strasse 34, 81739 Munich, Germany
 Chairman of the Supervisory Board: Uwe Raschke
 Directors: Dr. Karsten Ottenberg (Chairman), Matthias Ginthum, Johannes Närger, Dr. Michael Schöllhorn
 Registered Office: Munich; Registry Court: Amtsgericht München, HRB 75534, WEEE-Reg.-No. DE 57986696

The drawing is provided only as an example.
 Please pay attention to the technical installation drawings in the Gaggenau Models and Dimensions. The technical drawings are not based on customer data and are merely for installation recommendation. The exact installation must be verified by the kitchen studio on an individual customer basis.

Configuration	VL200120_ 2 Varios_AR413722_1	Min. Work depth	25 ⁹ / ₁₆ " (650 mm)	Ventilation mode	Air recirculation
Type reference cooktops	VI 230 620 + VG 232 220CA	Type reference ventilation appliance	VL 200 120	Type reference remote fan unit	AR 413 722

Bill of material



Position	Quantity	Part number	Appliance Design / Accessories Design
1	1	VG 231 220CA	Vario gas cooktop 200 series
2	1	VI 230 620	Vario flex induction cooktop 200 series
3	1	VL 200 120	Vario Downdraft ventilation 200 series
4	1	AR 413 722	200 and 400 series recirculation blower
5	1	AD 413 722	Oval flex duct
6	1	AA 413 722	Recirculation kit
7	2	VV 200 020	Black Connection strip
8	1	AD 858 010	Flat Duct flex pipe L 1000mm
9	1	AD 854 041	Flat Duct adapter Round
10	1	AA 010 410	Air exhaust grille
11	1	LS 041 001	Air baffle for VL 200 next to gas appliance
	1	AD 990 091	Adhesive tape for duct components Aluminium

Please check the availability of the products in your country.