

## **VL200 Wall Configuration.**

**(2) VL200120 downdraft + (2) AR410710 recirculating blower**

9 September 2019

Configuration	VL200120_3 Varios_AR 410 710_ wall	Min. Work depth	25 <sup>9</sup> / <sub>16</sub> " (650 mm)	Ventilation mode	Air recirculation
Type reference cooktops	VG 231 220CA – VI 263 620- VP 230 620	Type reference ventilation appliance	VL 200 120	Type reference remote fan unit	AR 410 710



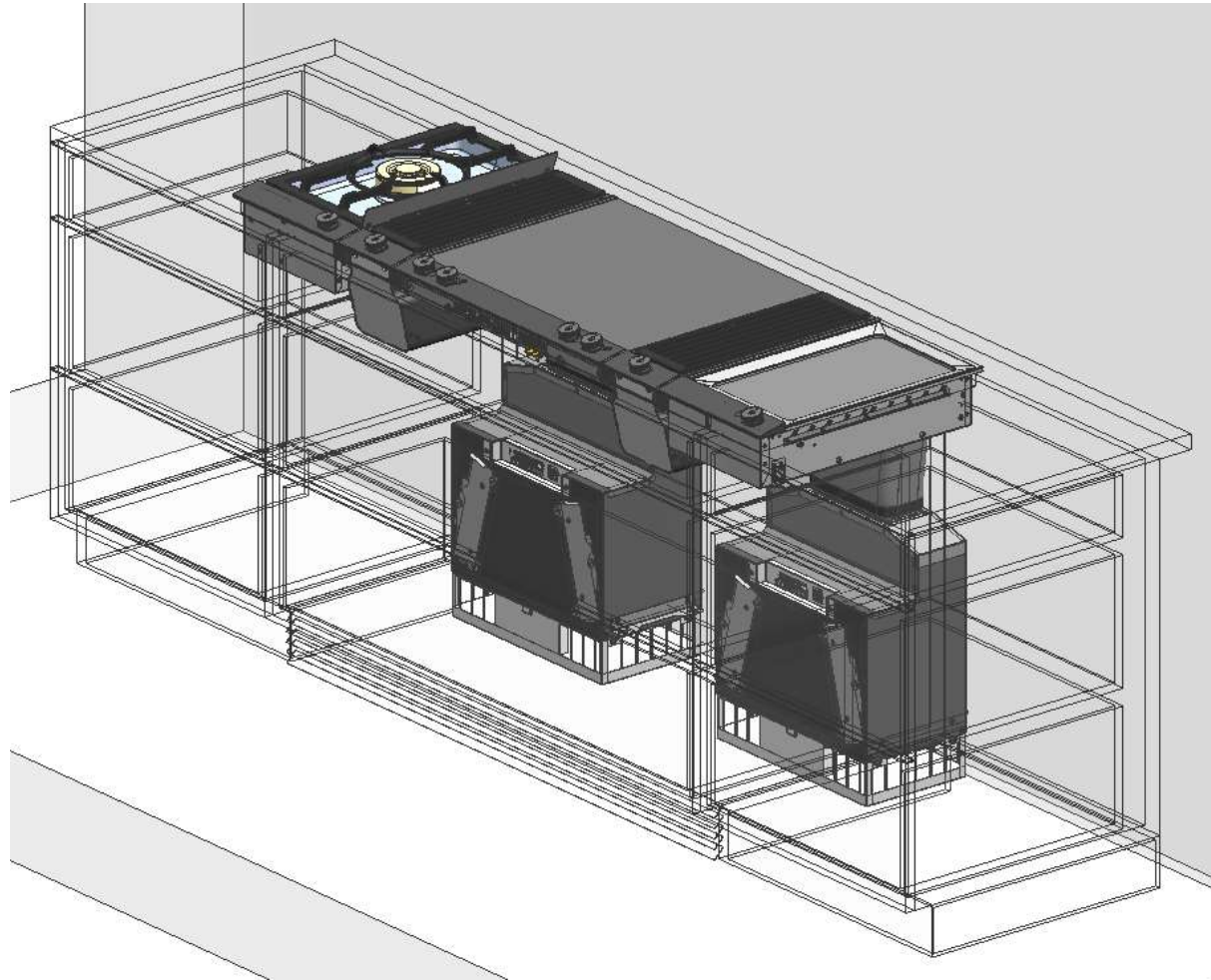
BSH Hausgeräte GmbH, Carl-Wery-Strasse 34, 81739 Munich, Germany  
 Chairman of the Supervisory Board: Uwe Raschke  
 Directors: Dr. Karsten Ottenberg (Chairman), Matthias Ginthum, Johannes Närger, Dr. Michael Schöllhorn  
 Registered Office: Munich; Registry Court: Amtsgericht München, HRB 75534, WEEE-Reg.-No. DE 57986696

The drawing is provided only as an example.  
 Please pay attention to the technical installation drawings in the Gaggenau Models and Dimensions. The technical drawings are not based on customer data and are merely for installation recommendation. The exact installation must be verified by the kitchen studio on an individual customer basis.

9 September 2019

Configuration	VL200120_3 Varios_AR 410 710_wall	Min. Work depth	25 9/16" (650 mm)	Ventilation mode	Air recirculation
Type reference cooktops	VG 231 220CA – VI 263 620- VP 230 620	Type reference ventilation appliance	VL 200 120	Type reference remote fan unit	AR 410 710

## Installation view



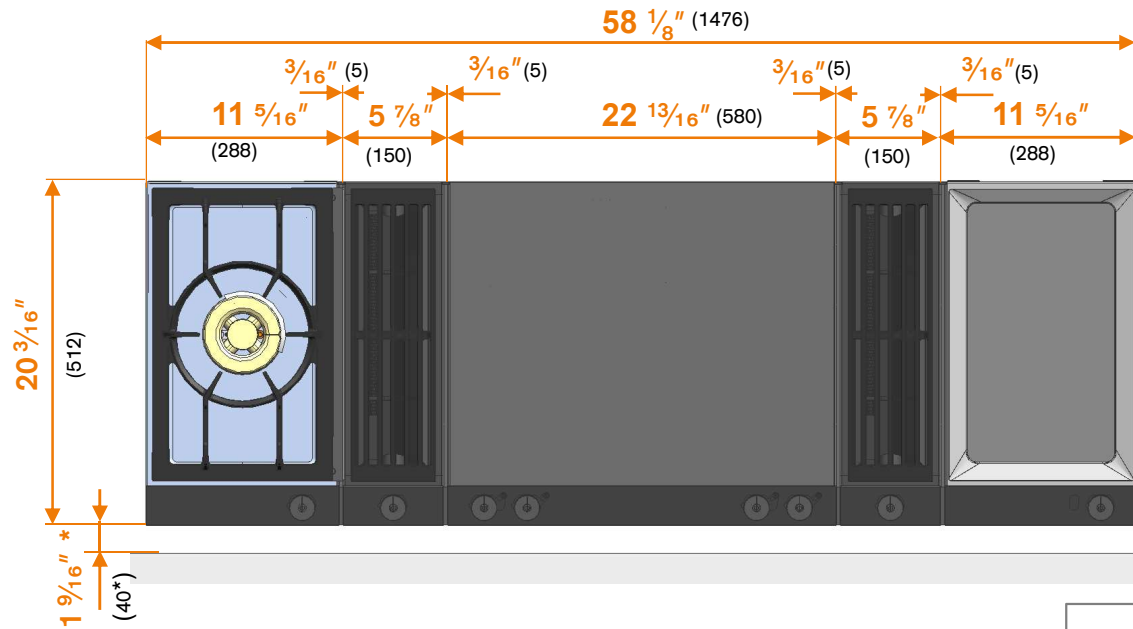
BSH Hausgeräte GmbH, Carl-Wery-Strasse 34, 81739 Munich, Germany  
 Chairman of the Supervisory Board: Uwe Raschke  
 Directors: Dr. Karsten Ottenberg (Chairman), Matthias Ginthum, Johannes Närgler, Dr. Michael Schöllhorn  
 Registered Office: Munich; Registry Court: Amtsgericht München, HRB 75534, WEEE-Reg.-No. DE 57986696

The drawing is provided only as an example.  
 Please pay attention to the technical installation drawings in the Gaggenau Models and Dimensions. The technical drawings are not based on customer data and are merely for installation recommendation. The exact installation must be verified by the kitchen studio on an individual customer basis.

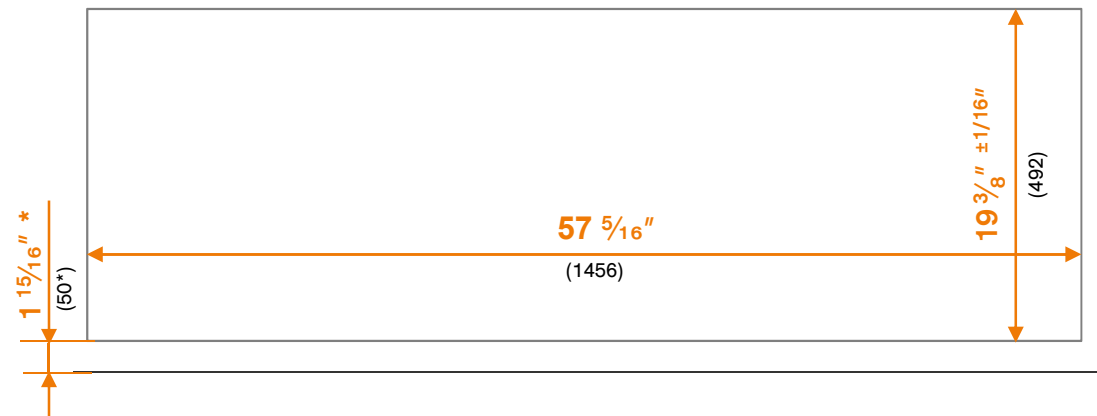
9 September 2019

Configuration	VL200120_3 Varios_AR 410 710_ wall	Min. Work depth	25 9/16" (650 mm)	Ventilation mode	Air recirculation
Type reference cooktops	VG 231 220CA – VI 263 620- VP 230 620	Type reference ventilation appliance	VL 200 120	Type reference remote fan unit	AR 410 710

## Top view



## Cut-out dimensions.



\* : Recommended distance. Distance can be adjusted  
(inside parenthesis) = mm

**GAGGENAU**

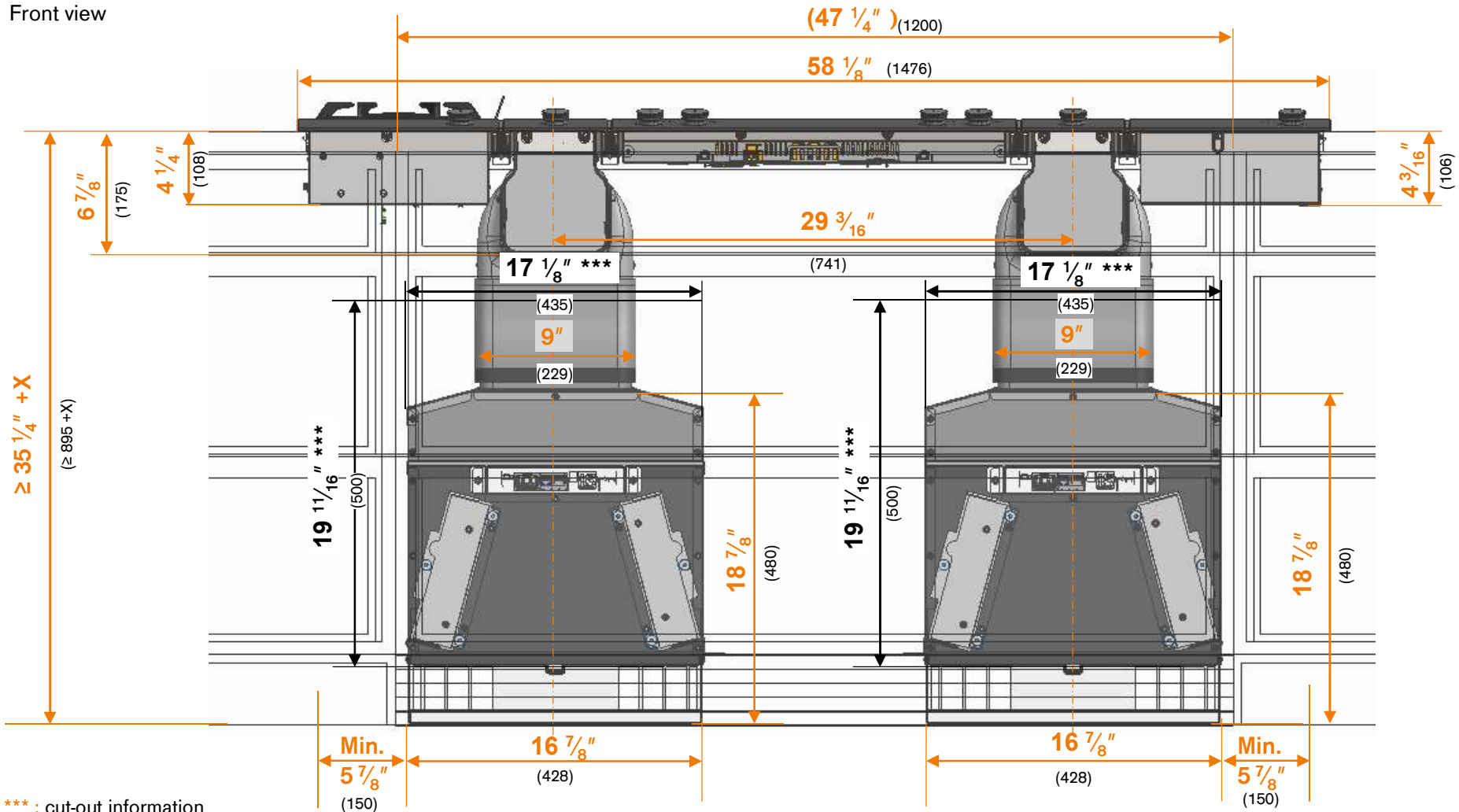
BSH Hausgeräte GmbH, Carl-Wery-Strasse 34, 81739 Munich, Germany  
 Chairman of the Supervisory Board: Uwe Raschke  
 Directors: Dr. Karsten Ottenberg (Chairman), Matthias Ginthum, Johannes Närgler, Dr. Michael Schöllhorn  
 Registered Office: Munich; Registry Court: Amtsgericht München, HRB 75534, WEEE-Reg.-No. DE 57986696

The drawing is provided only as an example.  
 Please pay attention to the technical installation drawings in the Gaggenau Models and Dimensions. The technical drawings are not based on customer data and are merely for installation recommendation. The exact installation must be verified by the kitchen studio on an individual customer basis.

9 September 2019

Configuration	VL200120_3 Varios_AR 410 710_wall	Min. Work depth	25 9/16" (650 mm)	Ventilation mode	Air recirculation
Type reference cooktops	VG 231 220CA – VI 263 620- VP 230 620	Type reference ventilation appliance	VL 200 120	Type reference remote fan unit	AR 410 710

Front view



\*\*\* : cut-out information  
(inside parenthesis) = mm



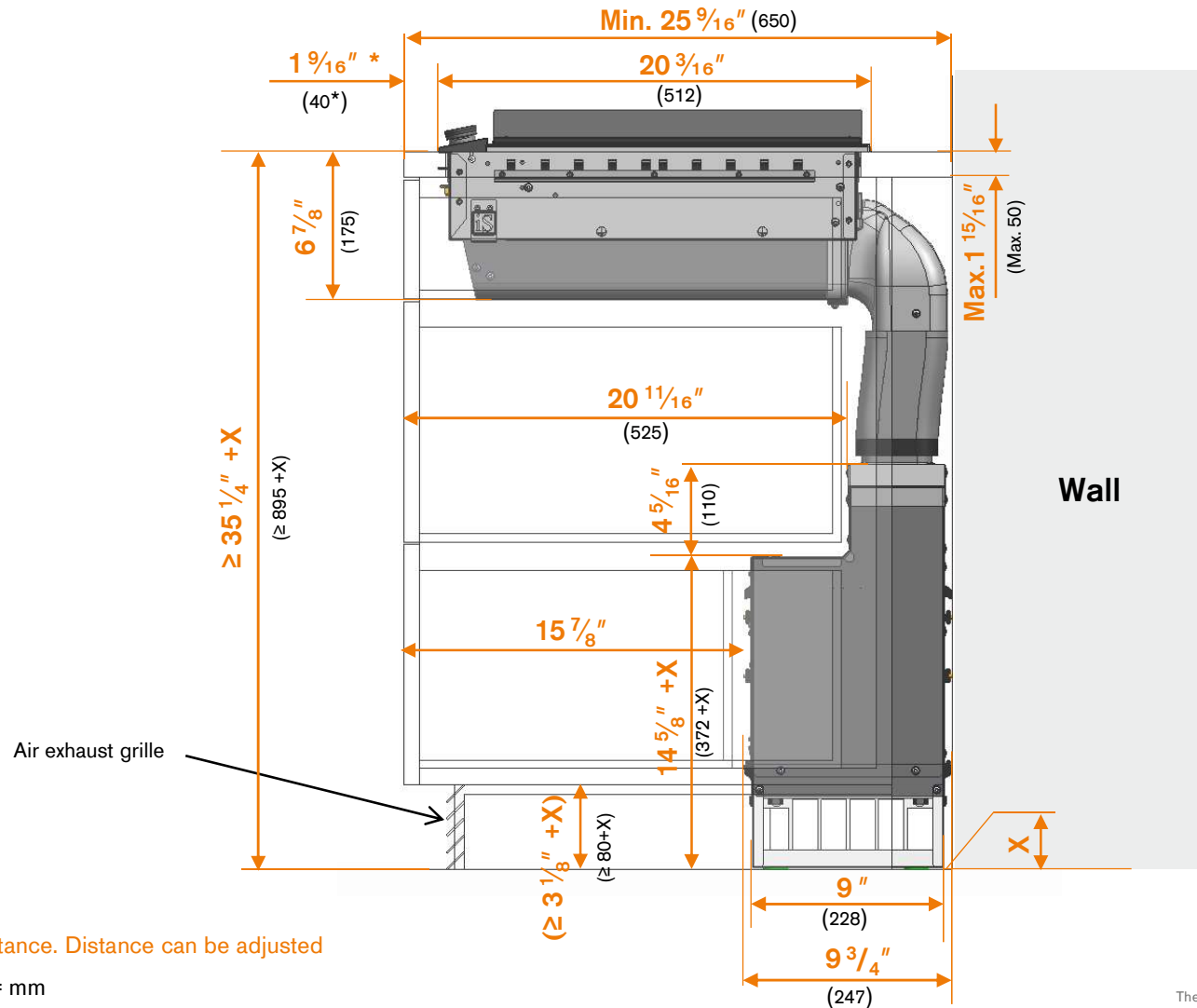
BSH Hausgeräte GmbH, Carl-Wery-Strasse 34, 81739 Munich, Germany  
 Chairman of the Supervisory Board: Uwe Raschke  
 Directors: Dr. Karsten Ottenberg (Chairman), Matthias Ginthum, Johannes Närgler, Dr. Michael Schöllhorn  
 Registered Office: Munich; Registry Court: Amtsgericht München, HRB 75534, WEEE-Reg.-No. DE 57986696

The drawing is provided only as an example.  
 Please pay attention to the technical installation drawings in the Gaggenau Models and Dimensions. The technical drawings are not based on customer data and are merely for installation recommendation. The exact installation must be verified by the kitchen studio on an individual customer basis.

9 September 2019

Configuration	VL200120_3 Varios_AR 410 710_ wall	Min. Work depth	25 9/16" (650 mm)	Ventilation mode	Air recirculation
Type reference cooktops	VG 231 220CA – VI 263 620- VP 230 620	Type reference ventilation appliance	VL 200 120	Type reference remote fan unit	AR 410 710

## Front view

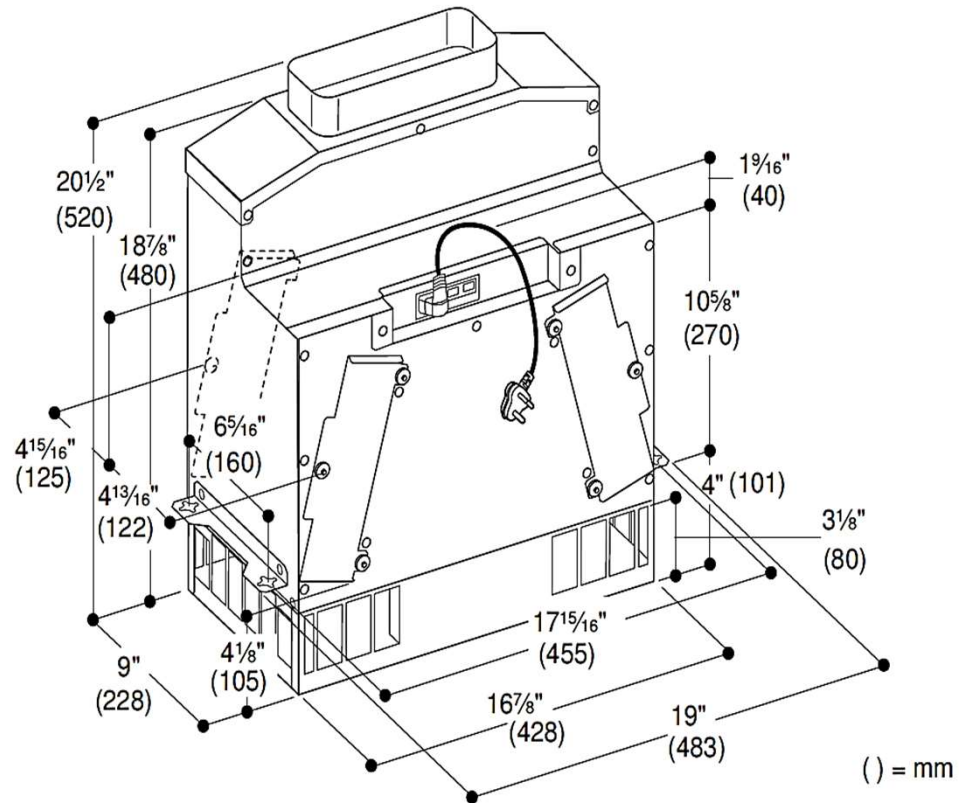


\* : Recommended distance. Distance can be adjusted

(inside parenthesis) = mm

Configuration	VL200120_3 Varios_AR 410 710_ wall	Min. Work depth	25 <sup>9</sup> / <sub>16</sub> " (650 mm)	Ventilation mode	Air recirculation
Type reference cooktops	VG 231 220CA – VI 263 620- VP 230 620	Type reference ventilation appliance	VL 200 120	Type reference remote fan unit	AR 410 710

## Information about remote fan unit AR 410 710



(inside parenthesis) = mm

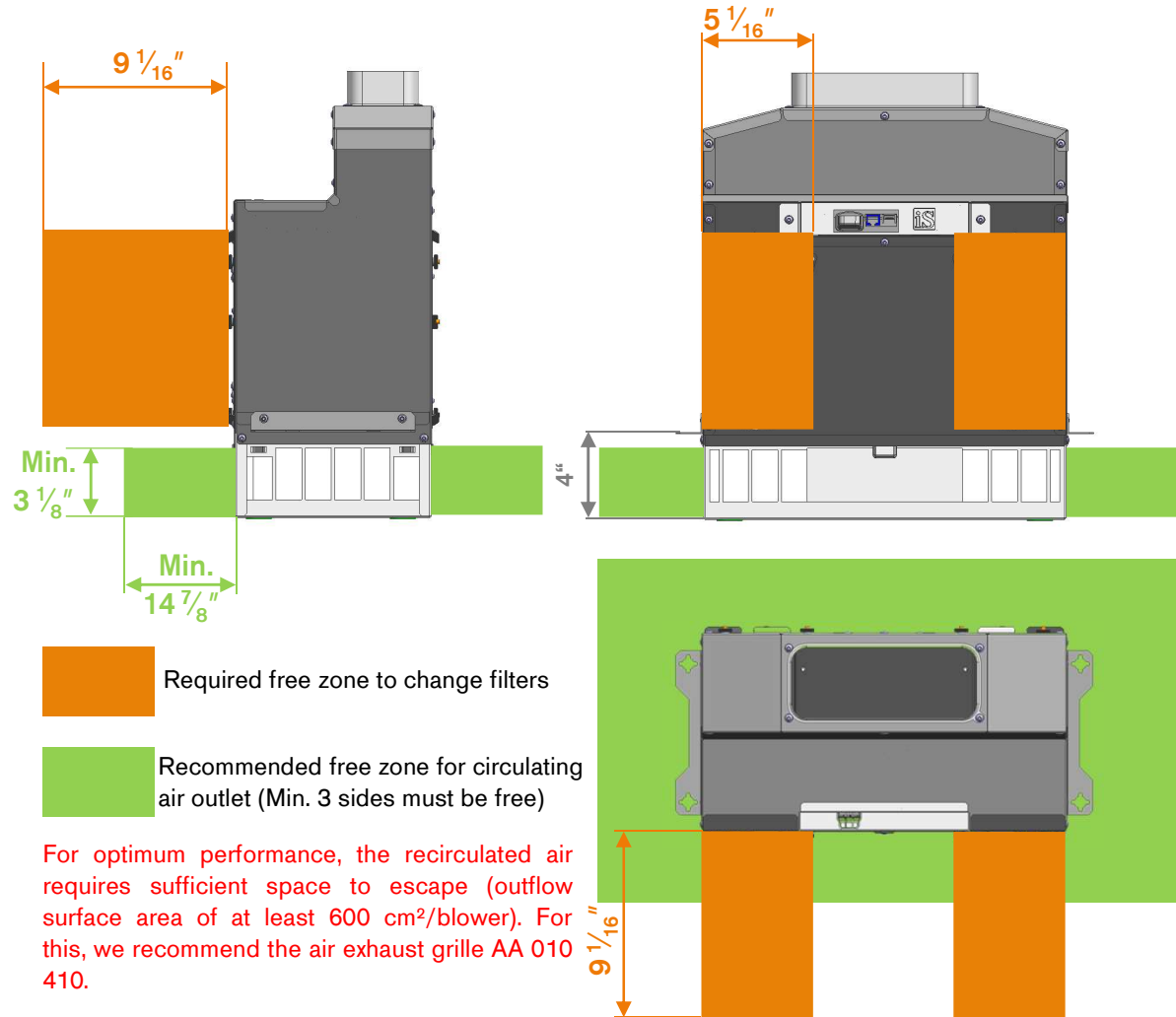
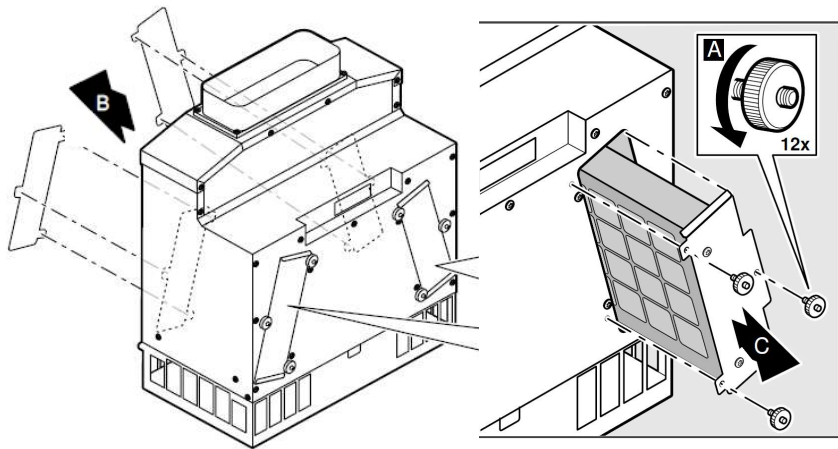
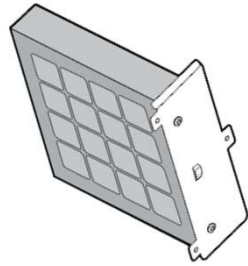
BSH Hausgeräte GmbH, Carl-Wery-Strasse 34, 81739 Munich, Germany  
 Chairman of the Supervisory Board: Uwe Raschke  
 Directors: Dr. Karsten Ottenberg (Chairman), Matthias Ginthum, Johannes Närger, Dr. Michael Schöllhorn  
 Registered Office: Munich; Registry Court: Amtsgericht München, HRB 75534, WEEE-Reg.-No. DE 57986696

Configuration	VL200120_ 3 Varios_AR 410 710_ wall	Min. Work depth	25 <sup>9</sup> / <sub>16</sub> " (650 mm)	Ventilation mode	Air recirculation
Type reference cooktops	VG 231 220CA – VI 263 620- VP 230 620	Type reference ventilation appliance	VL 200 120	Type reference remote fan unit	AR 410 710

## Information about installation

The filters come preinstalled in the appliance and can only be taken out from one side. If required by the installation situation, you can fit the filters on the opposite side so that they are still accessible following installation.

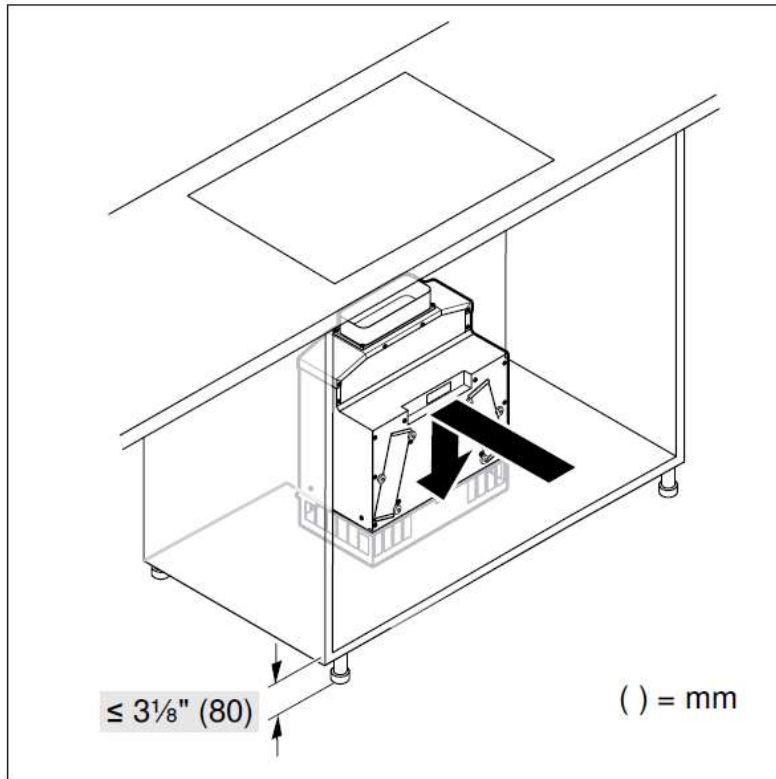
- 1- Loosen the screws on the filter covers on both sides (A). Remove the filter covers (B).
- 2- Carefully remove the filters with both hands (C).
- 3- Insert the filter on the opposite side. Secure each one using three straight-knurled nuts.
- 4- Use three straight-knurled nuts to secure each filter cover to the filter openings that are not in use.



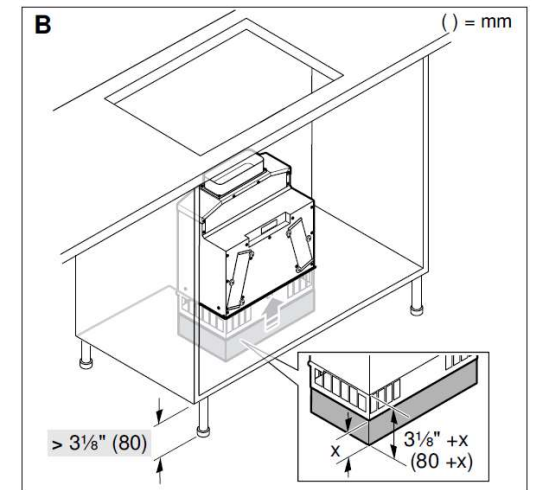
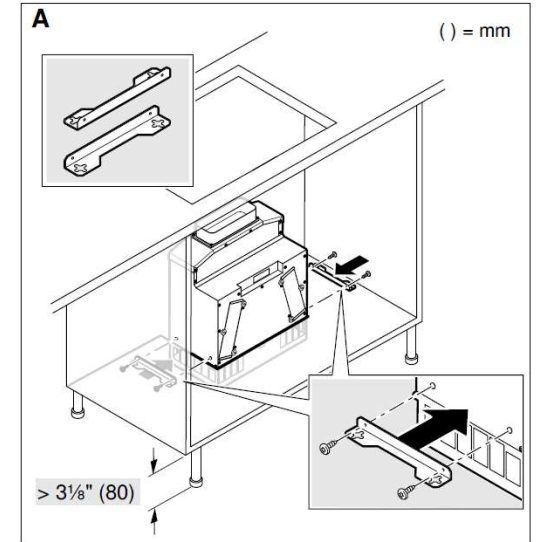
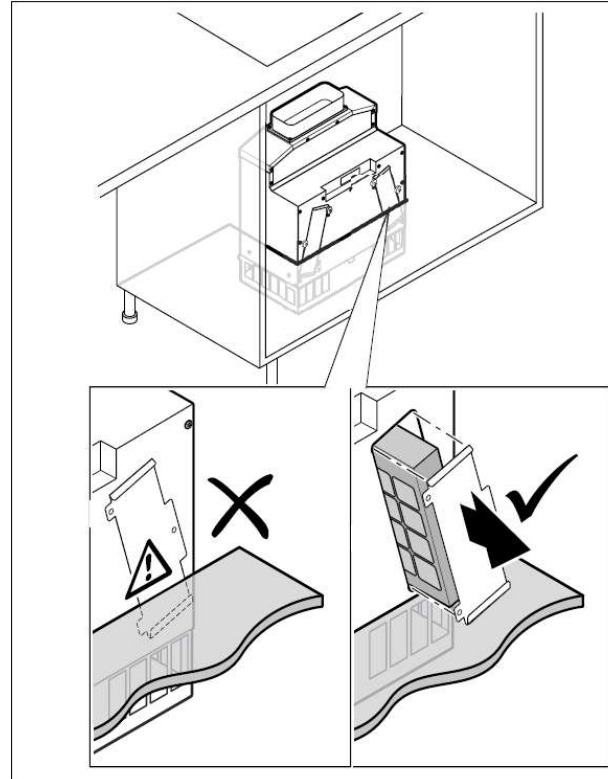


Configuration	VL200120_3 Varios_AR 410 710_Island	Min. Work depth	33 <sup>7</sup> / <sub>16</sub> " (850 mm)	Ventilation mode	Air recirculation
Type reference cooktops	VI 230 620 -VG 264 220CA – VP 230 620	Type reference ventilation appliance	VL 200 120	Type reference remote fan unit	AR 410 710

## Information about installation



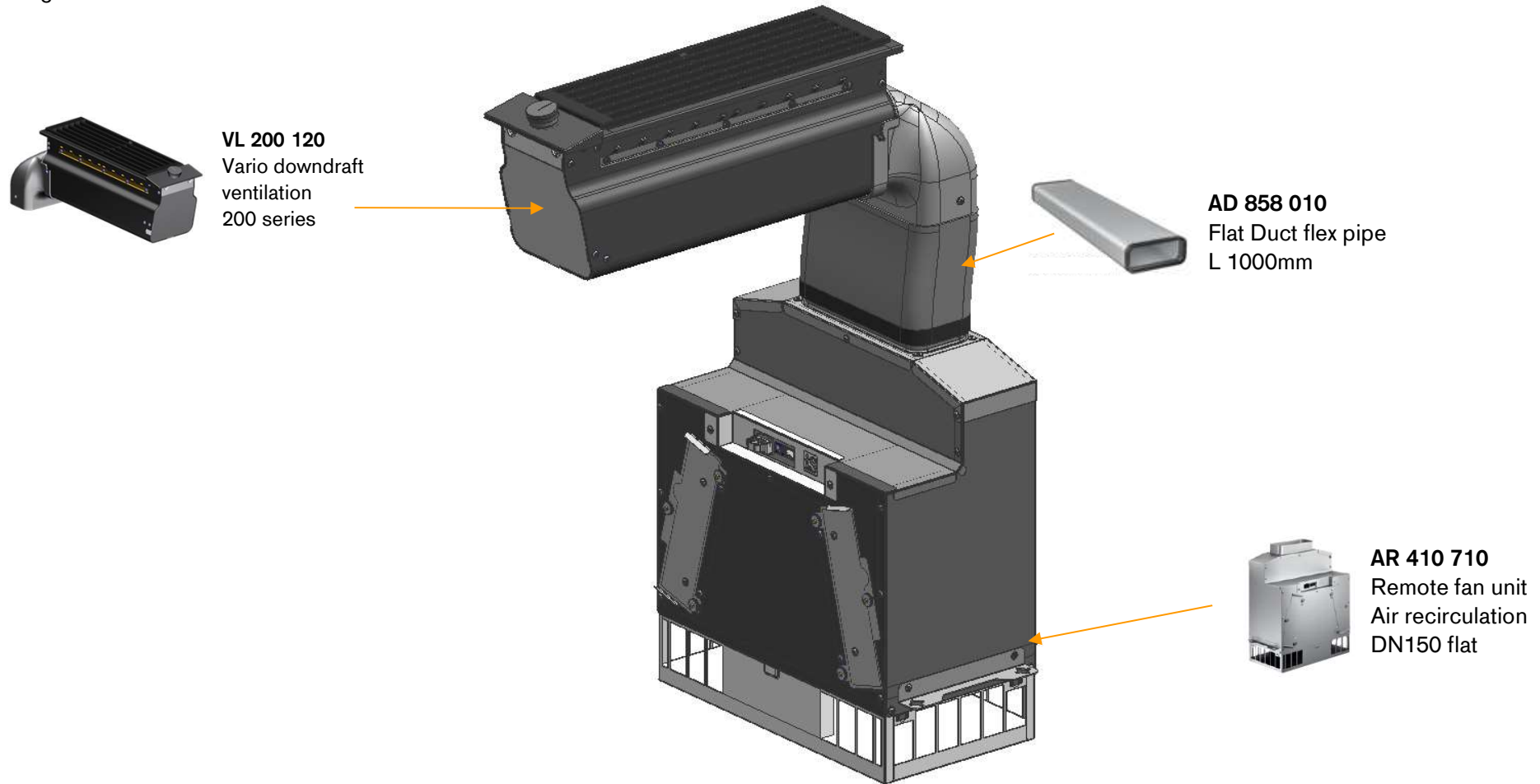
(inside parenthesis) = mm



The drawing is provided only as an example. Please pay attention to the technical installation drawings in the Gaggenau Models and Dimensions. The technical drawings are not based on customer data and are merely for installation recommendation. The exact installation must be verified by the kitchen studio on an individual customer basis.

Configuration	VL200120_3 Varios_AR 410 710_wall	Min. Work depth	25 9/16" (650 mm)	Ventilation mode	Air recirculation
Type reference cooktops	VG 231 220CA – VI 263 620- VP 230 620	Type reference ventilation appliance	VL 200 120	Type reference remote fan unit	AR 410 710

## Mounting information

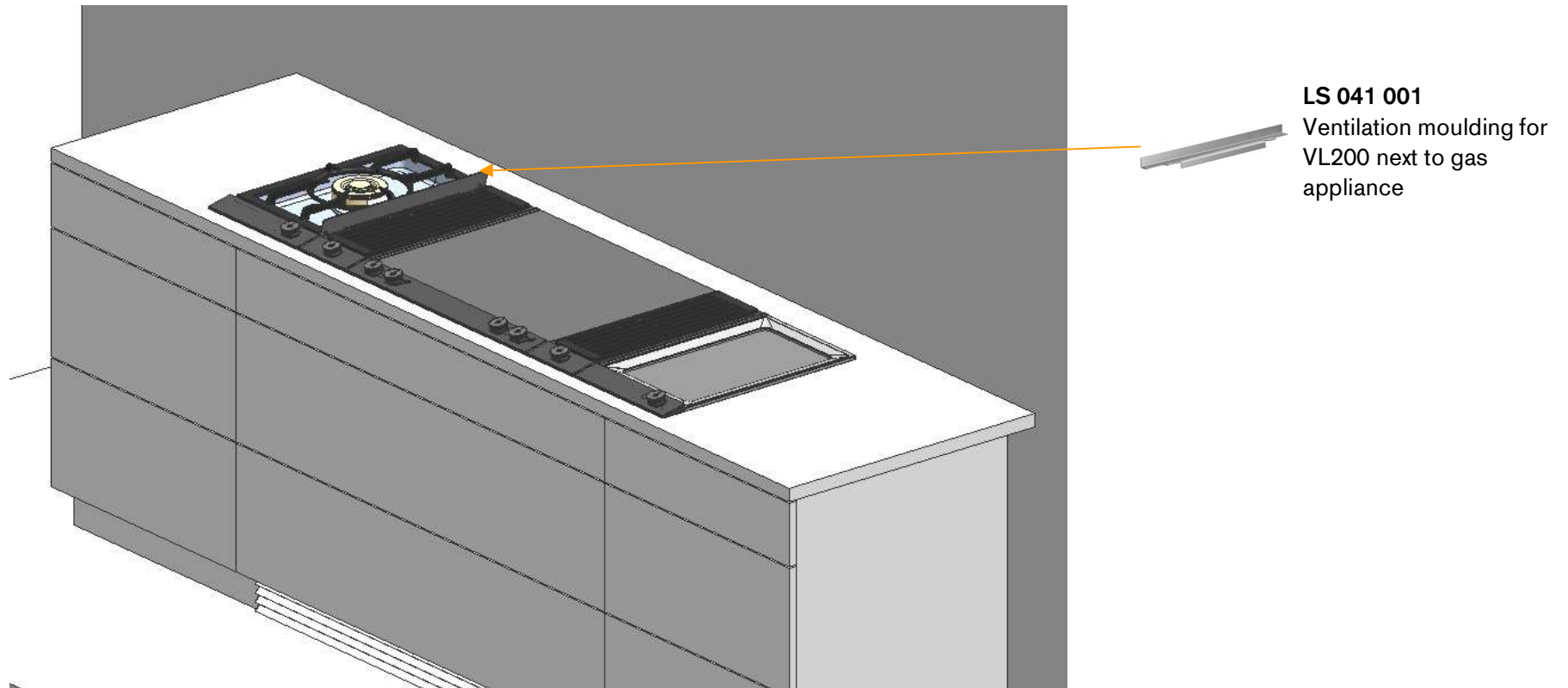


BSH Hausgeräte GmbH, Carl-Wery-Strasse 34, 81739 Munich, Germany  
 Chairman of the Supervisory Board: Uwe Raschke  
 Directors: Dr. Karsten Ottenberg (Chairman), Matthias Ginthum, Johannes Närgler, Dr. Michael Schöllhorn  
 Registered Office: Munich; Registry Court: Amtsgericht München, HRB 75534, WEEE-Reg.-No. DE 57986696

The drawing is provided only as an example.  
 Please pay attention to the technical installation drawings in the Gaggenau Models and Dimensions. The technical drawings are not based on customer data and are merely for installation recommendation. The exact installation must be verified by the kitchen studio on an individual customer basis.

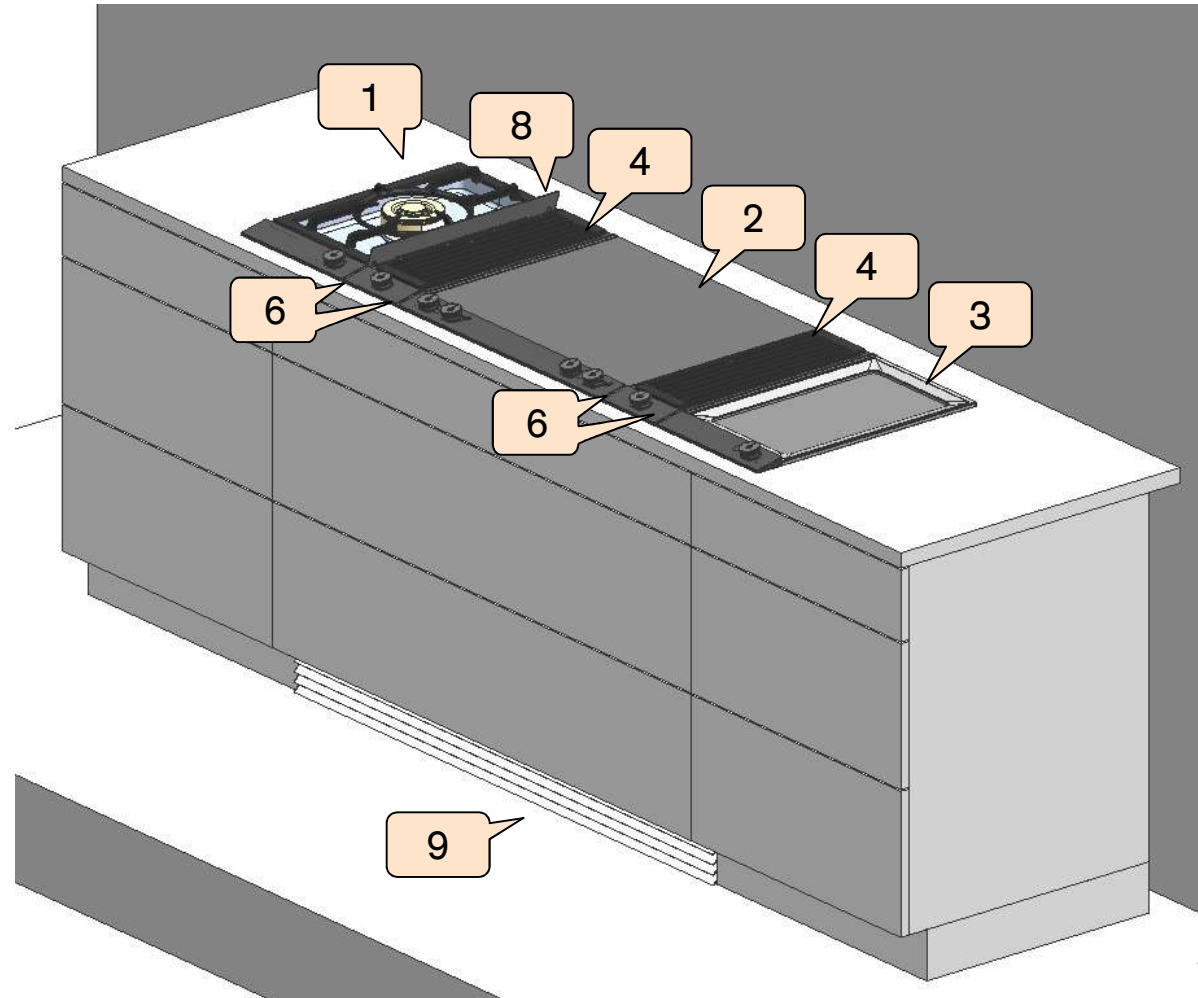
9 September 2019

Configuration	VL200120_3 Varios_AR 410 710_wall	Min. Work depth	25 9/16" (650 mm)	Ventilation mode	Air recirculation
Type reference cooktops	VG 231 220CA – VI 263 620- VP 230 620	Type reference ventilation appliance	VL 200 120	Type reference remote fan unit	AR 410 710



9 September 2019

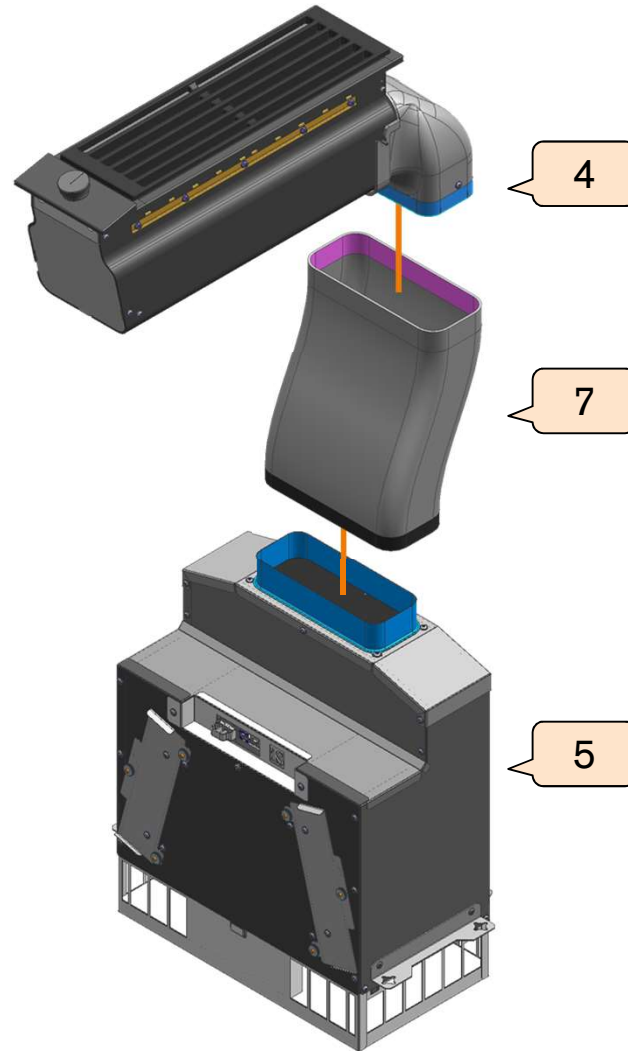
Configuration	VL200120_ 3 Varios_AR 410 710_ wall	Min. Work depth	25 9/16" (650 mm)	Ventilation mode	Air recirculation
Type reference cooktops	VG 231 220CA – VI 263 620- VP 230 620	Type reference ventilation appliance	VL 200 120	Type reference remote fan unit	AR 410 710



See "Bill of material" page

Configuration	VL200120_ 3 Varios_AR 410 710_ wall	Min. Work depth	25 9/16" (650 mm)	Ventilation mode	Air recirculation
Type reference cooktops	VG 231 220CA – VI 263 620- VP 230 620	Type reference ventilation appliance	VL 200 120	Type reference remote fan unit	AR 410 710

## Mounting information



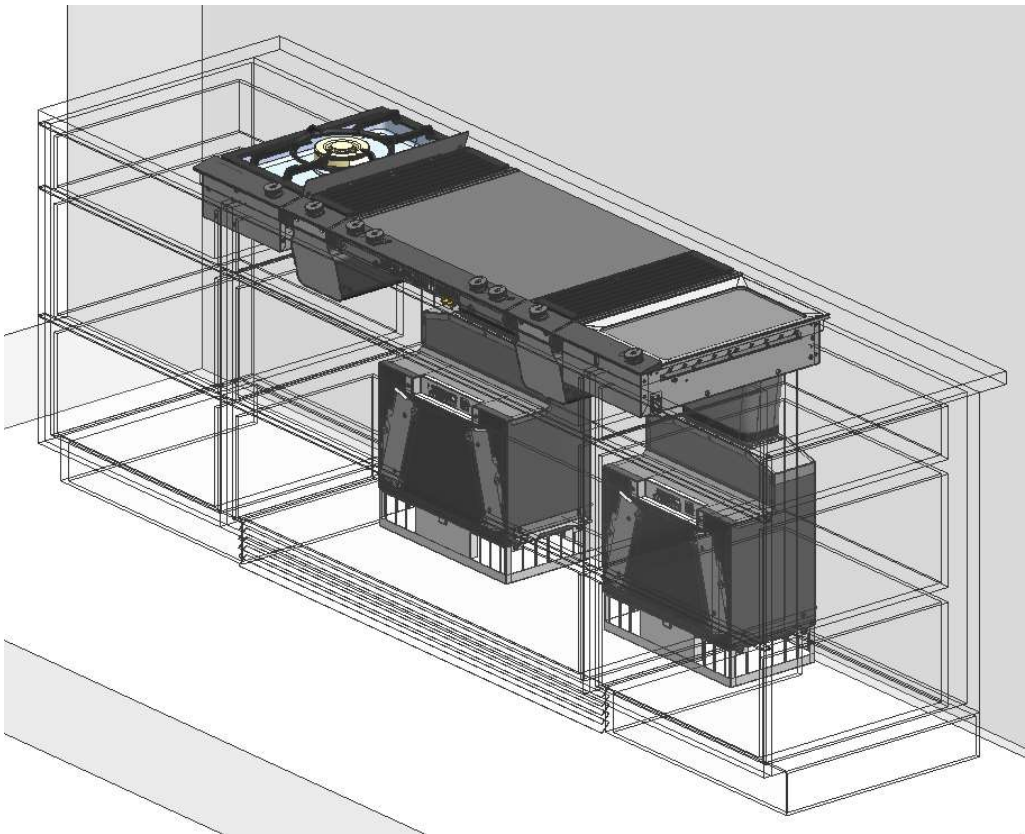
See "Bill of material" page

- Blue : male connection
- Pink: female connection
- Orange: into male connection DN 150

9 September 2019

Configuration	VL200120_3 Varios_AR 410 710_ wall	Min. Work depth	25 <sup>9</sup> / <sub>16</sub> " (650 mm)	Ventilation mode	Air recirculation
Type reference cooktops	VG 231 220CA – VI 263 620- VP 230 620	Type reference ventilation appliance	VL 200 120	Type reference remote fan unit	AR 410 710

## Bill of material



Position	Quantity	Part number	Appliance Design / Accessories Design
1	1	<b>VG 231 220CA</b>	Vario gas cooktop 200 Series
2	1	<b>VI 263 620</b>	Vario induction 200 Series
3	1	<b>VP 230 620</b>	Vario Teppan Yaki 200 Series
4	2	<b>VL 200 120</b>	Vario Downdraft ventilation 200 series
5	2	<b>AR 410 710</b>	Remote fan unit Air recirculation DN150 flat
6	4	<b>VV 200 020</b>	Black Connection strip
7	2	<b>AD 858 010</b>	Flat Duct flex pipe L 1000mm
8	1	<b>LS 041 001</b>	Ventilation moulding for VL 200 next to gas appliance
9	2	<b>AA 010 410</b>	Air exhaust grille
	1	<b>AD 990 091</b>	Adhesive tape for duct components Aluminium

Please check the availability of the products in your country.