



VK 414 610

Stainless steel
Width 15" (38 cm)

Included accessories

1 perforated cooking insert
1 unperforated cooking insert
1 glass lid
1 handle for inserts
1 residue strainer
1 water drain valve

Installation accessories

In combination of several Vario cooktops or VL 414 downdraft, connecting strips must be used. Choose respective VA 420 strip from one of the below, depending on type of installation.

VA 420 010

Connection strip for **surface-mount installation without appliance cover.**

VA 420 011

Connection strip for **surface-mount installation with appliance cover.**

VA 420 000

Connection strip for **flush installation without appliance cover.**

VA 420 001

Connection strip for **flush installation with appliance cover.**

VA 440 010

Stainless steel cover with mounting strip

VA 450 400

Stainless steel adjustment strip, width 15". Necessary accessory in a combination of 15" Varios with at least one appliance cover to compensate for the appliance depth.

AG 060 000

Drain installation set enables drainage of the cooking liquid into a suitable receptacle.

Optional accessories**FK 023 000**

Pasta basket.

GE 020 010

Unperforated cooking insert.

GE 020 020

Perforated cooking insert.

Vario 400 series in-counter steamer**VK 414**

- Steaming in cooktop size
- Electronic water temperature control from 100°F to 200°F, in 5°F increments
- Cooking on two levels, without flavor transfer
- Solid stainless steel control knobs
- Precision-crafted 1/8-inch stainless steel frame
- For surface-mount installation with a visible edge or for flush installation
- Can be perfectly combined with other Vario 400 series products

Cooking zones

Water capacity 1 – 6.4 quarts (1 – 6 liters).

Operation

Two control knobs with illuminated ring, temperature marking and water drain.

Electronic water temperature control from 100°F to 200°F, in 5° increments.

Features

Steam cooking level with electronic steam control for pressureless cooking.

Automatic boiling point detection.

Motor-driven 1/2" water drain valve.

Safety

Safety shut-off.

Planning notes

Depending on the type of installation – surface-/ or flush-mounted, with or without cover – the specific location of the control knob positions may vary.

When using the appliance cover VA 440 or adjustment strip VA 450 additional space for cut-out depth needs to be considered.

In a combination of Vario cooktops with at least one appliance cover, the adjustment strip VA 450 is required.

In a combination of several Vario 400 series cooktops a connection strip must be used.

Depending on the type of installation – surface-/ or flush-mounted, with or without cover – the respective VA 420 connecting strip must be used.

For flush installation the edge height in the cut-out needs to be at least 1/2" and for surface-mount 3/8". Ensure a continuous cut surface of 90°.

The weight capacity and stability, especially in case of thin countertops, must be supported using suitable substructures. Take the appliance weight and additional loads into account.

Flush installation is possible in countertops made of stone, synthetics or solid wood. Heat resistance and watertight sealing of the edges must be observed. For other materials, please consult with your countertop manufacturer.

The groove must be continuous and even, so that uniform placing of the appliance on the gasket is ensured. Do not use discontinuous lining.

The joint width may vary due to size tolerances of the combinations and of the countertop cut-out.

If installing several Vario products in individual cut-outs allow for a minimum distance of 2" between the cooktops. Built-in control panel can be integrated in the bottom cabinet at drawer level.

Front panel thickness 3/8" – 1".

The adjacent drawing "Installation of the control knobs" must be observed if the panel is more than 1" thick (there must be a recess at the rear for proper control module installation).

Seal the worktop cutout.

VK 414 and VF 414 must not be installed directly next to each other.

The minimum distance from the appliance edge to the wall or furnishing components must be at least 2".

A ventilation hood must be installed when an upper cabinet is installed above the electric in-counter steamer. If a cover is used, the glass lid must be removed when closing it.

Appliance can be snapped into the countertop from above.

Please read additional planning notes on pages 82 – 87.

Rating

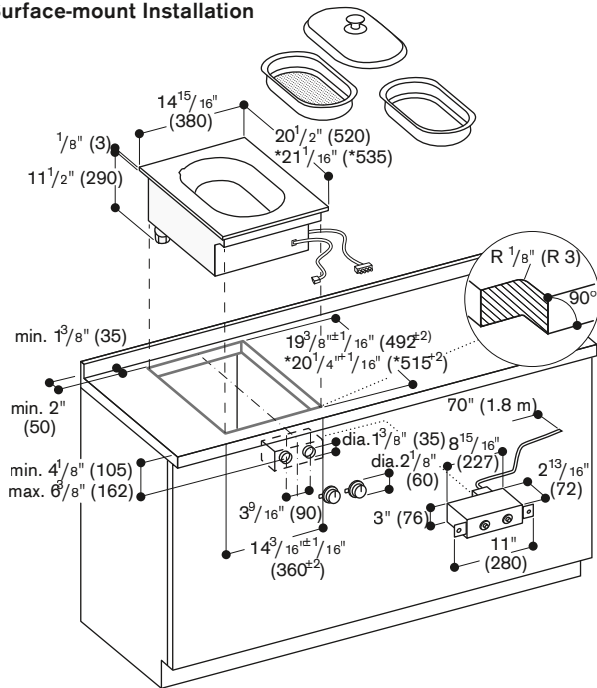
Total rating: 2.2 kW.

Total Amps: 10 A.

208/220–240 V / 60 Hz

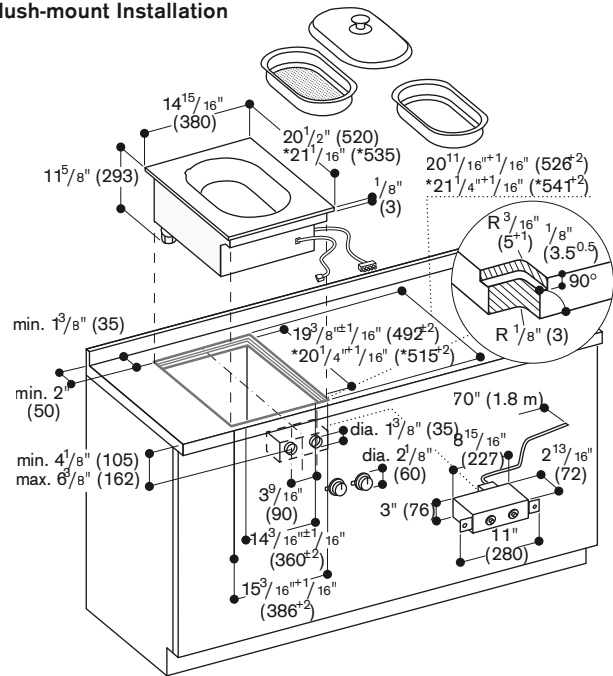
Plan for a 70" connecting cable without plug (hardwire required).

Surface-mount Installation



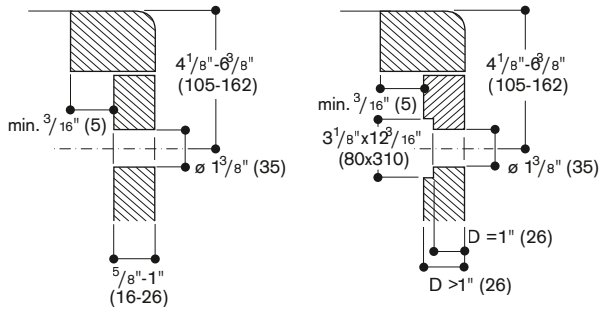
* With appliance cover or adjustment strip. See separate planning notes on page 87.

Flush-mount Installation

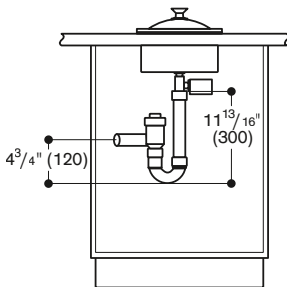
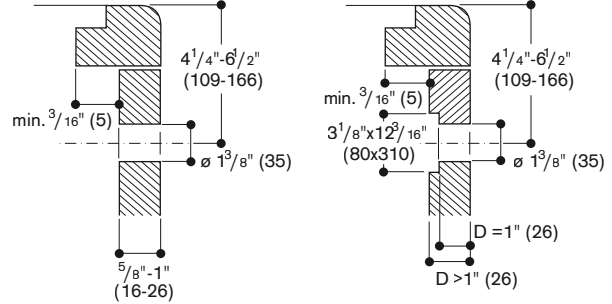


* With appliance cover or adjustment strip. See separate planning notes on page 87.

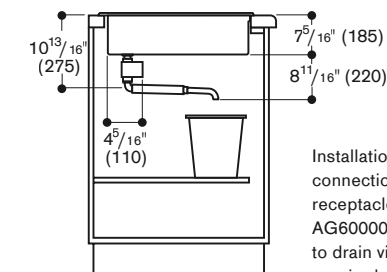
Installation of the control knob; surface-mount installation



Installation of the control knob; flush-mount installation

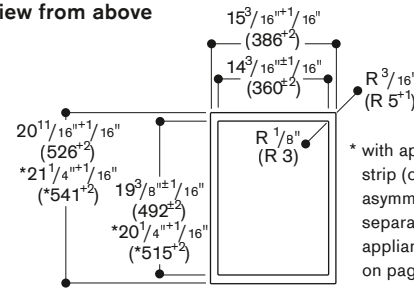


Installation possible with a direct water connection by a plumbing professional. Drainage connection in the base cabinet: For a fixed connection without free fall tube, it is necessary to install a non-return valve.



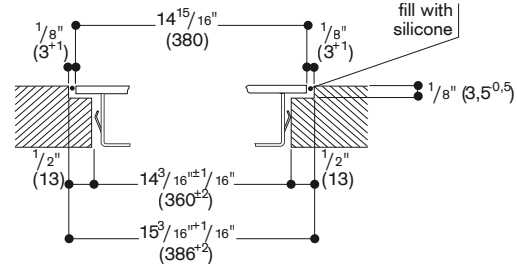
Installation possible without a direct water connection. Drainage into a water-collecting receptacle (e.g. bucket). Only possible with AG600000 drain installation set. Access to drain via a door in the base cabinet is required.

View from above

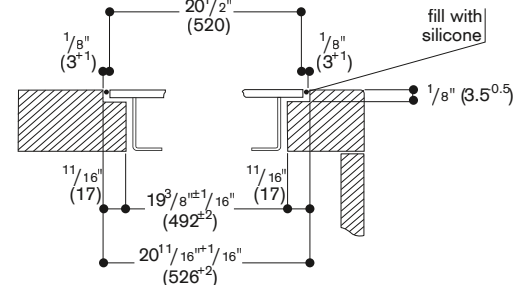


* with appliance cover or adjustment strip (observe front and rear asymmetrical assembly). See separate notes "assembly with appliance cover/adjustment strip" on page 87.

Longitudinal section



Cross-section



When installing with appliance cover or adjustment strip, pay attention to the deeper cut-out and the front and rear groove width.

Numbers indicated inside parenthesis () = mm