



VI 491 610

Stainless steel frame
Width 36" (90 cm)

Installation accessories

In combination of several Vario cooktops, connecting strips must be used.

Choose respective VA 420 strip from one of the below, depending on type of installation.

VA 420 010

Connection strip for **surface-mount** installation **without** appliance cover.

VA 420 011

Connection strip for **surface-mount** installation **with** appliance cover.

VA 420 000

Connection strip for **flush** installation **without** appliance cover.

VA 420 001

Connection strip for **flush** installation **with** appliance cover.

VA 450 900

36" stainless steel adjustment strip. Necessary accessory in a combination of 15" Vario(s) with at least one cover adjacent to a 36" cooktop. VA 450 strip will compensate the appliance depth.

Optional accessories

GN 340 230

Gastronorm roaster
Non-stick cast-aluminum
4" deep, with 2 1/2" lid, GN 3/4
(For use on center zone)

GP 900 001

Stainless steel 6" frying pan
Non-stick coating.

GP 900 003

Stainless steel 8" frying pan
Non-stick coating.

Vario 400 series induction cooktop

VI 491

- Five cooking zones with Power boost for cookware with a diameter of 5" to 13"
- Solid stainless steel control knobs
- Precision-crafted 1/8-inch stainless steel frame
- For surface-mount installation with a visible edge or for flush installation
- Can be perfectly combined with other Vario 400 series products

Cooking zones

1 induction cooking zone ø 8" (2,200 W, with Power boost 3,300 W), automatically switches to ø 10" (2,600 W, with Power boost 3,400 W) and to ø 13" (3,300 W, with Power boost 4,600 W).

1 induction cooking zone ø 8" (2,200 W, with Power boost 3,300 W).

2 induction cooking zones ø 7" (1,800 W, with Power boost 2,500 W).

1 induction cooking zone ø 6" (1,400 W, with Power boost 1,800 W).

Operation

Control knobs with illuminated ring, cooking zone and output level markings.

Electronic control in 12 output levels.

Features

Cooking zone marking.
Power boost function for each cooking zone.
Poser boost function for ø 13" cooking zone with 4.6 kW.
Pan detection.
Short-term timer.

Safety

Individual residual heat indication.
Safety lock.

Planning notes

Depending on the type of installation – surface- or flush-mounted, with or without cover – the specific location of the control knob positions may vary. When using the appliance cover VA 440 for an adjacent 15" Vario cooktop and adjustment strip VA 450, additional space for cut-out depth needs to be considered.

In a combination of Vario cooktops with at least one appliance cover, the adjustment strip VA 450 is required.

In a combination of several Vario 400 series cooktops a connection strip must be used.

Depending on the type of installation – surface- or flush-mounted, with or without cover – the respective VA 420 connecting strip must be used.

For flush installation the edge height in the cut-out needs to be at least 1/2" and for surface-mount 3/8". Ensure a continuous cut surface of 90°.

The weight capacity and stability, especially in case of thin countertops, must be supported using suitable substructures. Take the appliance weight and additional loads into account.

Flush installation is possible in countertops made of stone, synthetics or solid wood. Heat resistance and watertight sealing of the edges must be observed. For other materials, please consult with your countertop manufacturer.

The groove must be continuous and even, so that uniform placing of the appliance on the gasket is ensured.

Do not use discontinuous lining. The joint width may vary due to size tolerances of the combinations and of the countertop cut-out.

If installing several Vario products in individual cut-outs allow for a minimum distance of 2" in between the cooktops.

Operates with magnetic (induction) iron pots and pans only. For an optimal heat distribution, the use of sandwich bottom cookware is recommended. Immersion depth depending on installation situation, 2 5/8" for surface-mount or 2 1/4" for flush-mount.

Built-in control panel can be integrated in the bottom cabinet at drawer level. Panel thickness 5/8" – 1".

The adjacent drawing "Installation of the control knob" must be observed, if the panel is more than 1" thick. There must be a recess at the rear for proper control module installation.

A combination with V 414 downdraft is not recommended due to insufficient air extraction from the center zone. Appliance can be snapped into the countertop from above.

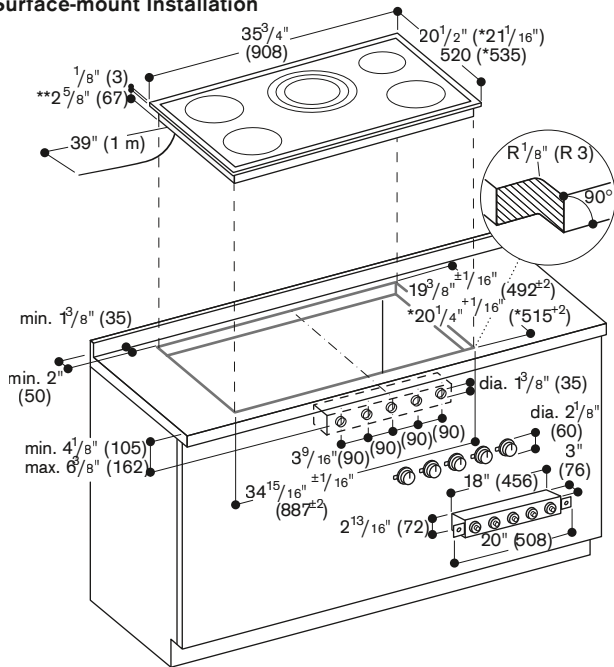
Please read additional planning notes on pages 82 – 87.

Please read the installation details regarding air ducting on page 121.

Rating

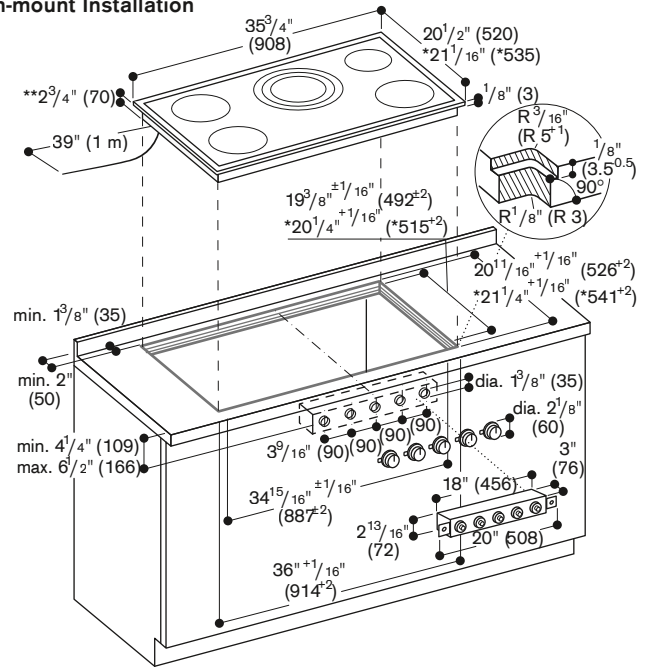
Total rating: 10.8 kW.
Total Amps: 45 A.
208/220–240 V / 60 Hz
Plan for a 37" connecting cable without plug (hardwire required).

Surface-mount Installation



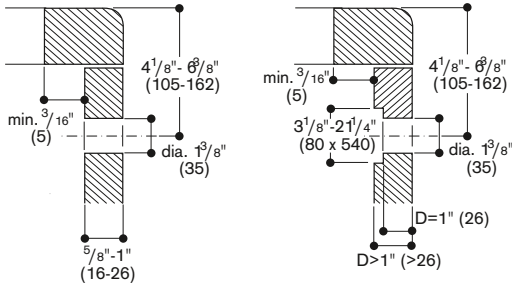
* with adjustment strip. See separate planning notes on page 87.
 ** 3 9/16 (93) in the area of the wire connection (rear, right).

Flush-mount Installation

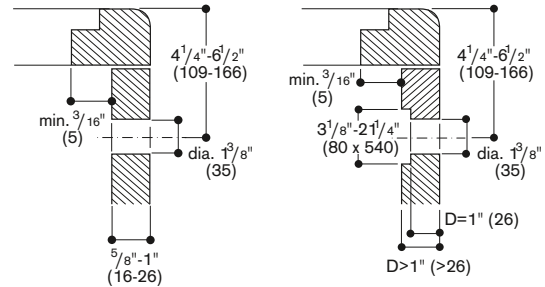


* with adjustment strip. See separate planning notes on page 87.
 ** 3 1/16 (93) in the area of the wire connection (rear, right).

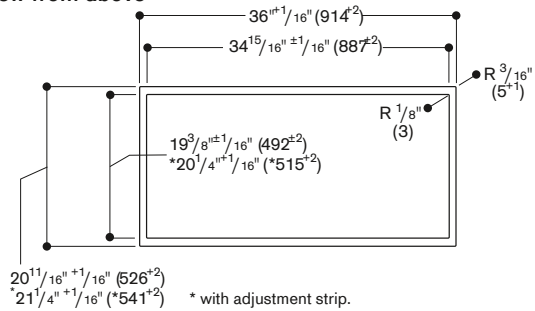
Installation of the control knob; surface-mount installation



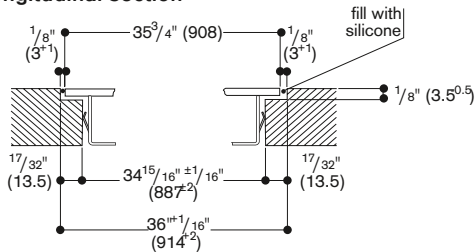
Installation of the control knob; flush-mount installation



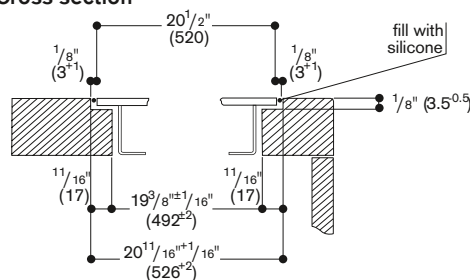
View from above



Longitudinal section



Cross-section



Numbers indicated
 inside parenthesis () = mm

When installing with appliance cover or adjustment strip, pay attention to the deeper cut-out and the front and rear groove width.