



#### VI 414 610

Stainless steel frame  
Width 15" (38 cm)

#### Installation accessories

In combination of several Vario cooktops or VL 414 downdraft, connecting strips must be used. Choose respective VA 420 strip from one of the below, depending on type of installation.

##### VA 420 010

Connection strip for **surface-mount** installation **without** appliance cover.

##### VA 420 011

Connection strip for **surface-mount** installation **with** appliance cover.

##### VA 420 000

Connection strip for **flush** installation **without** appliance cover.

##### VA 420 001

Connection strip for **flush** installation **with** appliance cover.

##### VA 440 010

Stainless steel cover with mounting strip

##### VA 450 400

Stainless steel adjustment strip, width 15". Necessary accessory in a combination of 15" Varios with at least one appliance cover to compensate for the appliance depth.

#### Optional accessories

##### WP 400 001

Wok pan made of multiple-layer material  
With round bottom and handle,  
ø 14 3/16", height 3 5/16".

##### WZ 400 001

Wok attachment for wok pan only for VI 414 Vario induction wok.

##### GN 340 230

Gastronorm roaster  
Non-stick cast-aluminum  
4" deep, with 2 1/2" lid, GN 3/4

##### GP 900 003

Stainless steel 8" frying pan  
Non-stick coating.

#### Vario 400 series induction wok

##### VI 414

- 11" cooking zone with 3,600 W Power boost function
- Ideal for the original round-bottomed wok. Wok ring attachment optional
- Solid stainless steel control knob
- Precision-crafted 1/8-inch stainless steel frame
- For surface-mount installation with a visible edge or for flush installation
- Can be perfectly combined with other Vario 400 series products

#### Cooking zones

One ø 7 1/16" induction cooking zone (1,800 W with Power boost 2,500 W), which automatically expands to ø 11" (2,800 W, with Power boost 3,600 W).

#### Operation

Control knobs with illuminated ring, cooking zone and output level markings.

Electronic control in 12 output levels.

#### Features

Cooking zone marking.

Power boost function for each cooking zone.

Pan detection (it also automatically switches on the outer cooking zone).  
Short-term timer.

#### Safety

Residual heat indication.

Safety shut-off.

#### Planning notes

Depending on the type of installation – surface-/ or flush-mounted, with or without cover – the specific location of the control knob positions may vary.

When using the appliance cover VA 440 or adjustment strip VA 450 additional space for cut-out depth needs to be considered.

In a combination of Vario cooktops with at least one appliance cover, the adjustment strip VA 450 is required.

In a combination of several Vario 400 series cooktops a connection strip must be used.

Depending on the type of installation – surface-/ or flush-mounted, with or without cover – the respective VA 420 connecting strip must be used.

For flush installation the edge height in the cut-out needs to be at least 1/2" and for surface-mount 3/8". Ensure a continuous cut surface of 90°.

The weight capacity and stability, especially in case of thin countertops, must be supported using suitable substructures. Take the appliance weight and additional loads into account.

Flush installation is possible in countertops made of stone, synthetics or solid wood. Heat resistance and watertight sealing of the edges must be observed. For other materials, please consult with your countertop manufacturer.

The groove must be continuous and even, so that uniform placing of the appliance on the gasket is ensured. Do not use discontinuous lining.

The joint width may vary due to size tolerances of the combinations and of the countertop cut-out.

If installing several Vario products in individual cut-outs allow for a minimum distance of 2" between the cooktops. Operates with magnetic (induction)

iron pots and pans only. For an optimal heat distribution, the use of sandwich bottom cookware is recommended.

Built-in control panel can be integrated in the bottom cabinet at drawer level. Front panel thickness 5/8" – 1".

The adjacent drawing "Installation of the control knob" must be observed if the panel is more than 1" thick (there must be a recess at the rear for proper control module installation).

Appliance clicks into place when inserted into the countertop from above.

Please read additional planning notes on pages 82 – 87.

#### Rating

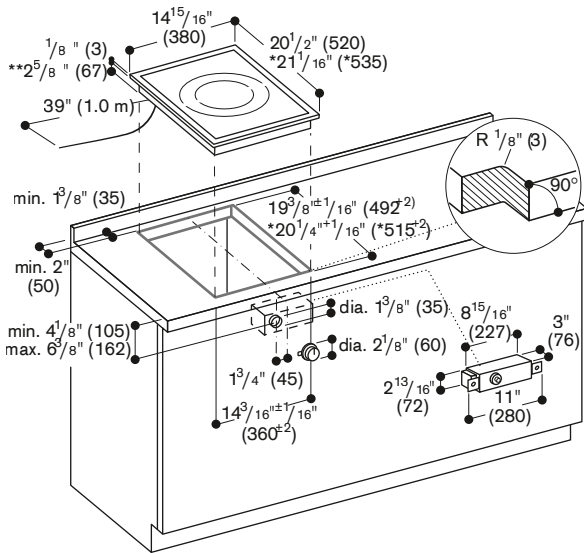
Total rating: 3.6 kW.

Total Amps 16 A.

208/220–240 V / 60 Hz

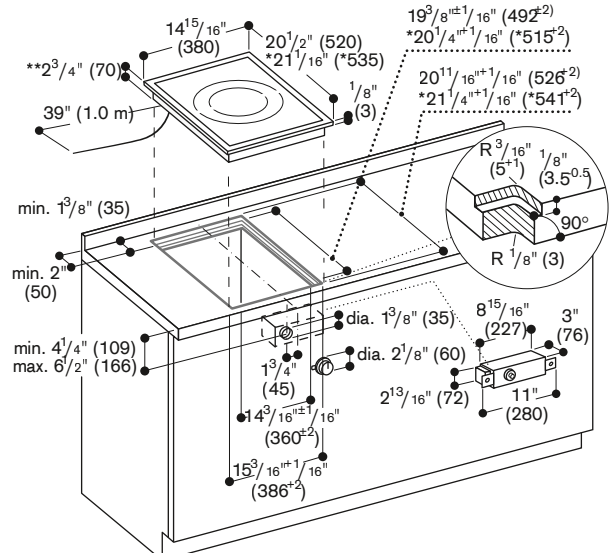
Plan for a 37" connecting cable without plug (hardwire required).

## Surface-mount Installation



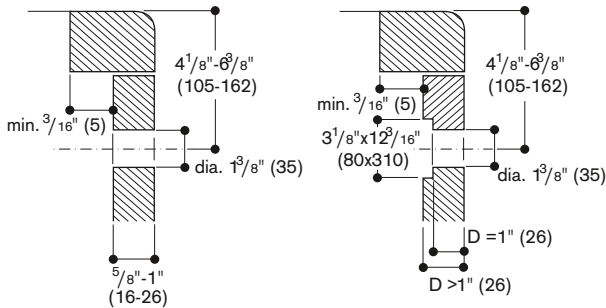
\* with adjustment strip. See separate planning notes on page 87.  
 \*\* 3<sup>9</sup>/<sub>16</sub>" (90) in the area of the wire connection (rear, right).

## Flush-mount Installation

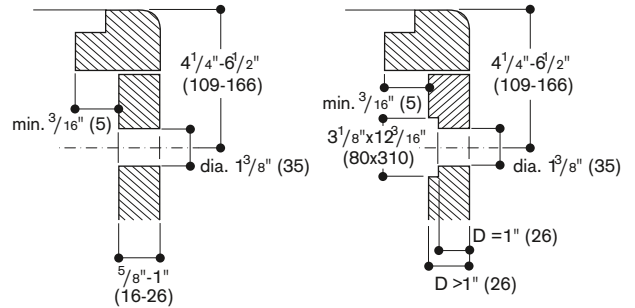


\* with adjustment strip. See separate planning notes on page 87.  
 \*\* 3<sup>1</sup>/<sub>16</sub>" (93) in the area of the wire connection (rear, right).

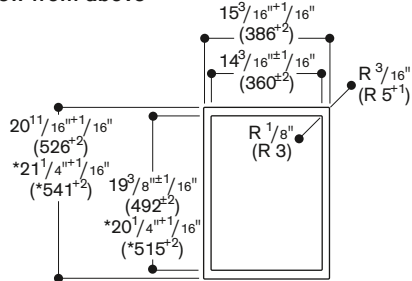
## Installation of the control knob; surface-mount installation



## Installation of the control knob; flush-mount installation

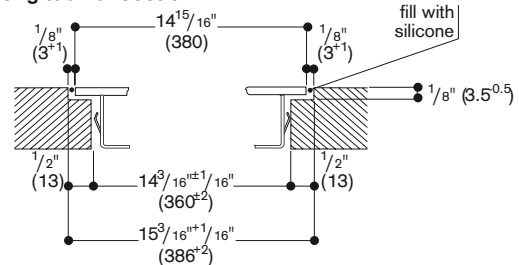


## View from above

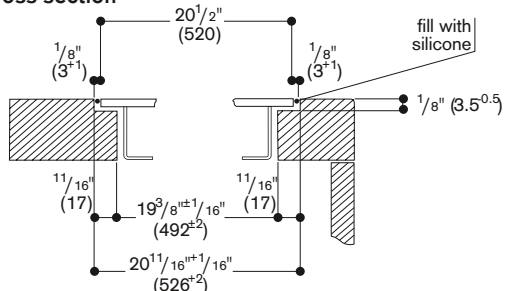


\* with appliance cover or adjustment strip (observe the front and rear asymmetrical support, see separate notes "Installation with appliance cover/adjustment strip" on page 87).

## Longitudinal section



## Cross-section



Numbers indicated inside parenthesis ( ) = mm

When installing with appliance cover or adjustment strip, pay attention to the deeper cut-out and the front and rear groove width.