



VI 230 620

Black control panel
Width 12" (28 cm)

Included in the price

1 glass scraper

Installation accessories

VV 200 010

Stainless steel connection strip for combination with other Vario appliances of the 200 series

VV 200 020

Black connection strip for combination with other Vario appliances of the 200 series

Optional accessories

GP 900 001

Stainless steel frying sensor pan
Non-stick cooking, for ø 6" cooking zone.

GP 900 002

Stainless steel frying sensor pan
Non-stick coating, for ø 7" cooking zone.

GP 900 003

Stainless steel frying sensor pan
Non-stick coating, for ø 8" cooking zone.

VD 200 020

Black appliance cover

Vario 200 series induction cooktop

VI 230

- Can be combined with the cooktops of the Vario 200 series to a harmonic unity
- Control panel for comfortable and secure operation

Cooking zones

1 induction cooking zone 9" (2,200 W, with booster 3,700 W)

1 induction cooking zone 6" (1,400 W, with booster 1,800 W)

Operation

Control knobs with illuminated ring.

Integrated control panel.

Electronic power control in 9 output levels.

Features

Cooking area marking.

Frying sensor function.

Pot detection.

Booster function for both cooking zones.

Safety

Residual heat indication.

Operation indicator.

Safety shut-off.

Planning notes

Operates with magnetic (induction) iron pots and pans only. For an optimal heat distribution, the use of sandwich bottom cookware is recommended. Appliance can be snapped into the countertop from above. Appliance weight: approx. 15.4 lbs (7kg).

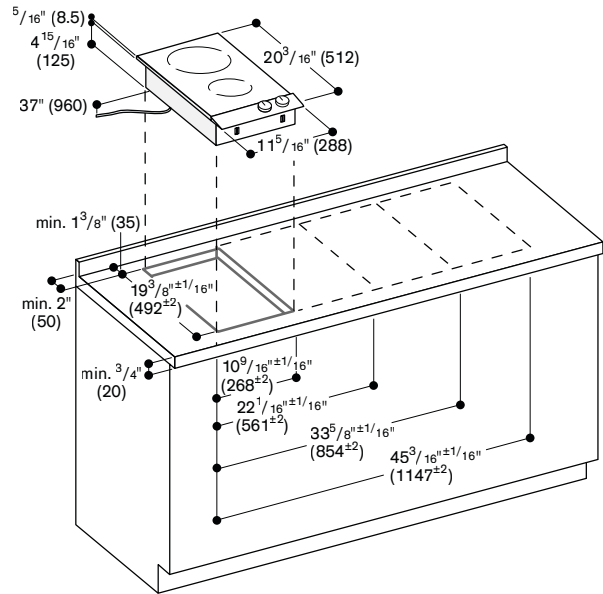
Rating

Total rating 3.7 kW.

Total Amps: 16 A.

208 – 240V / 60 Hz

Plan for 37" connecting cable without plug (hardware required).



Numbers indicated
inside parenthesis () = mm