



VG 295 114CA
 Stainless steel control panel
 Propane gas
 Width 36" (90 cm)

VG 295 214CA
 Stainless steel control panel
 Natural gas
 Width 36" (90 cm)

Optional accessories
WP 400 001
 Wok pan made of multiple-layered material, with round bottom and handle, ø 14 3/4". 5.3 quarts., height 3 15/16".

200 series gas cooktop
VG 295

- Sturdy stainless steel, solid smooth-surface cast-iron pan support and top control panel.
- 58,000 BTU on five burners including wok burner.
- Professional cooking for large numbers of guests.
- Convenient operation with automatic quick ignition.

Cooking zones

5 brass gas burners:
 2 two-ring super-high output burners (150 – 4,000 W) 500 – 13,600 BTU, suitable for pots up to max. ø 11".
 2 two-ring standard burners (150 – 2,000 W) 500 – 6,800 BTU, suitable for pots up to max. ø 9 1/2".
 1 three-ring super-high output burner (300–5,000 W) 1,000 – 17,000 BTU, suitable for pots up to max. ø 12 5/8".
 Ideal burner configuration, electronics and a broad output spectrum.

Features

All-gas cooktop for natural or propane gas.
 Three-part cast-iron pan support with a flat, continuous surface.
 Operation control indicator lights.
 Gas valve with fine control.
 Integrated control panel with cooking zone and power marking.

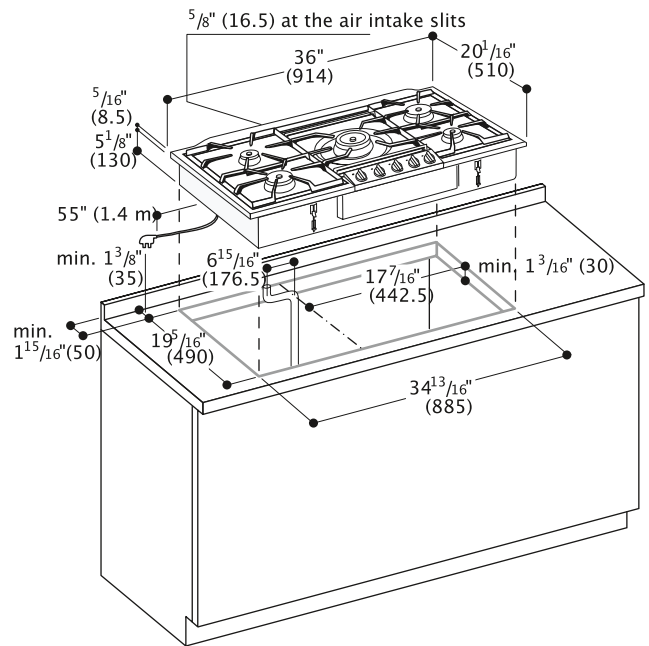
Safety

Automatic quick ignition.
 Electronic flame recognition (ionization principle) with automatic re-ignition.

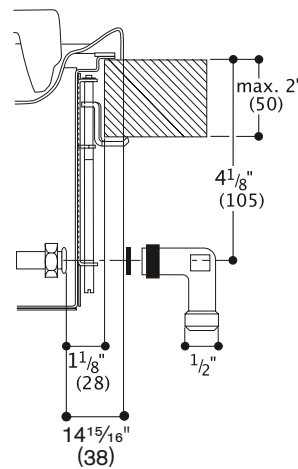
Planning notes

Installation in a 36" (90 cm) base cabinet.
 Air admission from above.
 No intermediate shelf required.
 The gas cooktop is equipped with a 55" connecting cable and a grounded plug.
 The appliance must be set up and connected in accordance with the applicable installation specifications.
 A ventilation hood must be switched on during operation of the gas cooktop. The rear panel must consist of a non-flammable material.
 Wall trims must be heat-resistant.
 A minimum clearance of 12" from adjacent heat-sensitive wooden side panels must be observed or thermal insulation must be installed.
 Minimum distance between gas cooktop(s) and ventilation hood must be 30".
 When installing this cooktop next to another appliance of the Vario Series 200, a minimum clearance of 2" between the single cut-outs should be observed.
 Cooktop clamping range: 1 3/4" – 2".
 Can be installed above an EB 388 oven with 1/2" minimum distance.
 The appliance is not operable without electrical connection.

Rating
 Total rating: 58,000 BTU
 Total Amps: 2
 120V / 60Hz
 Plan for a 55" connecting cable with ground plug.



Gas connection



Numbers indicated inside parenthesis () = mm