



VG 295 120CA

Black control panel
Width 36" (90 cm)
Liquid gas

VG 295 220CA

Black control panel
Width 36" (90 cm)
Natural gas

Included in the price

1 wok attachment ring

Optional accessories

WP 400 001

Wok pan made of multiple-layer material with round bottom and handle \varnothing 14 ³/₁₆" height 3 ¹/₁₆".

200 series gas cooktop

VG 295

- Control panel for comfortable and secure operation
- Mechanical power level regulation for 9 power levels, with exact setting and reproduction of flame size
- Multi-ring burner of solid, heat-resistant brass as used in professional kitchen
- Solid smooth-surface cast iron pan supports
- Up to 59,700 BTU (17.5 kW) on 5 burners

Cooking zones

VG 295 120CA

1 multi-ring wok burner 1,000 BTU – 17,100 BTU (300 W – 5800 W), suitable for pots up to max. \varnothing 12 ⁵/₈".
2 two-ring high output burners 600 – 13,600 BTU (170 W – 4000 W), suitable for pots up to max. \varnothing 11".
2 two-ring standard burners 600 – 6,800 BTU (170 W – 2000 W), suitable for pots up to max. \varnothing 9 ¹/₂".

VG 295 220CA

1 multi-ring wok burner 1,000 – 18,800 BTU (300 W – 6000 W), suitable for pots up to max. \varnothing 12 ⁵/₈".
2 two-ring high output burners 600 – 13,600 BTU (170 W – 4000 W), suitable for pots up to max. \varnothing 11".
2 two-ring standard burners 600 – 6,800 BTU (170 W – 2000 W), suitable for pots up to max. \varnothing 9 ¹/₂".

Operation

Control knobs with illuminated ring.
Integrated control panel.
One-handed operation.
Electric ignition.

Features

Three-part cast iron pan support with flat, continuous pot surface.
Brass burner rings.

Safety

Thermoelectric safety pilot.
Residual heat indication.
Operation indicator.

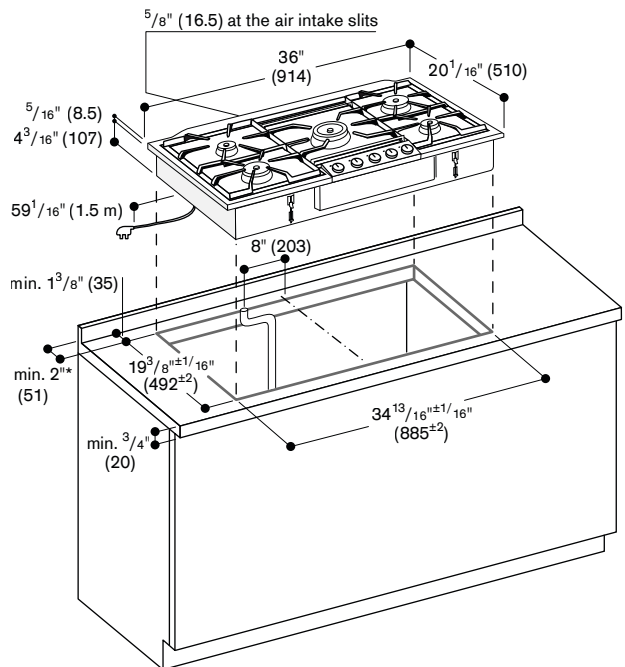
Planning notes

No intermediate shelf required.
Appliance can be snapped into the countertop from above.
Rear panel and wall trims must be heat-resistant and consist of a non-flammable material.
Installation in a 36" (90 cm) wide base cabinet is required.
A minimum lateral clearance of at least 11 ¹³/₁₆" (300 mm) from adjacent heat-sensitive furniture or contact surfaces must be observed or thermal insulation fitted.
With a total connected load of more than 37,533 BTU (11 kW) local regulations concerning room ventilation, room size and combination of extraction or recirculation hoods must be observed.
When installing this cooktop next to another appliance of the Vario 200 series, a minimum clearance of 2" between the single cut-outs should be observed.
Cooktop clamping range: 1 ¹³/₁₆" – 2".
Can be installed above the 36" EB 333

oven with ¹/₂" minimum distance.
The appliance is not operable without electrical connection.
Minimum clearance between gas cooktop(s) with more than 37,533 BTU (11 kW) and ventilation hood 30" (76cm)
The distance from the top of the cooktop to the bottom of cabinets above can be reduced to 26" when the bottom of the wood or metal cabinet is protected by no less than ¹/₄" (6.35 mm)-thick flame-retardant millboard covered with not less than No. 28 MSG sheet metal, 0.015 inch (0.4 mm) stainless steel, 0.024 inch (0.6 mm) aluminum or copper.
Appliance weight: approx. 68 lbs (31 kg).

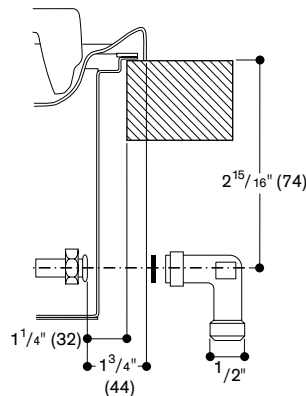
Rating

Total rating: 58,000 / 59,700 BTU.
Total Amps: .1 A.
120 V / 60 Hz
Connecting cable 59" with ground plug.



Minimum distance from the appliance cut-out to the side wall 11 ¹³/₁₆" (300 mm).
*4" (102mm) clearance for a combustible back wall.

Gas connection



Numbers indicated inside parenthesis () = mm