

GAGGENAU



VG 264 220CA

Black control panel

Width 24" (60 cm)

Natural gas.

For conversion to LP gas, LP kit (part #10009476) must be ordered.

Installation accessories

VV 200 010

Stainless steel connection strip for combination with other Vario 200 series appliances

VV 200 020

Black connection strip for combination with other Vario 200 series appliances

Optional accessories

VD 200 020

Vario 200 Series black appliance cover

Vario 200 series gas cooktop

VG 264

- Can be combined with other Vario 200 series products
- Control panel for comfortable and secure operation
- Mechanical power level regulation for 9 power levels, with exact setting and reproduction of flame size
- Solid smooth-surface cast iron pan supports for easy and safe positioning of cookware
- Up to 33,400 BTU on 4 burners

Cooking zones

2 high-output burners 1,900 – 10,200 BTU (560 – 3,000 W), suitable for pots up to max. \varnothing 8 $\frac{3}{4}$ ".

2 standard burners 1,300 – 6,500 BTU (380 – 1,900 W), suitable for pots up to max. \varnothing 7 $\frac{7}{8}$ ".

Operation

Control knobs with illuminated ring.

Integrated control panel.

One-handed operation.

Electric ignition.

Features

Two-part cast iron pan support with continuous pot surface.
Enameled burner cover.

Safety

Thermoelectric safety pilot.

Residual heat indication.

Operation indicator.

Planning notes

Equipped for natural gas. For conversion to LP gas, 2x LP kits (part#10009476) must be ordered.

No intermediate shelf required.

Appliance can be snapped into the countertop from above.

A minimum lateral clearance of at least 6" (150 mm) from adjacent heat-sensitive cabinet or contact surfaces must be observed or thermal insulation fitted.

With a total connected load of more than 37,533 BTU (11 kW) local regulations concerning room ventilation, room size and combination of extraction or recirculation hoods must be observed. Minimum clearance between gas cooktop(s) with more than 37,533 BTU (11 kW) and ventilation hood 27 $\frac{1}{2}$ " (70 cm).

Appliance weight: approx. 35 lbs (16 kg).

Please read additional planning notes on page 122.

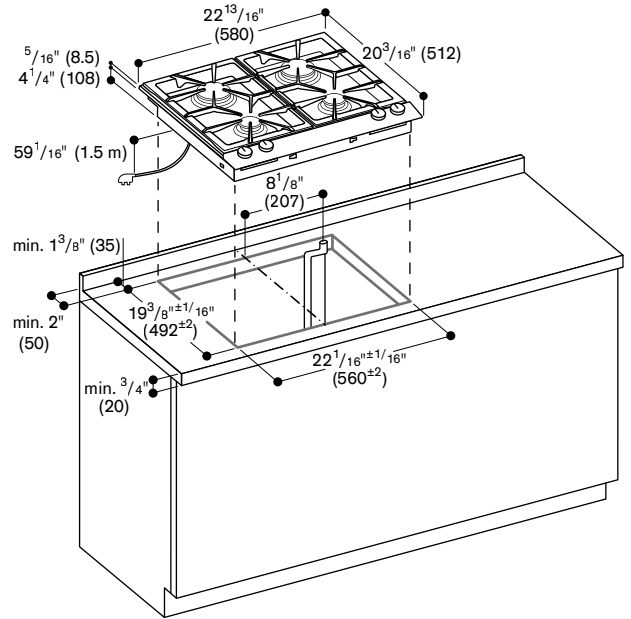
Rating

Total rating: 33,400 BTU.

Total Amps: 1 A.

120 V / 60 Hz

Connecting cable 59" with plug.



Minimum distance from the appliance cut-out to the side wall 11 $\frac{13}{16}$ " (300 mm).

Gas connection

