



VG 491 211CA

Stainless steel
Width 36" (90 cm)
Natural gas. For conversion to LP gas, LP kit (part #423414) must be ordered.

Installation accessories

In combination of several Vario cooktops, connecting strips must be used. Choose respective VA 420 strip from one of the below, depending on type of installation.

VA 420 010

Connection strip for combination with other Vario appliances of the 300 series for **surface** mounting **without** appliance cover/filler strip.

VA 420 011

Connection strip for combination with other Vario appliances of the 300 series for **surface** mounting **with** appliance cover/filler strip.

VA 420 000

Connection strip for combination with other Vario appliances of the 400 series for **flush** mounting **without** appliance cover/filler strip.

VA 420 001

Connection strip for combination with other Vario appliances of the 400 series for **flush** mounting **with** appliance cover/filler strip.

VA 450 900

36" stainless steel adjustment strip. Necessary accessory in a combination of 15" Vario(s) with at least one appliance cover to compensate for the appliance depth.

Optional accessories

WP 400 001

Wok pan made of multiple-layer material with round bottom and handle \varnothing 14 $\frac{3}{16}$ " height 3 $\frac{1}{16}$ ".

Vario 400 series gas cooktop

VG 491

- Five multi-ring burners with up to 59,700 BTU
- Full electronic power regulation on 12 levels.
- Full electronic gas valves for precise and reproducible power regulation.
- Automatic quick ignition, electronic flame monitoring with automatic re-ignition.
- Simmer function for cooking on a very low output level
- Solid smooth-surface cast-iron pan supports
- Solid stainless steel control knobs
- Precision-crafted $\frac{1}{8}$ -inch stainless steel frame
- For surface-mount installation with a visible edge or for flush installation
- Can be perfectly combined with other Vario 400 series products

Cooking zones

1 three-ring wok burner (300 W – 5,500 W) 1,000 – 18,800 BTU, suitable for pots up to max. \varnothing 12 $\frac{1}{2}$ ".
2 two-ring high output burners (165 W – 4,000 W) 570 – 13,600 BTU, suitable for pots up to max. \varnothing 11".
2 two-ring standard burners (165 W – 2,000 W) 570 – 6,800 BTU, suitable for pots up to max. \varnothing 11".

Operation

Control knobs with illuminated ring, cooking zone and output level markings.

One-handed operation.

Full electronic control in 12 output levels for exact power level regulation plus simmer function.

Automatic quick ignition.

Features

Simmer function.

Three-part cast-iron pan support with flat, continuous pot surface.

Brass burner rings.

Equipped for natural gas. For conversion to LP gas, LP kit (part #423414) must be ordered.

Safety

Electronic flame monitoring with automatic re-ignition.

Residual heat indication.

Automatic quick ignition.

Safety shut-off.

Planning notes

Depending on the type of installation – surface- / or flush-mounted, with or without cover – the specific location of the control knob positions may vary.

When using the appliance cover VA 440 for an adjacent Vario 400 series cooktop and adjustment strip VA 450, additional space for cut-out depth needs to be considered.

In a combination of Vario cooktops with at least one appliance cover, the adjustment strip VA 450 is required. In a combination of several Vario 400 series cooktops a connection strip must be used.

Depending on the type of installation – surface- / or flush-mounted, with or without cover – the respective VA 420 connecting strip must be used.

For flush installation the edge height in the cut-out needs to be at least $\frac{1}{2}$ " and for surface-mount $\frac{3}{8}$ ". Ensure a continuous cut surface of 90°.

The weight capacity and stability, especially in case of thin countertops, must be supported using suitable substructures. Take the appliance weight and additional loads into account.

Flush installation is possible in countertops made of stone, synthetics or solid wood. Heat resistance and watertight sealing of the edges must be observed. For other materials, please consult with your countertop manufacturer.

The groove must be continuous and even, so that uniform placing of the appliance on the gasket is ensured. Do not use discontinuous lining.

The joint width may vary due to size tolerances of the combinations and of the countertop cut-out.

If installing several Vario products in individual cut-outs allow for a minimum distance of 2" between the cooktops. Control knobs to be integrated in the base cabinet at drawer level.

Panel thickness $\frac{5}{8}$ " – 1".

The adjacent drawing "Installation of the control knob" must be observed, if the panel is more than 1" thick. There must be a recess at the rear for proper electronic knob installation.

Plan for an electrical connection (the appliance is not operable without power supply).

Air intake from above.

No intermediate shelf required.

The rear panel must consist of a non-flammable material. Wall trims must be resistant to heat.

A minimum lateral clearance of at least 12" from adjacent heat-sensitive furniture or contact surfaces must be observed or thermal insulation fitted. Installation in a 36" wide lower cabinet is required.

The combination with VL 414 downdraft is not recommended. Due to the distance to the center burner sufficient air extraction cannot be guaranteed.

Minimum distance between gas cooktop(s) and ventilation hood must be 30".

Appliance can be snapped into the countertop from above.

Appliance weight: approx. 70.5 lbs.

Please read additional planning notes on pages 88 – 93.

Rating

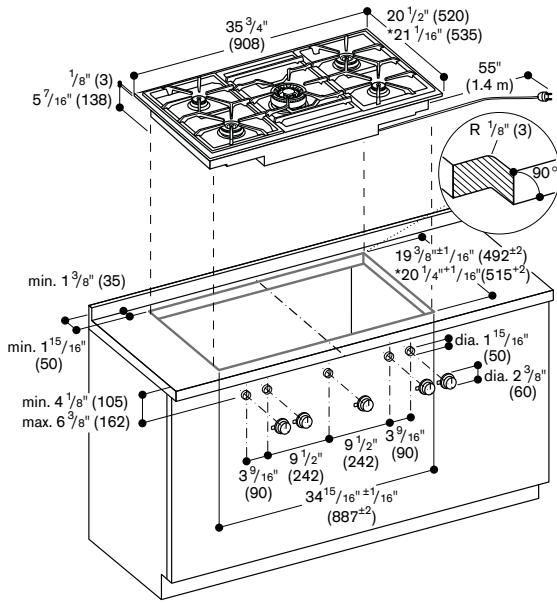
Total rating: 59,700 BTU (17.5 kW).

Total Amps: .2 A.

120 V / 60 Hz

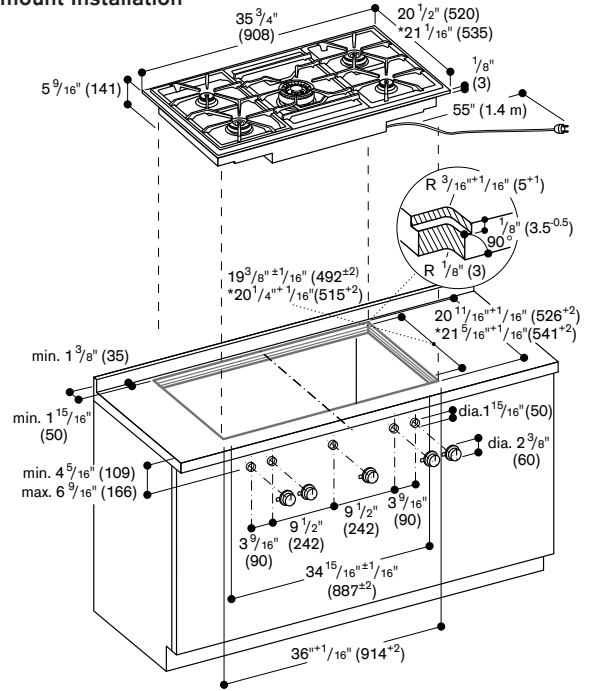
Connecting cable 55" with plug.

Surface-mount Installation



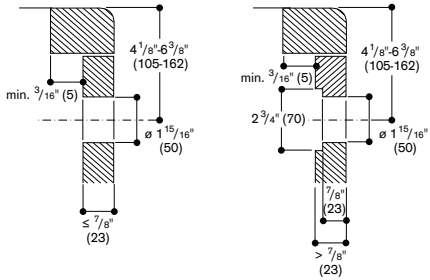
* with adjustment strip. See separate planning notes on page 93.

Flush-mount Installation

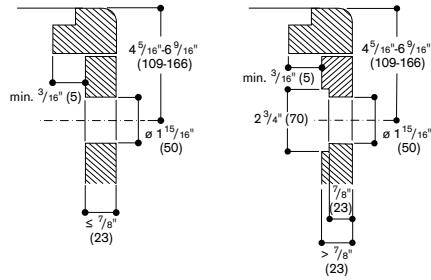


* with adjustment strip. See separate planning notes on page 93.

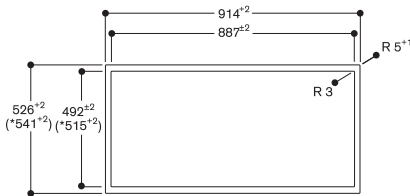
Installation of the control knob, surface-mount installation



Installation of the control knob, flush installation

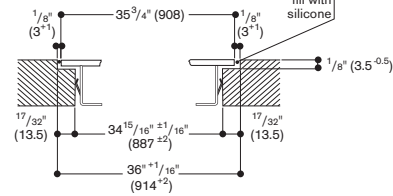


View from above

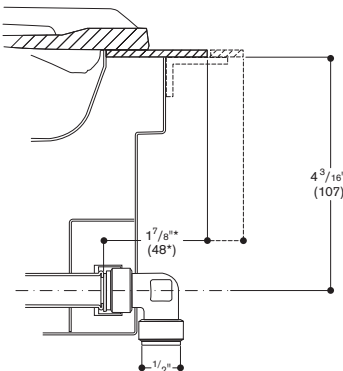


* with filler strip

Longitudinal section

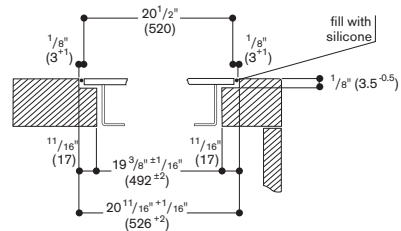


Gas connection



* 2 1/2" (63 mm) with adjustment strip.

Cross-section



When installing with appliance cover or adjustment strip, pay attention to the deeper cut-out and the front and rear groove width.