



VG 425 211 CA

Stainless steel

Width 15" (38 cm)

Natural gas. For conversion to LP gas, LP kit (part #427789) must be ordered.

Installation accessories

In combination of several Vario cooktops or VL 414 downdraft, connecting strips must be used. Choose respective VA 420 strip from one of the below, depending on type of installation.

VA 420 010

Connection strip for **surface-mount installation without appliance cover.**

VA 420 011

Connection strip for **surface-mount installation with appliance cover.**

VA 420 000

Connection strip for **flush installation without appliance cover.**

VA 420 001

Connection strip for **flush installation with appliance cover.**

VA 440 010

Stainless steel cover with mounting strip

VA 450 400

Stainless steel adjustment strip, width 15". Necessary accessory in a combination of 15" Varios with at least one appliance cover to compensate for the appliance depth.

Vario 400 series gas cooktop

VG 425

- Two two-ring burners up to 13,600 BTU.
- Full electronic power regulation on 12 levels.
- Full electronic gas valves for precise and reproducible power regulation.
- Automatic fast ignition, electronic flame monitoring with automatic re-ignition.
- Simmer function for cooking on a very low output level
- Solid smooth-surface cast-iron pan supports
- Solid stainless steel control knobs
- Precision-crafted ½-inch stainless steel frame
- For surface-mount installation with a visible edge or for flush installation
- Can be perfectly combined with other Vario 400 series products

Cooking zones

1 two-ring high-output burner (570 – 13,600 BTU), suitable for pots and pans up to a maximum ø 11".

1 two-ring standard-output burners (570 – 6,800 BTU), suitable for pots and pans up to a maximum ø 9 7/16".

Operation

Control knobs with illuminated ring, cooking zone and output level markings.

One-handed operation.

Full electronic control in 12 output levels for exact power level regulation plus simmer function.

Automatic fast ignition.

Features

Simmer function (570 BTU).

Cast-iron pan support with flat, continuous pot surface.

Brass burner rings.

Equipped for natural gas. For conversion to LP gas, LP kit (part #427789) must be ordered.

Safety

Electronic flame monitoring with automatic re-ignition.

Residual heat indication.

Safety shut-off.

Planning notes

Depending on the type of installation—surface-/ or flush-mounted, with or without cover—the specific location of the control knob positions may vary.

When using the appliance cover VA 440 or adjustment strip VA 450 additional space for cut-out depth needs to be considered.

In a combination of Vario cooktops with at least one appliance cover, the adjustment strip VA 450 is required.

In a combination of several Vario 400 series cooktops a connection strip must be used.

Depending on the type of installation—surface-/ or flush-mounted, with or without cover—the respective VA 420 connecting strip must be used.

For flush installation the edge height in the cut-out needs to be at least ½" and for surface-mount ⅝". Ensure a continuous cut surface of 90°.

The weight capacity and stability,

especially in case of thin countertops, must be supported using suitable substructures. Take the appliance weight and additional loads into account.

Flush installation is possible in countertops made of stone, synthetics or solid wood. Heat resistance and watertight sealing of the edges must be observed. For other materials, please consult with your countertop manufacturer.

The groove must be continuous and even, so that uniform placing of the appliance on the gasket is ensured. Do not use discontinuous lining.

The joint width may vary due to size tolerances of the combinations and of the countertop cut-out.

If installing several Vario products in individual cut-outs allow for a minimum distance of 2" between the cooktops. Control knobs to be integrated in the base cabinet at drawer level.

Panel thickness ⅝" – 1".

The adjacent drawing "Installation of the control knob" must be observed, if the panel is more than 1" thick. There must be a recess at the rear for proper electronic knob installation.

Plan for an electrical connection (the appliance is not operable without power supply).

Air intake from above.

No intermediate shelf required.

The rear panel must consist of a non-flammable material. Wall trims must be resistant to heat.

The minimum distance from the side of appliance edge to the wall or furnishing components must be at least 6".

When used with VL 414 downdraft ventilation, the air deflector AA 414 is recommended to ensure maximum performance of the cooktop.

Minimum distance between gas cooktop(s) and ventilation hood must be 30".

Appliance can be snapped into the countertop from above.

Please read additional planning notes on pages 84 – 89.

Rating

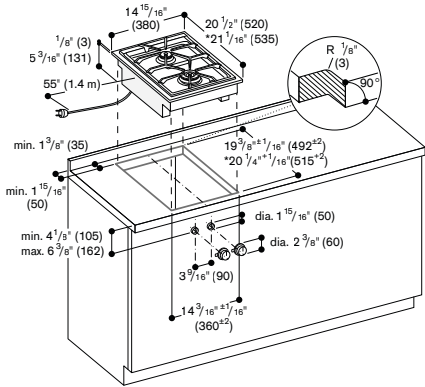
Total rating: 20,500 BTU (6.0 kW).

Total Amps: 2 A.

120 V / 60 Hz

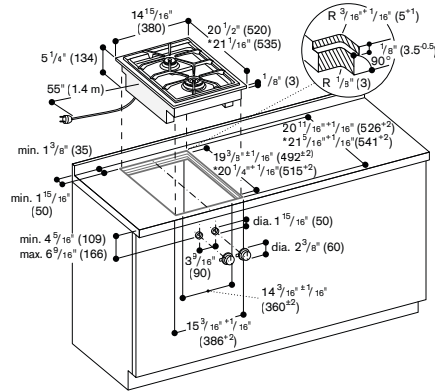
Connecting cable 55" with plug.

Surface-mount Installation



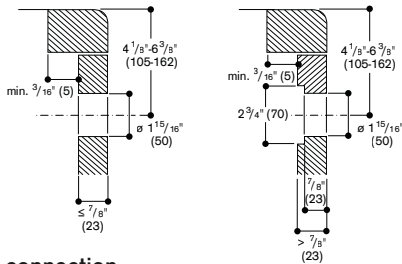
* with appliance cover or adjustment strip. See separate planning notes on page 89.

Flush-mount Installation

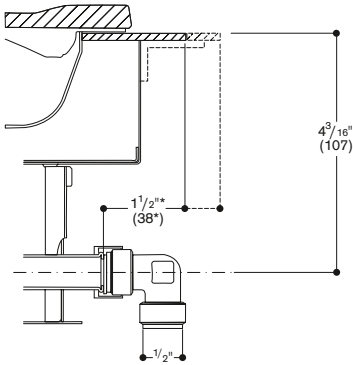


* With appliance cover or adjustment strip. See separate planning notes on page 89.

Installation of the control knob; surface-mount installation

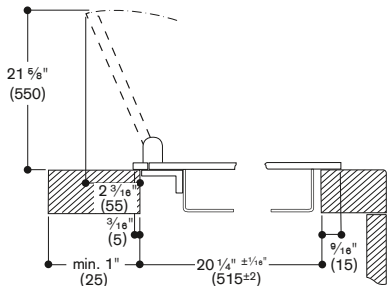


Gas connection

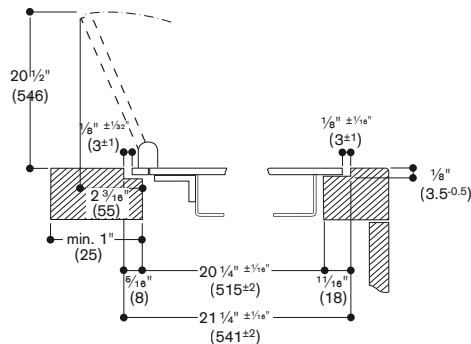


* 2 1/16" (53 mm) with appliance cover or adjustment strip.

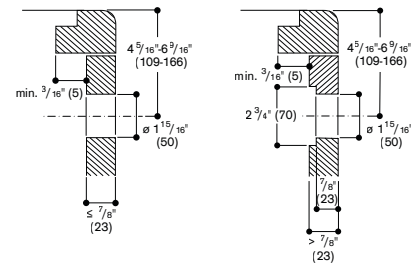
Installation with appliance cover/adjustment strip; surface-mount installation



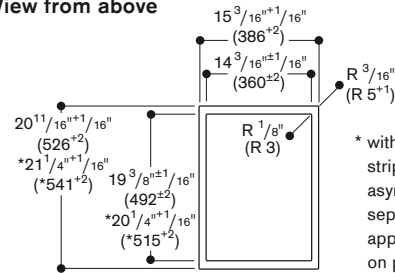
Installation with appliance cover/adjustment strip; flush-mount installation



Installation of the control knob; flush-mount installation

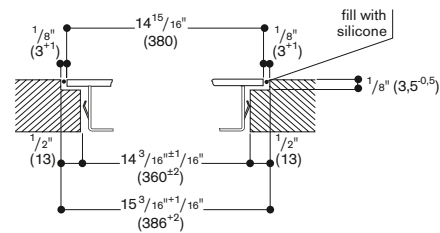


View from above

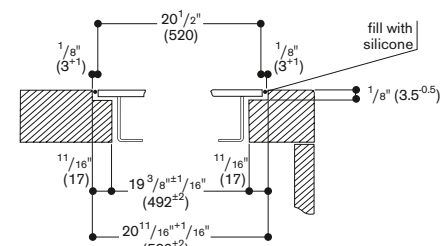


* with appliance cover or adjustment strip (observe front and rear asymmetrical assembly. See separate notes "assembly with appliance cover/adjustment strip" on page 89).

Longitudinal section



Cross-section



When installing with appliance cover or adjustment strip, pay attention to the deeper cut-out and the front and rear groove width.

Numbers indicated inside parenthesis () = mm