



#### VG 295 114CA

Stainless steel control panel

Propane gas

Width 36" (90 cm)

#### VG 295 214CA

Stainless steel control panel

Natural gas

Width 36" (90 cm)

#### Optional accessories

##### WP 400 001

Wok pan made of multiple-layer material with round bottom and handle ø 14 3/16" height 3 15/16".

#### 200 series gas cooktop

##### VG 295

- Sturdy stainless steel, solid smooth-surface cast-iron pan support and top control panel
- 59,700 BTU on five burners including wok burner
- Convenient operation with automatic quick ignition

#### Cooking zones

5 brass gas burners:

2 two-ring super-high output burners (165 – 4,000 W)

550 – 13,600 BTU, suitable for pots up to max. ø 11".

2 two-ring standard burners (165 – 2,000 W) 550 – 6,800 BTU, suitable for pots up to max. ø 9 1/2".

1 three-ring super-high output burner (300 – 5,500 W) 1,000 – 18,800 BTU,

suitable for pots up to max. ø 12 5/8".

Ideal burner configuration, electronics and a broad output spectrum.

#### Features

All-gas cooktop for natural or propane gas.

Three-part cast-iron pan support with a flat, continuous surface.

Operation control indicator lights.

Gas valve with fine control.

Integrated control panel with cooking zone and power marking.

#### Safety

Automatic quick ignition.

Electronic flame recognition (ionization principle) with automatic re-ignition.

#### Planning notes

Installation in a 36" (90 cm) base cabinet.

Air admission from above.

No intermediate shelf required.

The gas cooktop is equipped with a 55" connecting cable and a grounded plug.

The appliance must be set up and connected in accordance with the applicable installation specifications.

A ventilation hood must be switched on during operation of the gas cooktop. The rear panel must consist of a non-flammable material.

Wall trims must be heat-resistant.

A minimum clearance of 12" from adjacent heat-sensitive wooden side panels must be observed or thermal insulation must be installed.

Minimum distance between gas cooktop(s) and ventilation hood must be 30".

When installing this cooktop next to another appliance of the Vario Series 200, a minimum clearance of 2" between the single cut-outs should be observed.

Cooktop clamping range:

1 3/16" – 2".

Can be installed above the 36" EB 333 oven with 1/2" minimum distance.

The appliance is not operable without electrical connection.

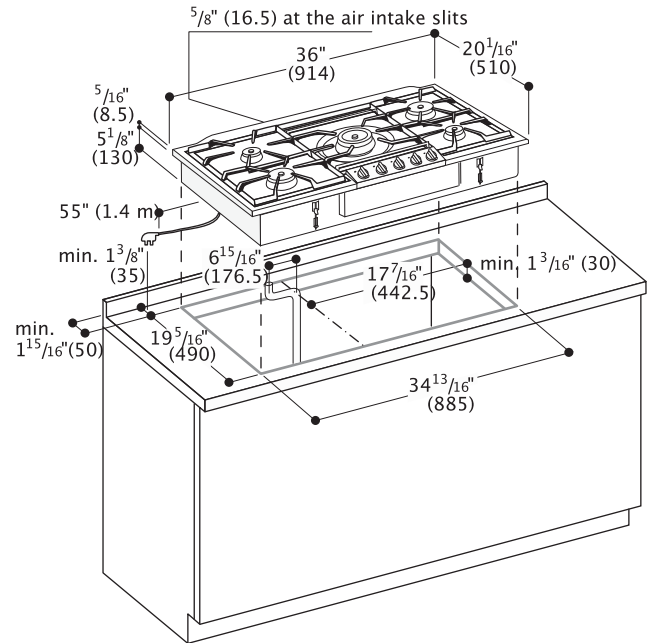
#### Rating

Total rating: 59,700 BTU.

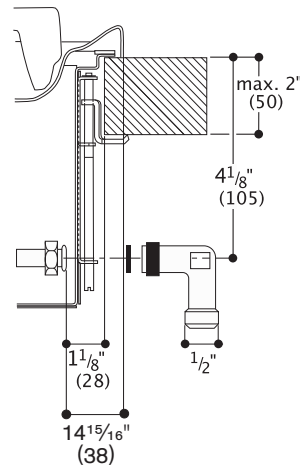
Total Amps: .2 A.

120 V / 60 Hz

Connecting cable 55" with ground plug.



#### Gas connection



Note: When planning installation over an oven, plan gas connections and shut-off in adjacent cabinet.

Numbers indicated inside parenthesis ( ) = mm