



Vario 200 series gas cooktop

VG 232

- Special appliance for restaurant-grade capabilities in the home kitchen
- Generous control panel for comfortable and secure operation
- Electric ignition of all burners. Simply press the knob, turn it and hold it there until a stable flame burns

Cooking zones

2 gas burners suitable for pots up to max. \varnothing 8 1/16".
 One high-output burner (9,500 BTU).
 One standard burner (6,500 BTU).

Features

Brushed stainless steel cooktop.
 Electric ignition.
 Cast-iron pan support, also suitable for small pots.
 Enameled burner cap.
 Equipped for natural gas. For conversion to LP gas, LP kit (part# 419839) must be ordered.

Safety

All-gas valve with fine control and thermoelectric safety pilot.

Planning notes

Maximum drawer depth 16 9/16".
 Appliance clicks into place when inserted in the countertop from above.
 A minimum clearance of 5 7/8" from adjacent heat-sensitive furniture or contact surfaces must be observed or thermal insulation must be installed.

Please read additional planning notes on page 98.

Rating

Total rating: 16,000 BTU.
 Total Amps: 1 A.
 120 V / 60 Hz
 Connecting cable 55" with plug.

VG 232 214CA

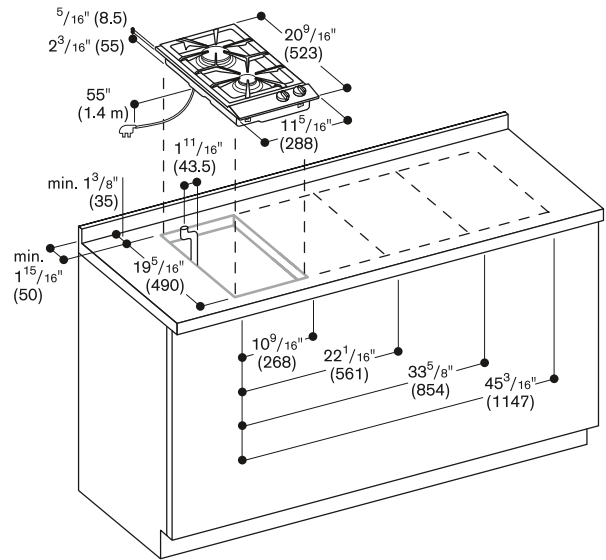
Stainless steel control panel
 Natural gas
 Width 12" (28 cm)

Installation accessories

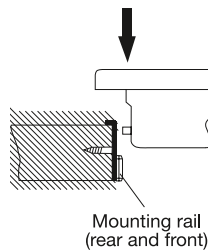
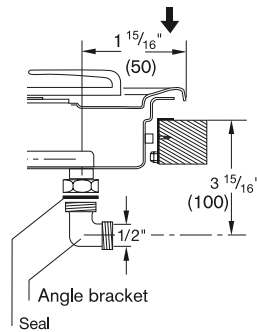
VV 200 014
 Connecting strip for combination with other Vario cooktops

Optional accessories

VD 201 014
 Brushed stainless steel appliance cover



Gas connection



Numbers indicated inside parenthesis () = mm