

**Gaggenau**

Installation instructions.....2  
Instructions d'installation.....12  
Instrucciones de instalación.....23

# VF 414 610

Deep Fryer  
Friteuse  
Freidora

---

## Safety Definitions

---

---

### **WARNING**

This indicates that death or serious injuries may occur as a result of non-observance of this warning.

---

---

### **CAUTION**

This indicates that minor or moderate injuries may occur as a result of non-observance of this warning.

---

**NOTICE:** This indicates that damage to the appliance or property may occur as a result of non-compliance with this advisory.

**Note:** This alerts you to important information and/or tips.



# IMPORTANT SAFETY INSTRUCTIONS

READ AND SAVE THESE INSTRUCTIONS

INSTALLER: LEAVE THESE INSTRUCTIONS WITH THE APPLIANCE AFTER INSTALLATION IS COMPLETE.

IMPORTANT: SAVE THESE INSTRUCTIONS FOR THE LOCAL ELECTRICAL INSPECTOR'S USE.

---

## WARNING

If the information in this manual is not followed exactly, fire or shock may result causing property damage or personal injury.

---

---

## WARNING

Do not repair, replace or remove any part of the appliance unless specifically recommended in the manuals. Improper installation, service or maintenance can cause injury or property damage. Refer to this manual for guidance. All other servicing should be done by a qualified technician.

---

## Appliance Handling Safety

Hidden surfaces may have sharp edges. Use caution when reaching behind or under appliance.

## Safety Codes and Standards

This appliance complies with one or more of the following Standards:

- **UL 858, The Standard for the Safety of Household Electric Ranges**
- **UL 923, The Standard for the Safety of Microwave Cooking Appliances**
- **UL 507, The Standard for the Safety of Electric Fans**
- **ANSI Z21.1, The American National Standard for Household Cooking Gas Appliances**
- **CAN/CSA-C22.2 No. 113-M1984 Fans and Ventilators**
- **CAN/CSA-C22.2 No. 61-M89 Household Cooking Ranges**

It is the responsibility of the owner and the installer to determine if additional requirements and/or standards apply to specific installations.

## Electric Safety

---

### WARNING

---

Before you plug in an electrical cord or turn on power supply, make sure all controls are in the OFF position.

---

If required by the National Electrical Code (or Canadian Electrical Code), this appliance must be installed on a separate branch circuit.

---

### WARNING

---

#### Risk of electrical shock or fire

Frame grounded to neutral through a ground strap. Grounding through the neutral conductor is prohibited for new branch-circuit installations (1996 NEC), mobile homes, and recreational vehicles, or in an area where local codes prohibit grounding through the neutral conductor.

For installations where grounding through the neutral conductor is prohibited,

- a) disconnect the link from the neutral,
  - b) use grounding terminal or lead to ground unit,
  - c) connect neutral terminal to lead branch circuit neutral in usual manner (when the appliance is to be connected by means of a cord kit, use a UL listed 4-conductor cord for this purpose).
- 

Be sure your appliance is properly installed and grounded by a qualified technician. Installation, electrical connections and grounding must comply with all applicable codes.

Before installing, turn power OFF at the service panel. Lock service panel to prevent power from being turned ON accidentally.

Installer – show the owner the location of the circuit breaker or fuse. Mark it for easy reference.

## Related Equipment Safety

The appliance is only guaranteed safe to use if installed by a specialist in accordance with these installation instructions. The installer is liable for any damage resulting from incorrect installation.

Remove all tape and packaging before using the appliance. Destroy the packaging after unpacking the appliance. Never allow children to play with packaging material.



# IMPORTANT SAFETY INSTRUCTIONS

READ AND SAVE THESE INSTRUCTIONS

Never modify or alter the construction of the appliance. For example, do not remove leveling legs, panels, wire covers or anti-tip brackets/screws.

To eliminate the risk of burns or fire by reaching over heated surface units, cabinet storage space located above the surface units should be avoided. If cabinet storage is to be provided, the risk can be reduced by installing a hood that projects horizontally a minimum of 5 inches (127 mm) beyond the bottom of the cabinet.

Verify that cabinets above the cooktop are a maximum of 13" (330 mm) deep.

When installing a cooktop over a single oven, be sure to follow both the oven's and cooktop's installation manuals.

## State of California Proposition 65

### Warnings

---

#### WARNING

This product contains chemicals known to the State of California to cause cancer, birth defects or other reproductive harm.

---

---

## Before You Begin

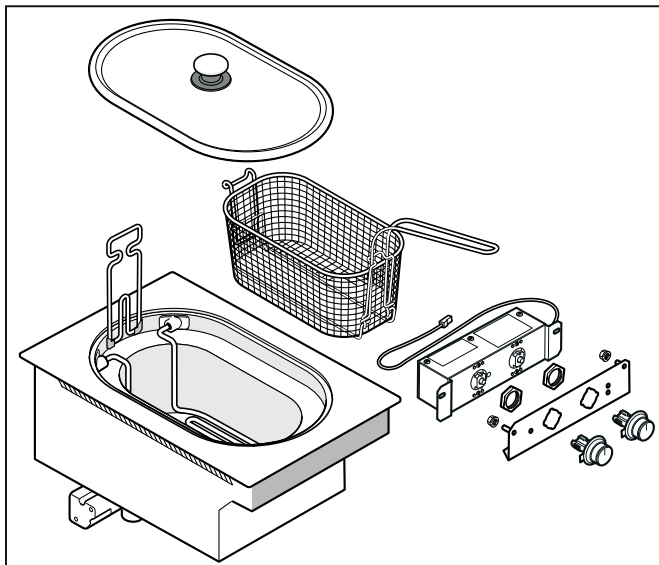
---

### Tools and Parts Needed

- Screwdriver Torx T20
- Pencil
- Drill with ¼" (6 mm) bit
- Jigsaw
- Tape Measure

**Note:** Additional materials may be necessary for installation in solid surface countertops. Contact the countertop manufacturer.

### Parts Included



### Special accessories

You can order the following accessories from your specialist dealer:

- VA 440 010 Stainless steel appliance cover
- VA 420 000 Connection strip for combination with other Vario appliances in the 400 series for flush installation
- VA 420 001 Connection strip for combination with other Vario appliances in the 400 series for flush installation with appliance cover/compensation strip
- VA 420 010 Connection strip for combination with other Vario appliances in the 400 series for surface-mounted installation

VA 420 011 Connection strip for combination with other Vario appliances in the 400 series for surface-mounted installation with appliance cover/compensation strip

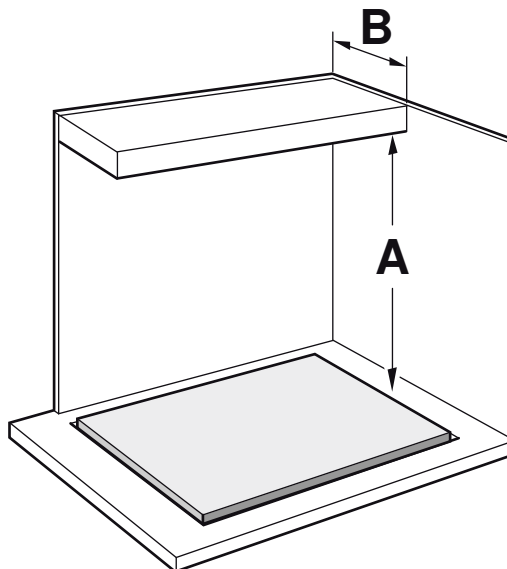
VA 450 400 Appliance extension 15" (38 cm)

Use the accessories only as indicated. The manufacturer assumes no liability for incorrect usage of the accessories.

### Cabinet Requirements

The distance from the top of the cooktop to the bottom of cabinets above must be a minimum of A=30" (762 mm).

Verify that the cabinets above the cooktop are a maximum of B=13" (330 mm) deep.



### Countertop Requirements

---

**⚠ WARNING**

To reduce the risk of ignition of surrounding combustible materials, install at least 2" (51 mm) from both sidewalls and the rear wall.

---

The countertop must be level and horizontal. The stability of the countertop must be maintained after the cut-out has been made.

Solid surface countertops often require special installations. For example, heat-reflective tape and rounded corners may be necessary. Contact the countertop manufacturer for instructions specific to your countertop.

## Prepare Installation Space

The kitchen unit must be heat-resistant to at least 200° F (90° C). The stability of the unit must be maintained after producing the cut-out.

Produce the cut-out in the countertop for one or more Vario appliances as shown in the installation sketch. The angle between the cut surface and the countertop must be 90°.

The cut edges at the sides must be flat to ensure a good fit of the retaining springs on the appliance. In laminated worktops, it may be necessary to fit strips at the sides of the cut-out.

Remove shavings after cutting. Seal cut surfaces for resistance to heat and so they are watertight.

Pay attention to a minimum gap of 3/8" (10 mm) from the underside of the appliance to kitchen units.

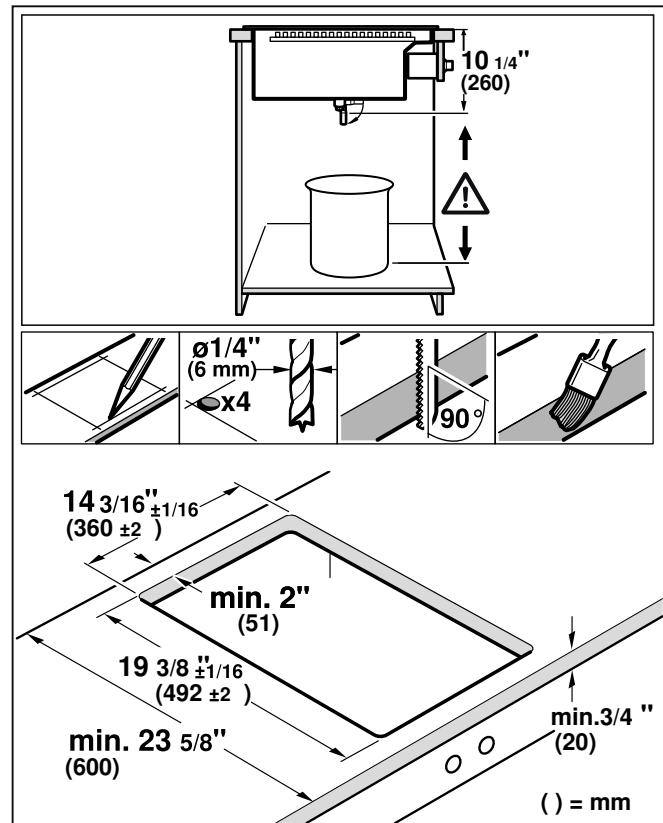
Use suitable base constructions to ensure load-carrying capacity and stability, especially in the case of thin countertops. Pay attention to the weight of the appliance, including any payload. Reinforcement material used must be resistant to heat and moisture.

**Note:** Wait until the appliance has been installed in the installation opening before checking that it is level.

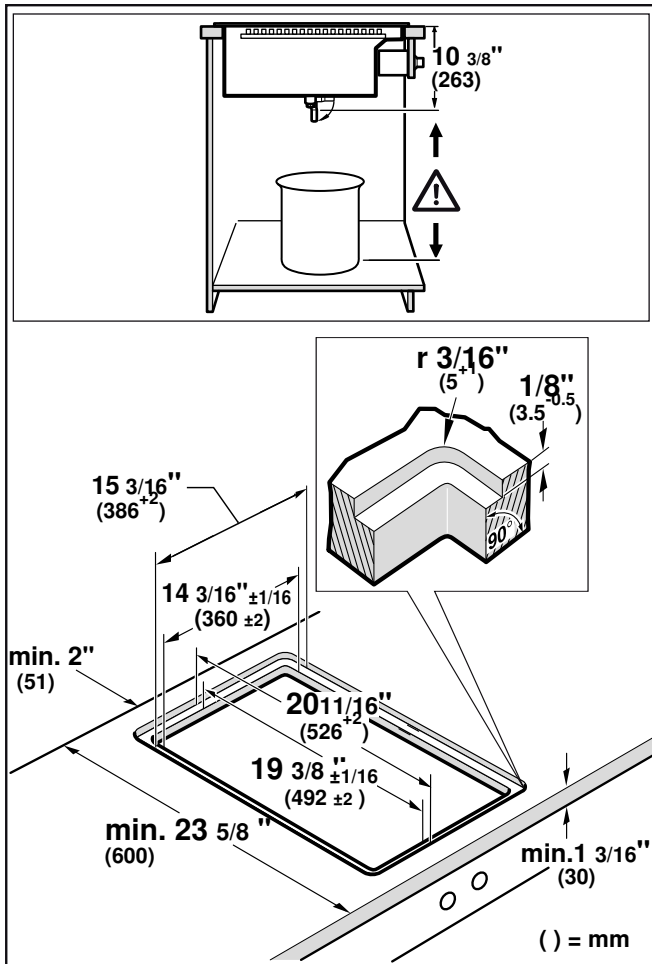
### Notes

- Consider space needed in the floor cupboard under the drain valve of the appliance.
- Do not install the steam cooker VK 414 and the deep fryer VF 414 directly next to one another. This poses a risk of grease explosion during operation due to water splashes in hot oil.

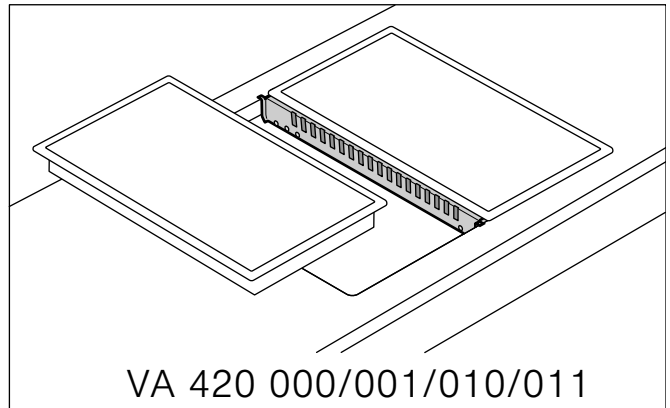
## Cutting out countertop



**Flush mounting:** Flush mounting into a countertop is possible.

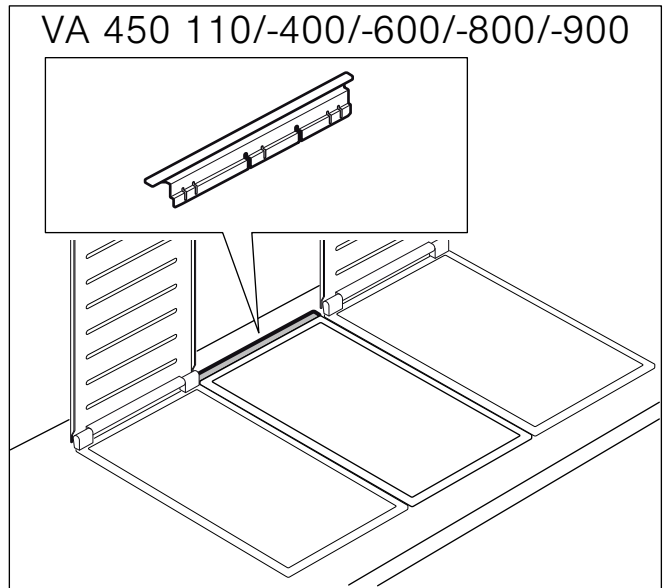


**Combining several Vario devices:** The connecting strip VA 420 000/001/010/011 is required for the combination of several Vario appliances. This is available separately as a special accessory. Consider additional space requirement for the connecting strip between the appliances when making the cut-out (see installation instructions VA 420 000/001/010/011).



Appliances can also be installed in individual cut-outs, bearing in mind a minimum distance between the devices of 2" (51 mm).

When combining several appliances with or without appliance cover, you can use the appliance extensions VA 450 110/-400/-600/-800/-900 (depending on appliance width) to balance out dimension differences.



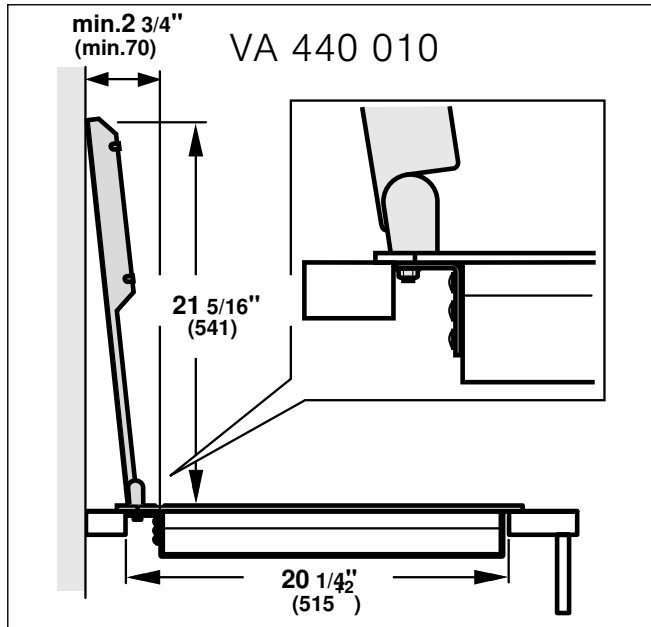
**Flush installation:** The appliance can be installed in the following temperature- and water-resistant countertops:

- Stone countertops
- Plastic countertops (such as Corian®)
- Solid wood countertops: Only in consultation with the manufacturer of the countertop (seal cut-out edges)
- Installation in other countertops only in consultation with the manufacturer of the countertop.

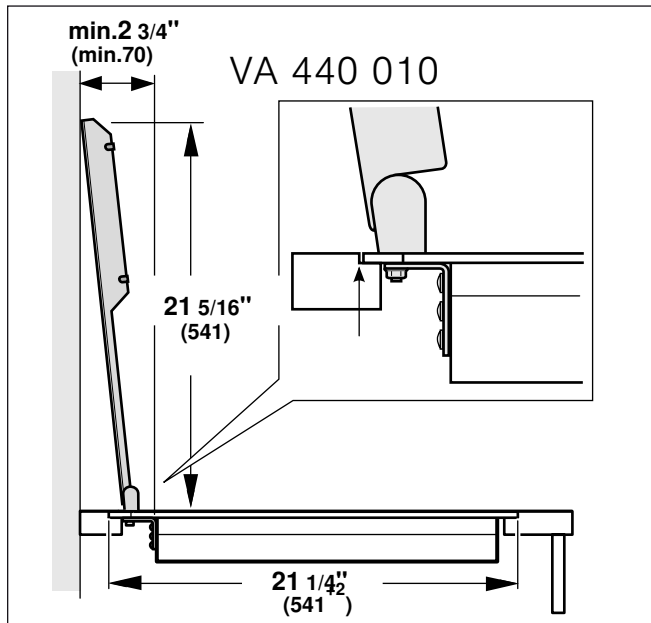
Installation in countertops made of particleboard is not possible.

**Note:** Any cut-out work on the countertop must be performed in a workshop according to the installation diagram. The cut-out must be made cleanly and precisely since the cut-out edge is visible on the surface. Clean and degrease the cut-out edges with a suitable cleaning agent (bear in mind silicone manufacturer's processing instructions).

**Combination with appliance cover:** The appliance cover VA 440 010 is available separately as a special accessory. When creating the cut-out, bear in mind the additional space required for the appliance cover.



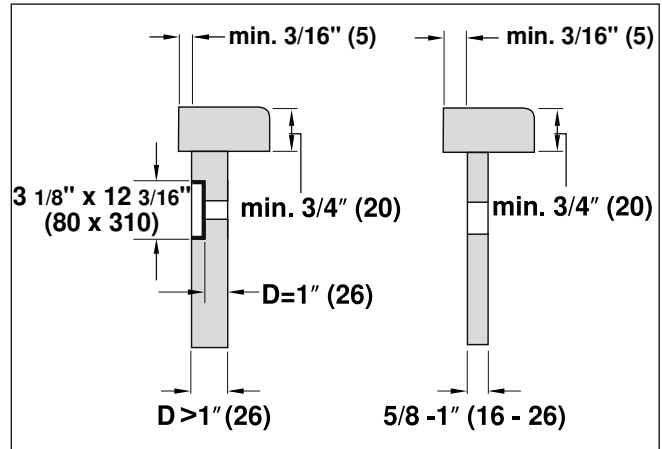
Flush installation:



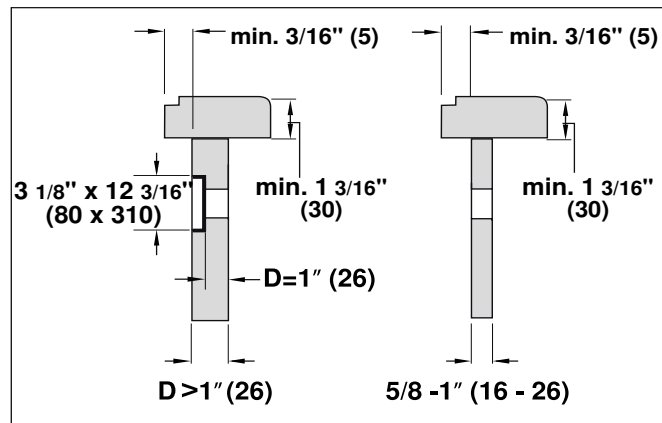
### Hole for control knob

The built-in control console can be integrated into the lower cabinet at drawer level. Panel thickness: 5/8" - 1" (16 - 26 mm)

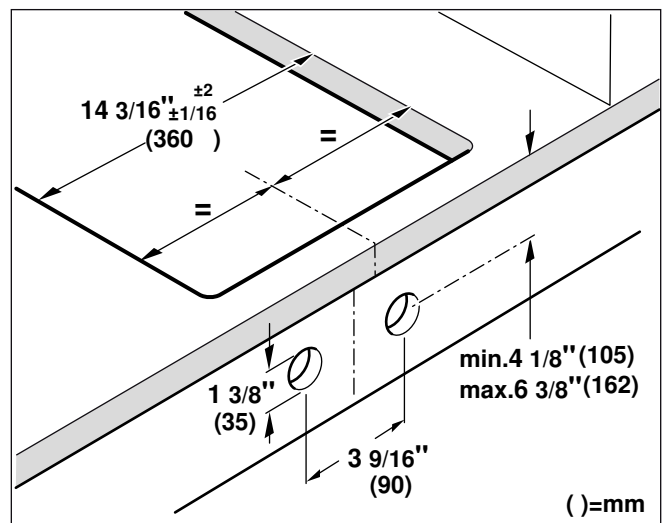
- 1 If front panel thickness is greater than 1" (26 mm): Mill out front panel on rear side to the dimensions 3 1/8" x 12 3/16" (80 x 310) to the point that the thickness doesn't exceed 1" (26 mm).



For flush mounting:

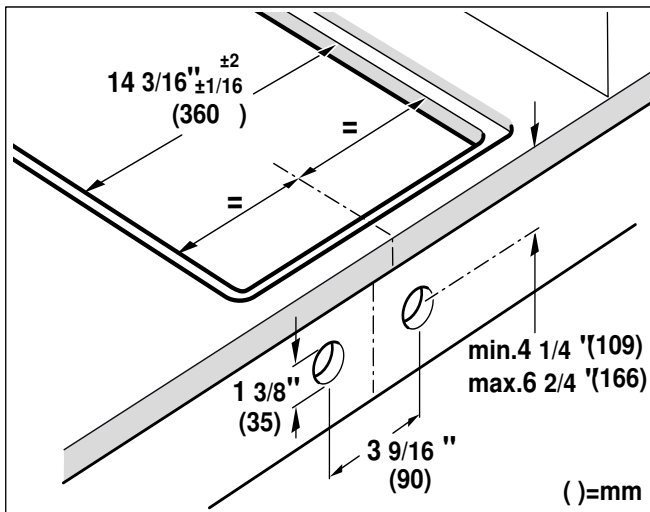


- 2 According to the figure, create the drill hole  $\varnothing 1 \frac{3}{8}$ " (35 mm) for fixing in place the control knob in the front side of the lower cabinet. A drilling template is included for precise positioning of the drill hole.





For flush mounting:

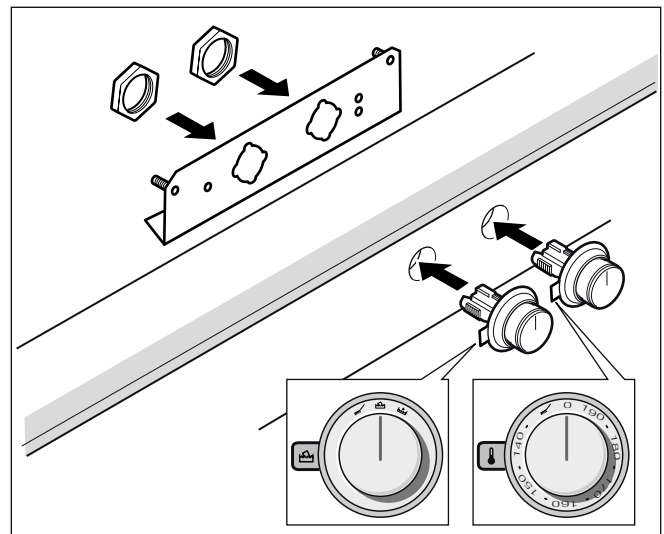


## Installation Procedure

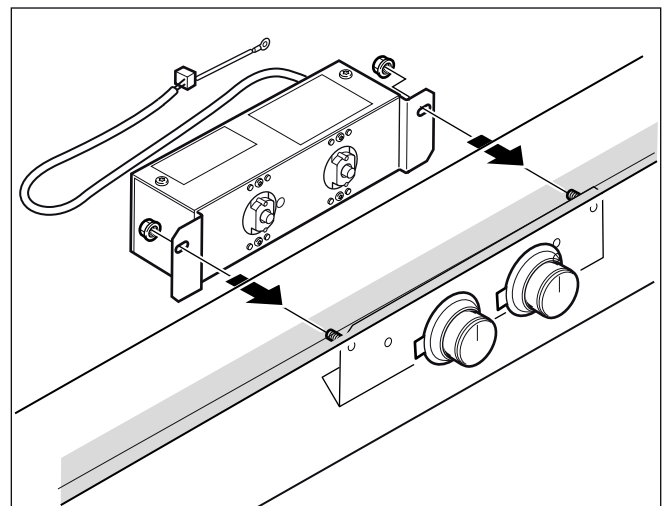
### Installation of control console

**Note:** Only install the appliance in conjunction with the corresponding control console.

- 1 Remove the packaging of the control knobs and the protective film from the light rings.
- 2 Open the cover of the terminal box on the control console. Secure the mains connecting lead as shown in the terminal diagram and secure it with pull relief. Close the terminal box cover.
- 3 Hold the retaining plate against the front panel from behind. Stick the control knobs into the holes from the front and screw it tight from behind with the nuts. Make sure that the control knobs are correctly arranged.



- 4 Screw the control console tight to the retaining plate using the nuts included.

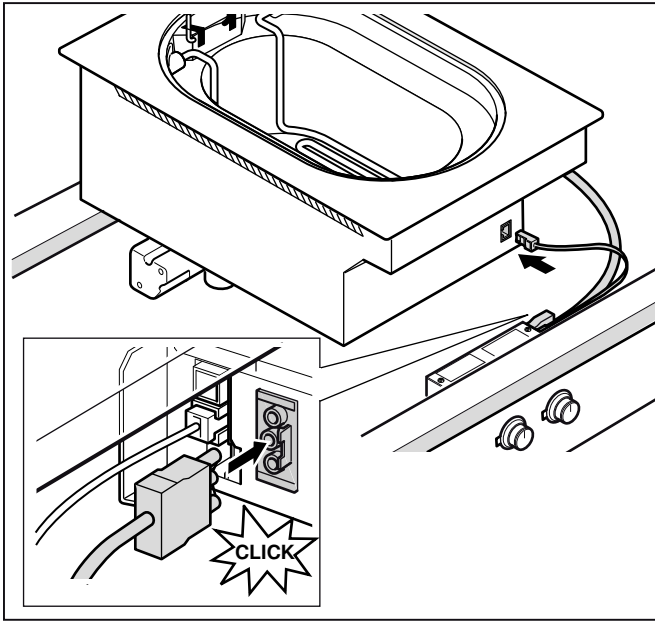


## Install Appliance

### **⚠ WARNING**

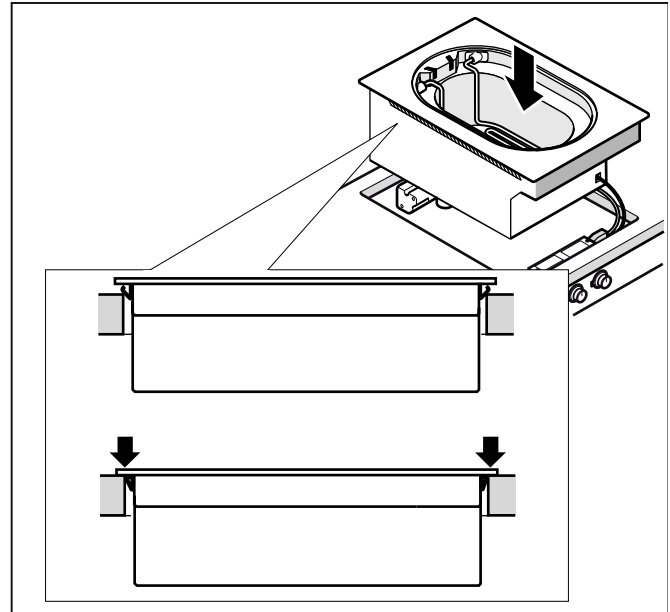
Before you plug in an electrical cord or turn on power supply, make sure all controls are in the OFF position.

- 1 Firmly insert the connecting lead from the appliance on the control console. The plug must engage. Plug the control cable on the appliance in the socket. The plug must engage. The plug must engage.



- 2 Evenly insert the unit in the cut-out. Press the unit firmly into the cut-out from above.

**Note:** The unit must sit firmly in the cut-out and must not move (e.g. during cleaning). If necessary, secure strips at the sides in the cut-out if the cut-out width is at the top tolerance limit.



- 3 Connect the appliance to the mains and check that it is working. If both illuminated rings behind the control knobs flash alternately, the connecting cable between the control console and the appliance is not plugged in. Check that the connecting cable is fitted correctly.
- 4 **Flush installation only: it is imperative to test functioning before jointing!** Joint the surrounding gap with a suitable, temperature-resistant silicone adhesive (such as OTTOSEAL® S 70). Smoothen the seal joint with smoothing agent recommended by the manufacturer. Observe the notes on processing the silicone adhesive. Do not operate the appliance until the silicone adhesive has dried completely (at least 24 hours, depending on room temperature).

**NOTICE:** Unsuitable silicone adhesive used on natural stone worktops will cause permanent discoloration.

## Connect Electrical Supply

Refer to data plate for more information. See "Service" for data plate location.

The branch-circuit breakers ampacity, the wire sizes and the connections must be conform to the requirements of the National Electrical Code or Canadian Electrical Code and all local codes and ordinances.

Attach flexible conduit to the junction box. Connect the lead wires to the junction box supply wires in proper phase:

- black (L1) to black
- red (L2) to red
- green to ground

The mains connecting cable must at least correspond to the type SJTO 3x16 AWG 105°C. The mains connecting cable must only be purchased through and connected by an authorised specialist.

#### Connection with a plug

- Plug has to be conform with NEMA CONFIGURATIONS FOR PLUGS AND RECEPTACLES.
- The appliance must be properly grounded.
- Plug must be rated not less than type 6-20 P (2-pole 3-wire grounding).
- Only a qualified electrician should connect the plug.
- Install a socket outlet earthed in accordance with regulations approx. 27" (700 mm) above the floor behind the appliance. The socket outlet must still be accessible after installation.

## Check the Installation

### **⚠ WARNING**

Before you plug in an electrical cord or turn on power supply, make sure all controls are in the OFF position.

Remove everything from the cooktop surface. Clean cooktop surface with cooktop cleaning creme.

Switch on the circuit breaker.

Verify that elements function properly.

## Removing appliance

Disconnect the appliance from the power supply. For flush-mounted appliances, remove the silicone joint. Push out the appliance from below.

### **⚠ CAUTION**

Damage to appliance! Don't lever device out from above at the frame.

## Customer service

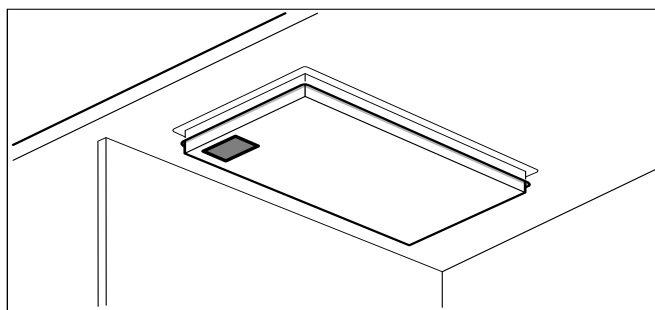
If your appliance needs repairs, our customer service is there for you. We work hard to help solve problems quickly and without unnecessary service calls, getting your appliance back up and running correctly in the least amount of time possible.

When you call, please indicate the product number (E-Nr.) and serial number (FD-Nr.) so that we can support you in a qualified manner. You will find the type plate with these numbers on the bottom of the appliance. To avoid having to search for a long time when you need it, you can enter your appliance data and the customer support telephone number here.

E-Nr.	FD-Nr.
-------	--------

Customer Service ☎

Please read the installation instructions and use and care instructions provided with your appliance. Failure to do so may result in an error in using the appliance. This could result in a service call that instead of fixing a mechanical issue is only needed for customer education. Such calls are not covered by the appliance warranty.



Please find the contact data of all countries in the enclosed customer service list.

#### To book an engineer visit and product advice

USA 877 442 4436  
toll-free

CANADA 800 828 9165

You can rely on the manufacturer's expertise. Rest assured that the repair will be handled by trained service technicians who have the original replacement parts for your appliance.

---

## Définitions de Sécurité

---

---

### AVERTISSEMENT

---

Le non-respect de cet avertissement peut entraîner la mort ou des blessures graves.

---

---

### ATTENTION

---

Le non-respect de cet avertissement peut entraîner des blessures mineures ou modérées.

---

**AVIS :** Vous indique que des dommages à l'appareil ou aux biens peuvent survenir si vous ne respectez pas cet avertissement.

**Remarque :** Vous signale des informations importantes ou des conseils.



# CONSIGNES DE SÉCURITÉ IMPORTANTES

LIRE ET CONSERVER CES INSTRUCTIONS

INSTALLATEUR : LAISSEZ CES INSTRUCTIONS AVEC L'APPAREIL APRÈS UNE FOIS L'INSTALLATION TERMINÉE.

IMPORTANT : CONSERVER CES INSTRUCTIONS POUR L'USAGE DE L'INSPECTEUR ÉLECTRIQUE LOCAL.

---

## AVERTISSEMENT

---

Si l'information de ce guide n'est pas suivie exactement, il peut en résulter un incendie ou un choc électrique causant des dommages à la propriété, des blessures ou la mort.

---

---

## AVERTISSEMENT

---

Ne pas réparer ni remplacer toute pièce de l'appareil à moins que cela ne soit expressément recommandé dans ce manuel. Ne jamais modifier ni altérer la configuration de l'appareil. Toute installation, réparation ou maintenance inadéquate peut entraîner des blessures ou des dommages matériels. Se reporter à ce manuel pour obtenir des conseils sur la façon de procéder. Toute réparation doit être effectuée par un centre de réparation autorisé par l'usine.

---

## Sécurité de manipulation de l'appareil

Certaines surfaces peuvent avoir des bords tranchants. Faire attention en étendant le bras derrière l'appareil ou en dessous.

## Codes et normes de sécurité

Cet appareil est conforme à une ou plusieurs des normes suivantes :

- **UL 858, norme pour la sécurité des cuisinières électriques domestiques**
- **UL 923, norme pour la sécurité des appareils de cuisson à micro-ondes**
- **UL 507, norme pour la sécurité des ventilateurs électriques**
- **ANSI Z21.1, norme nationale américaine pour les appareils de cuisson à gaz domestiques**

- **CAN/CSA-C22.2 No. 113-M1984, Ventilateurs et soufflantes**
- **CAN/CSA-C22.2 No. 61-M89, Cuisinières pour usage ménager**

Il incombe au propriétaire et à l'installateur de déterminer si des exigences additionnelles et/ou normes s'appliquent pour des installations spécifiques.

## Sécurité électrique

---

### AVERTISSEMENT

---

Avant de brancher un cordon électrique ou de mettre l'appareil sous tension, s'assurer que les commandes sont en position d'ARRÊT.

---

S'il y a lieu, conformément au Code national de l'électricité (ou au Code canadien de l'électricité), cet appareil doit être installé sur un circuit de dérivation séparé.

---

---

### AVERTISSEMENT

---

#### Risque de choc électrique ou d'incendie

Le cadre est mis à la terre au neutre par le conducteur de terre. La mise à la terre par le conducteur neutre est interdite pour les nouvelles installations de circuit terminal (NEC 1996), les maisons mobiles et les véhicules de plaisance ou dans les endroits où les codes locaux interdisent la mise à la terre par un conducteur neutre.

Pour les installations où la mise à la terre par le conducteur neutre est interdite,

- a) débrancher la liaison du neutre,
  - b) utiliser la borne de terre ou le fil pour mettre l'appareil à la terre,
  - c) brancher la borne neutre sur le fil neutre du circuit terminal de la façon habituelle (lorsque l'appareil doit être branché au moyen d'un nécessaire de cordon, utiliser un cordon à 4 fils homologué par l'Underwriters Laboratory prévu à cet effet).
- 

S'assurer que l'appareil est installé et mis à la terre par un technicien qualifié. L'installation, les connexions électriques et la mise à la terre doivent être conformes à tous les codes applicables.



# CONSIGNES DE SÉCURITÉ IMPORTANTES

LIRE ET CONSERVER CES INSTRUCTIONS

Avant l'installation, mettre l'appareil hors service au panneau de service. Verrouiller le panneau d'entrée d'électricité pour éviter que le courant ne soit accidentellement rétabli.

Installateur – Indiquer au propriétaire l'emplacement du disjoncteur ou du fusible. Identifier sa position pour pouvoir le retrouver facilement.

## Sécurité apparentée concernant l'équipement

L'utilisation sécuritaire n'est garantie que si l'installation de la table de cuisson se fait par un spécialiste conformément à ces instructions. L'installateur est responsable de tout dommage résultant d'une installation incorrecte.

Enlever le ruban adhésif et l'emballage avant d'utiliser l'appareil. Détruire l'emballage après avoir déballé l'appareil. Ne jamais laisser les enfants jouer avec les matériaux de conditionnement.

Ne jamais modifier ni altérer la configuration de l'appareil. Par exemple, ne pas retirer les pieds de nivellement, les panneaux, les couvercles de câblage ou les fixations/vis antibasculement.

Pour éliminer le risque de brûlures ou d'incendie lorsque l'on allonge le bras au-dessus des éléments de surface chauds, éviter d'installer des placards au-dessus des éléments de surface. Si l'installation de placards est prévue, le risque peut être réduit en installant une hotte aspirante qui dépasse horizontalement d'au moins 5 po (127 mm) la base du placard.

Vérifiez que la profondeur des armoires situées au-dessus de la table de cuisson ne dépasse pas 13 po (330 mm).

Lors de l'installation de la table de cuisson sur un four simple, prendre bien soin de suivre les instructions des manuels d'installation du four et de la table de cuisson.

## Avertissements de la Proposition 65 de l'État de la Californie

---

### AVERTISSEMENT

---

Ce produit contient des produits chimiques connus de l'État de la Californie pour causer le cancer, des anomalies congénitales ou d'autres problèmes de reproduction.

---

---

## Avant de commencer

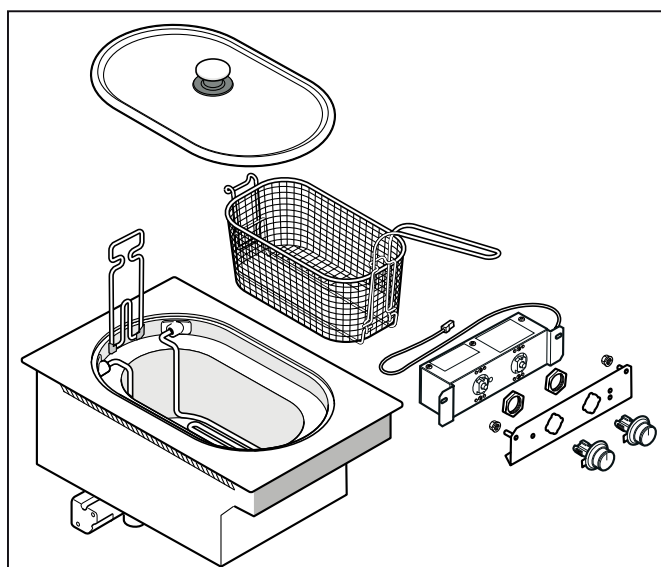
---

### Outils et pièces nécessaires

- Tournevis à empreinte Torx T20
- Crayon
- Perceuse avec mèche 1/4" po (6 mm)
- Scie sauteuse
- Ruban à mesurer

**Remarque :** Des matériaux supplémentaires peuvent être nécessaires pour installer les plans de travail à surface solide. Contacter le fabricant du plan de travail.

### Pièces comprises



### Accessoires spéciaux

Vous pouvez commander les accessoires suivants auprès de votre distributeur :

- VA 440 010 Couvercle en inox
- VA 420 000 Réglette de jonction pour associer d'autres appareils Vario de la série 400 à montage en affleurement
- VA 420 001 Réglette de jonction pour associer d'autres appareils Vario de la série 400 à montage en affleurement, avec couvercle et réglette de rattrapage
- VA 420 010 Réglette de jonction pour associer d'autres appareils Vario de la série 400 à montage en saillie

VA 420 011 Réglette de jonction pour associer d'autres appareils Vario de la série 400 à montage en saillie, avec couvercle et réglette de rattrapage

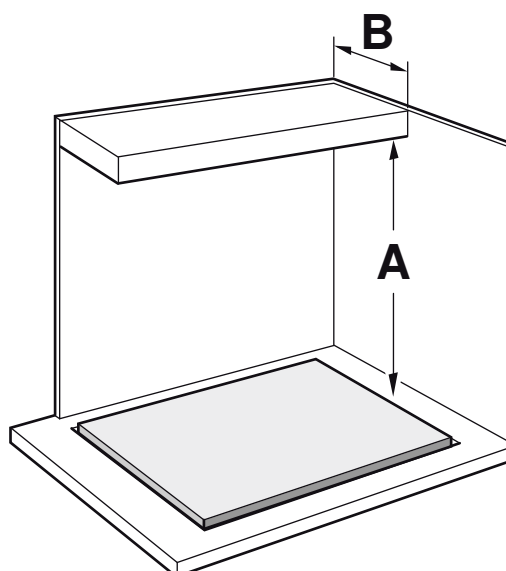
VA 450 400 Rallonge 38 cm (15 ")

Utilisez l'accessoire seulement de la manière indiquée. Le fabricant n'est pas responsable de l'utilisation non conforme des accessoires.

### Exigences pour les placards

La distance de la partie supérieure de la plaque à la partie inférieure des cabinets situés au-dessus sera de A=762 mm. au minimum.

Vérifier si les armoires au-dessus de la grille ont un maximum de B=330 mm. en profondeur.



### Exigences pour le plan de travail

---

#### AVERTISSEMENT

---

Pour réduire le risque d'inflammation des matériaux combustibles adjacents, l'installation doit laisser un dégagement d'au moins 2 po (51 mm) entre la table de cuisson et les murs latéraux et arrière.

---

Le plan de travail doit être de niveau et horizontal. Le plan de travail doit rester stable après la découpe.

Certains plans de travail à haute résistance requièrent souvent des aménagements spéciaux. Par exemple, une bande thermoréfléchissante et des coins arrondis peuvent être nécessaires. Contacter le fabricant du plan de travail pour obtenir des précisions.

## Préparation des meubles

Le meuble où la table de cuisson est encastrée doit résister à la chaleur jusqu'à une température de 200° F (90° C). La stabilité du meuble doit rester garantie après les opérations de découpe.

Réaliser la découpe dans le plan de travail pour un ou plusieurs appareils Vario, conformément au schéma de pose. Le plan de coupe doit faire un angle de 90° avec le plan de travail.

Les bords de coupe latéraux doivent être plans afin de garantir la fixation des ressorts de maintien sur l'appareil. Dans le cas de plans de travail multicouches, fixer éventuellement des baguettes sur les côtés de la découpe.

Après les opérations de découpe, éliminer les copeaux. Sceller les plans de coupe de façon qu'ils résistent à la chaleur et soient étanches à l'eau.

Respecter une distance minimale de 3/8" (10 mm) entre le dessous de l'appareil et les éléments du meuble.

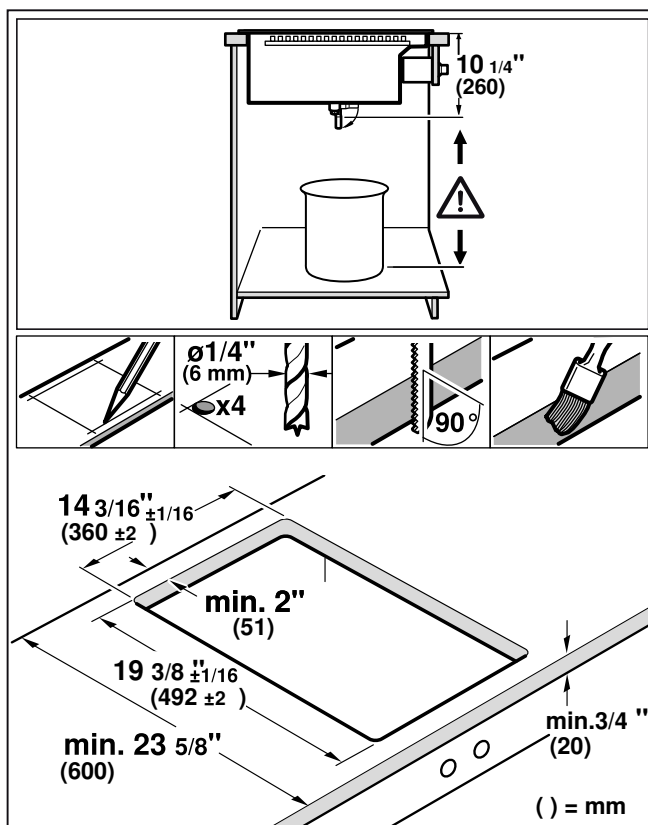
En particulier si le plan de travail est peu épais, assurer sa capacité de résistance et sa stabilité en le renforçant au moyen de structures adaptées. Tenir compte du poids des appareils, sans oublier leur contenu et leurs accessoires. Le matériau utilisé pour le renforcement doit résister à la chaleur et à l'humidité.

**Remarque :** Vérifier l'aplomb de l'appareil seulement après l'avoir installé dans la découpe.

### Remarques

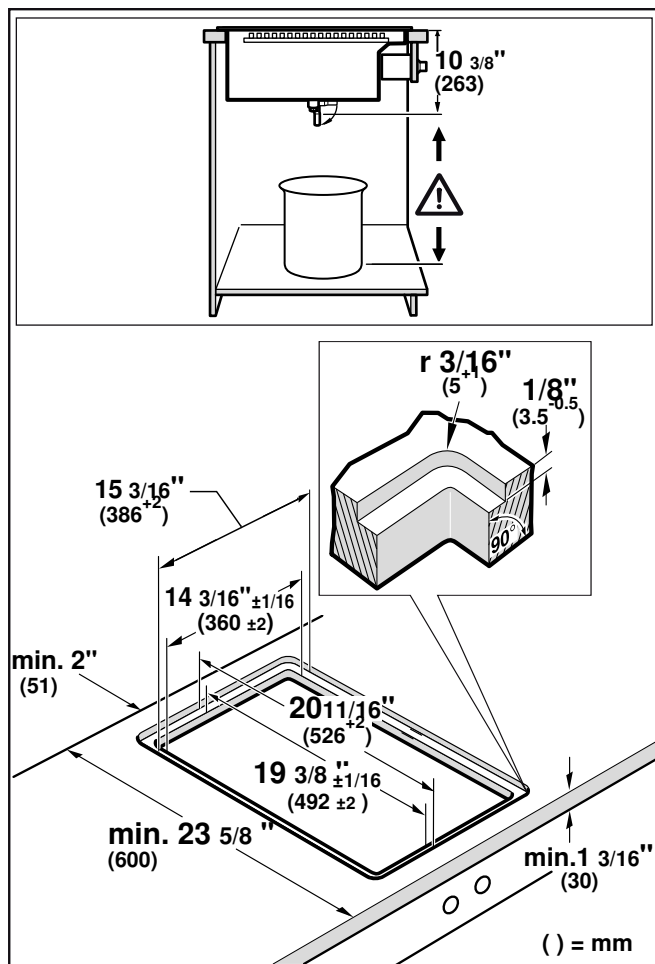
- Tenir compte de la place nécessaire dans l'élément bas, sous le robinet de vidange de l'appareil.
- Ne pas poser l'un à côté de l'autre le cuiseur vapeur VK 414 et la friteuse VF 414 ! Risque d'explosion de graisse par projections d'eau dans l'huile très chaude !

## Découper le plan de travail

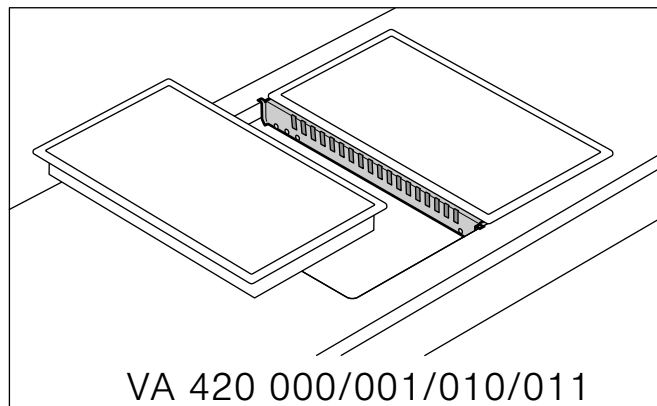




**Pose en affleurement:** L'appareil peut être posé en affleurement dans un plan de travail.

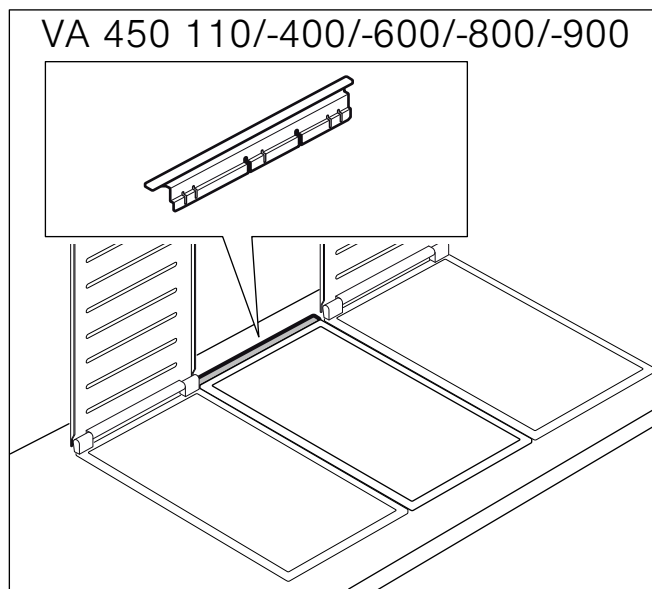


**Association de plusieurs appareils Vario :** Pour combiner plusieurs appareils Vario, il faut utiliser la barrette de jonction VA 420 000/001/010/011. Elle est disponible comme accessoire en option. Lors de la découpe, tenir compte de l'espace supplémentaire qui est nécessaire pour la barrette de jonction entre les appareils (voir la notice de montage VA 420 000/001/010/011).



Les appareils peuvent également être installés dans des découpes séparées, en respectant une distance minimale de 2" (51 mm).

Pour associer des appareils avec et sans couvercle, il faut compenser les différences de longueur en utilisant la rallonge VA 450 110/-400/-600/-800/-900 (selon la largeur de l'appareil).



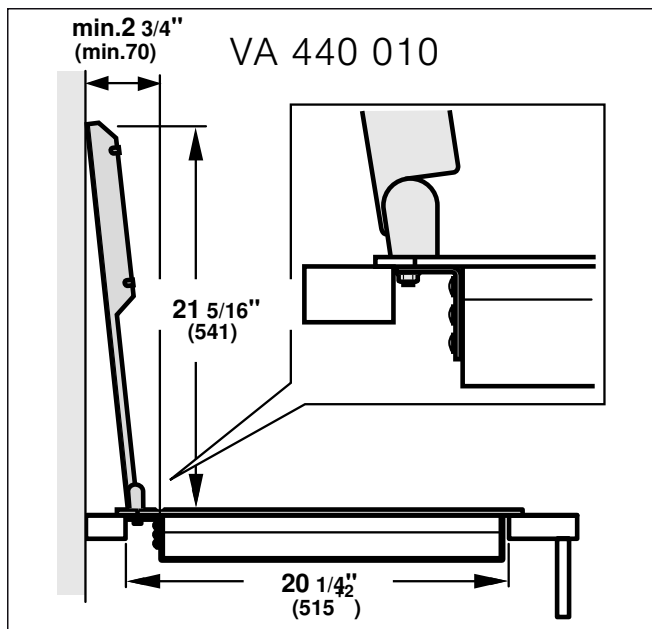
**Pose en affleurement:** L'appareil peut être encastré dans des plans de travail résistant à la chaleur et à l'eau, fabriqués dans les matériaux suivants :

- pierre
- matière plastique ou Corian®
- bois massif : seulement avec l'accord avec le fabricant du plan de travail (sceller les bords de coupe)
- La pose dans d'autres types de plan de travail : seulement avec l'accord avec le fabricant du plan de travail.

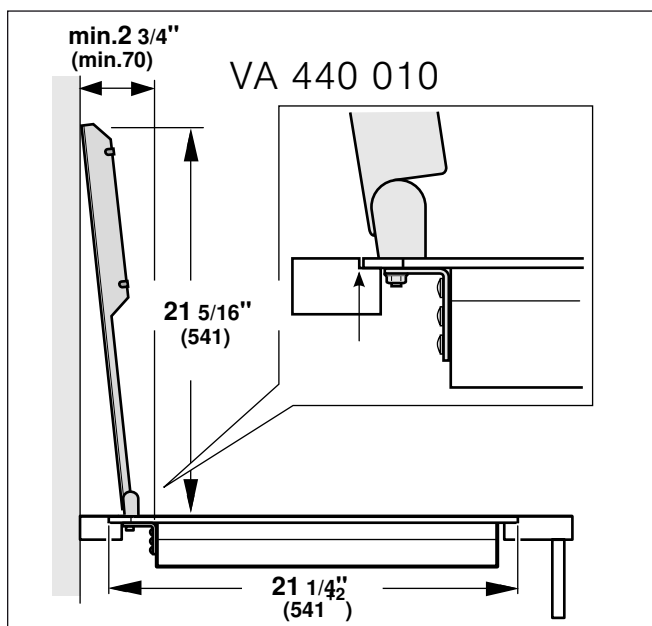
La pose dans de plan de travail de panneaux de particules n'est pas autorisée.

**Remarque :** Toutes les découpes du plan de travail doivent être faits dans un atelier spécialisé, conformément au schéma de pose. La découpe doit être nette et précise, car le bord de coupe est visible en surface. Nettoyer et dégraisser les bords de coupe avec un produit de nettoyage adéquat (respecter les instructions d'application du fabricant du silicone).

**Association à un couvercle :** Le couvercle VA 440 010 est disponible séparément en accessoire. Au moment de réaliser la découpe, tenir compte de l'encombrement du couvercle.



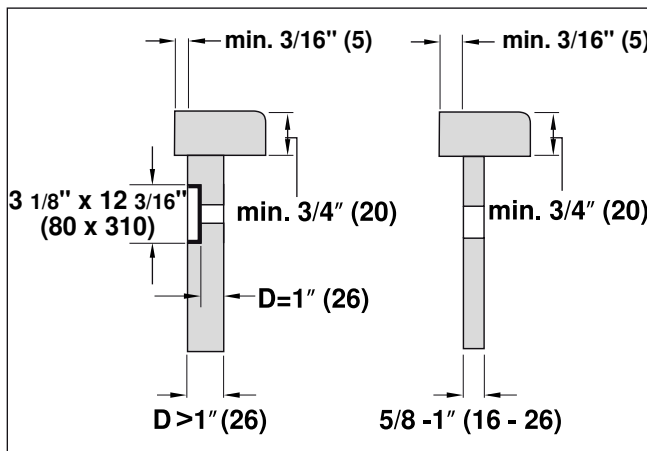
Pose en affleurement :



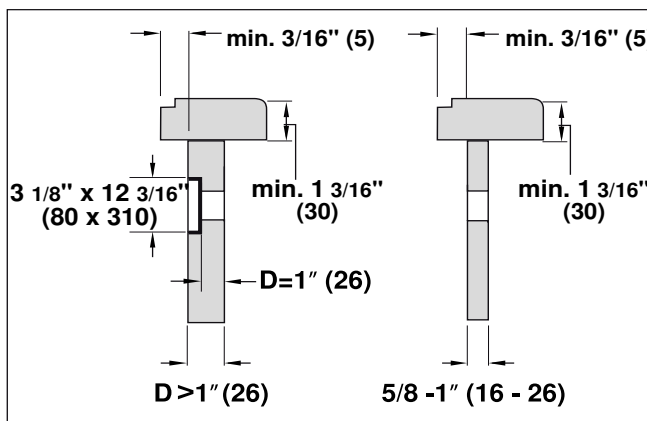
### Trou pour manette de commande

Le pupitre de commande est intégrable dans le meuble bas, à hauteur de tiroir. Epaisseur du bandeau : 5/8" - 1" (16 - 26 mm)

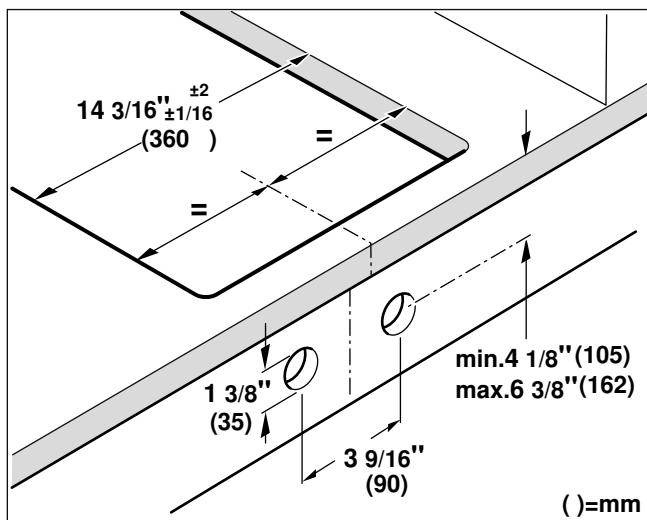
- 1 Si l'épaisseur du bandeau avant est supérieure à 1" (26 mm) : fraiser le bandeau avant, du côté arrière, à la cote 3 1/8" x 12 3/16" (80 x 310 mm) de façon que l'épaisseur ne soit pas supérieure à 1" (26 mm).



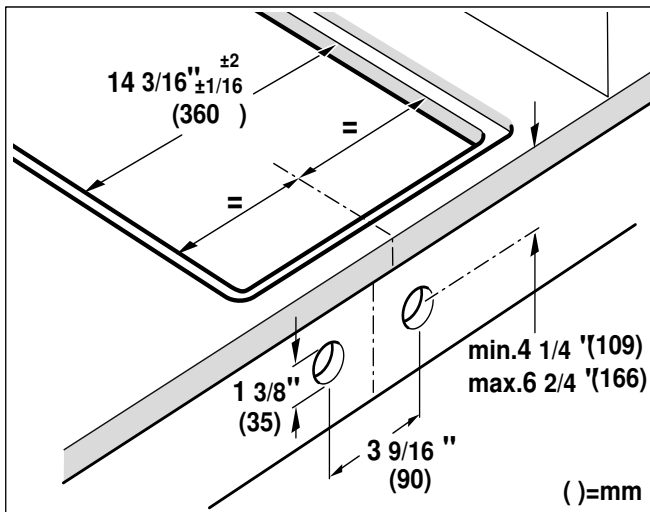
Pose en affleurement :



- 2 Selon la figure, percer un trou de Ø 1 3/8" (35 mm) pour fixer la manette de commande dans la façade du meuble bas. Pour positionner le trou avec précision, un gabarit de perçage est fourni.



Pose en affleurement :

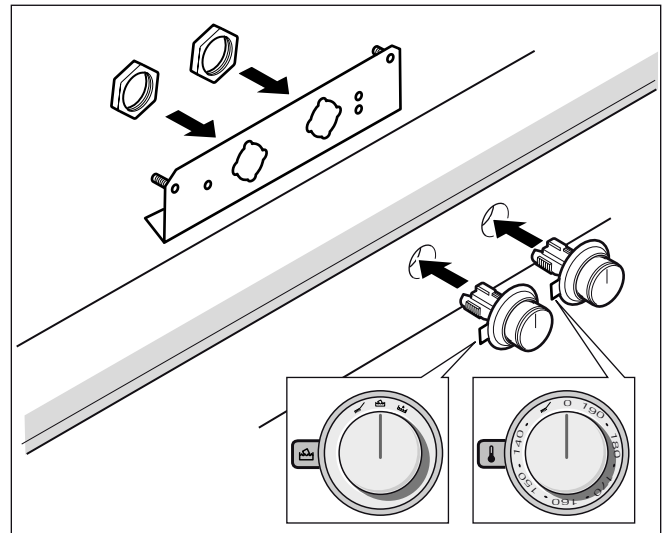


## Procédure d'installation

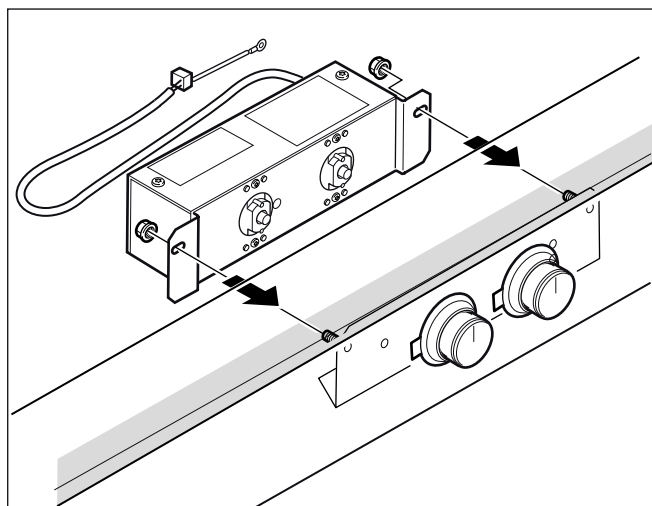
### Pose du pupitre de commande

**Remarque :** Installer l'appareil uniquement avec son pupitre de commande.

- 1 Enlever l'emballage de la manette de commande et retirer le film de protection situé derrière les anneaux lumineux.
- 2 Ouvrir le couvercle du boîtier de branchement, sur le pupitre de commande. Fixer le cordon d'alimentation secteur selon le schéma de branchement et le sécuriser au moyen du réducteur de tension. Fermer le couvercle du boîtier de branchement.
- 3 Tenir la plaque de maintien par l'arrière contre le bandeau avant. Insérer les manettes de commande par l'avant dans les trous, et visser par l'arrière avec les écrous. Veiller à ce que les manettes de commande correspondent bien à leurs foyers.

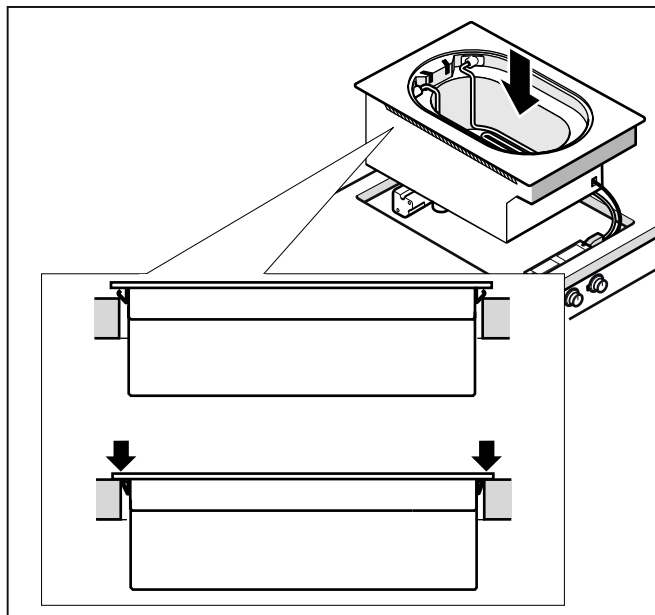


- 4 Au moyen des écrous fournis, visser le pupitre de commande à la tôle de maintien.



- 2 Introduire l'appareil bien centré dans la découpe. Exercer une pression du haut vers le bas pour bien l'enfoncer.

**Remarque :** L'appareil doit être bien fixé dans la découpe et ne doit pas bouger (par exemple pendant le nettoyage). Si la largeur de découpe se situe à la limite haute de tolérance, fixer si nécessaire des baguettes sur le côté de la découpe.

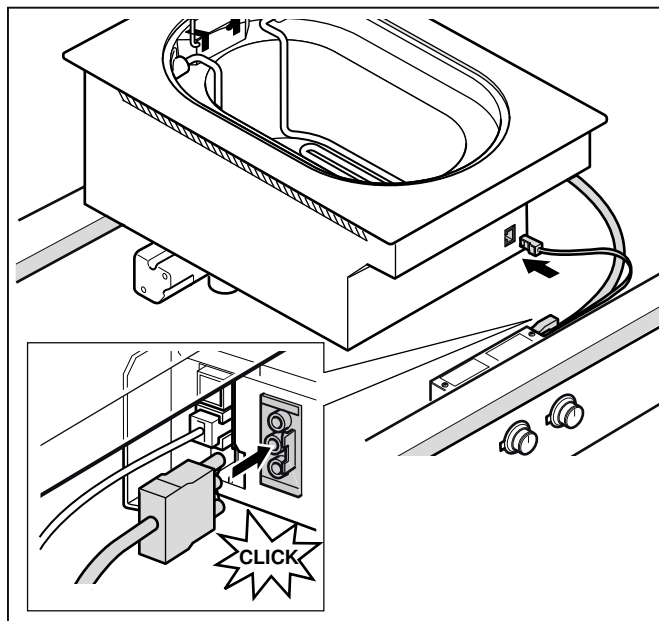


## Pose de l'appareil

### ⚠ AVERTISSEMENT

Avant de brancher un cordon électrique ou de mettre l'appareil sous tension, s'assurer que les commandes sont en position d'ARRÊT.

- 1 Brancher le câble de jonction de l'appareil au pupitre. Le connecteur doit se verrouiller. Brancher le câble de commande de l'appareil dans la prise. Il faut que le connecteur se verrouille.



- 3 Brancher l'appareil au secteur électrique et faire un essai de fonctionnement. Si les deux anneaux lumineux visibles derrière les manettes de commande clignotent en alternance, le câble reliant le pupitre à l'appareil n'est pas branché. Vérifier la fixation du câble de jonction !

- 4 **Uniquement en cas de montage en affleurement :** il faut impérativement effectuer un essai de fonctionnement avant de faire le joint ! Garnir le joint périphérique de mastic silicone résistant à la température (exemple : OTTOSEAL® S 70). Lisser le joint au moyen du produit de lissage préconisé par le fabricant. Respecter les instructions de mise en oeuvre du mastic silicone. Attendre le séchage complet du mastic silicone (au moins 24 heures, selon la température ambiante) avant de mettre l'appareil en service.

**AVIS :** L'utilisation d'un mastic silicone non adapté provoque des décolorations durables des plans de travail en pierre naturelle.

## Brancher l'alimentation électrique

Consulter la plaque signalétique pour en savoir plus. Pour savoir où se trouve la plaque signalétique, se reporter à la rubrique "Service après-vente".

Le courant admissible des disjoncteurs divisionnaires, la taille des câbles et les connexions doivent être conformes aux exigences du Code électrique national ou du Code électrique canadien ainsi qu'à tous les codes et règlements locaux.

Brancher le conduit souple à la boîte de jonction. Brancher les fils de sortie aux fils d'alimentation de la boîte de jonction en respectant les phases :

- noir (L1) avec noir
- rouge (L2) avec rouge
- vert avec la terre

Le câble principal doit être au moins du type SJTO 3x16 AWG 105°C. Le câble principal doit être acheté auprès d'un spécialiste agréé et raccordé par un spécialiste agréé.

### Branchement avec une fiche

- La fiche doit être conforme aux normes NEMA pour fiches et prises de courant.
- L'appareil doit être correctement mis à la terre.
- La fiche d'alimentation doit être au minimum du type 6-20 P (2 broches, 3 fils avec terre).
- Le branchement de la fiche doit être fait exclusivement par un électricien qualifié.
- Poser une prise de courant avec terre conformément à la réglementation, à environ 27" (700 mm) au-dessus du sol derrière l'appareil. La prise de courant doit rester accessible après la pose de l'appareil.

## Vérification de l'installation

---

### AVERTISSEMENT

---

Avant de brancher un cordon électrique ou de mettre l'appareil sous tension, s'assurer que les commandes sont en position d'ARRÊT.

---

Tout enlever de la surface de la table de cuisson. Nettoyer la surface de la table de cuisson à l'aide d'une crème de nettoyage pour table de cuisson.

Mettre le disjoncteur en circuit.

Vérifier que les éléments fonctionnent correctement.

## Dépose de l'appareil

Mettre l'appareil hors tension. Si les appareils sont posés en affleurement, enlever le joint en silicone. Faire sortir l'appareil en le soulevant par-dessus.

---

### ATTENTION

---

Risque de détérioration ! Ne pas extraire l'appareil par le haut en faisant levier sur le cadre.

---

---

## Service après-vente

---

Si votre appareil doit être réparé, notre service après-vente est à votre disposition. Nous trouvons toujours une solution adaptée, y compris pour éviter les visites inutiles de techniciens.

Lors de votre appel, indiquez le numéro du produit (n° E) et le numéro de série (n° FD) afin que nous puissions vous donner une réponse précise. La plaquette d'identification comportant ces numéros se trouve sur le dessous de l'appareil. Pour ne pas avoir à chercher longtemps en cas de besoin, vous pouvez inscrire ici les références de l'appareil et le numéro de téléphone du service après-vente.

---

N° E

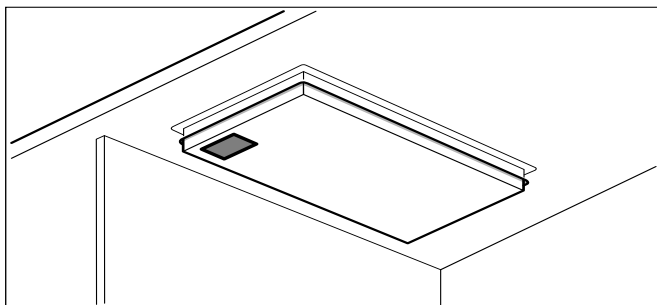
N° FD

---

**Service après-vente** ☎

---

N'oubliez pas qu'en cas de fausse manœuvre, la visite d'un technicien d'après-vente n'est pas gratuite, même pendant la garantie.



Vous trouverez les données de contact pour tous les pays dans l'annuaire ci-joint du service après-vente.

### **Demande de réparation et conseils en cas de dysfonctionnement**

**CA** 800 828 9165

Faites confiance à la compétence du fabricant. Ainsi vous êtes assurés que la réparation sera effectuée par des techniciens formés qui possèdent les pièces de rechange d'origine pour votre appareil.

---

## Definiciones de Seguridad

---

---

### ADVERTENCIA

---

Esto indica que se pueden producir lesiones graves o la muerte si no se cumple con esta advertencia.

---

---

### ATENCION

---

Esto indica que pueden producirse lesiones leves o moderadas si no se cumple con esta advertencia.

---

**AVISO:** esto indica que puede producirse un daño al electrodoméstico o a la propiedad como resultado de la falta de cumplimiento de este aviso.

**Nota:** Esto lo alerta sobre información y/o consejos importantes.



# INSTRUCCIONES DE SEGURIDAD IMPORTANTES

LEA Y CONSERVE ESTAS INSTRUCCIONES

INSTALADOR: DEJE ESTAS INSTRUCCIONES CON EL ELECTRODOMÉSTICO CUANDO HAYA FINALIZADO LA INSTALACIÓN.

IMPORTANTE: CONSERVE ESTAS INSTRUCCIONES PARA USO DEL INSPECTOR DE ELECTRICIDAD LOCAL.

---

## ADVERTENCIA

---

Si no sigue la información de este manual exactamente, se puede ocasionar un incendio o una descarga eléctrica que puede causar daños materiales o lesiones personales.

---

---

## ADVERTENCIA

---

No repare ni reemplace ninguna parte del electrodoméstico, a menos que esté específicamente recomendado en este manual. Nunca modifique ni altere la construcción del electrodoméstico. La instalación, servicio técnico o mantenimiento incorrectos pueden causar lesiones o daños materiales. Consulte este manual para su orientación. Remita todas las reparaciones a un centro de servicio técnico autorizado por la fábrica.

---

## Seguridad con el manejo del electrodoméstico

Las superficies ocultas pueden tener bordes filosos. Proceda con cuidado al intentar tomar el electrodoméstico por la parte trasera o desde abajo.

## Códigos y normas de seguridad

Este electrodoméstico cumple con una o más de las siguientes normas:

- **UL 858, Norma de seguridad para estufas eléctricas de uso doméstico (Standard for the Safety of Household Electric Ranges)**
- **UL 923, Norma de seguridad para electrodomésticos de cocción por microondas (Standard for the Safety of Microwave Cooking Appliances)**
- **UL 507, Norma de seguridad para ventiladores eléctricos (Standard for the Safety of Electric Fans)**

- **ANSI Z21.1, Norma nacional estadounidense para electrodomésticos de gas para cocinar de uso doméstico (American National Standard for Household Cooking Gas Appliances)**
- **CAN/CSA-C22.2 N.º 113-M1984, Ventiladores (Fans and Ventilators)**
- **CAN/CSA-C22.2 N.º 61-M89, Estufas de uso doméstico (Household Cooking Ranges)**

Es responsabilidad del propietario y del instalador determinar si se aplican otros requisitos y/o normas en instalaciones específicas.

## Seguridad con la electricidad

---

### ADVERTENCIA

---

Antes de enchufar un cable eléctrico o apagar la fuente de alimentación eléctrica, asegúrese de que todos los controles se encuentren en la posición OFF (Apagado).

---

Si el Código Nacional Eléctrico (o el Código Eléctrico Canadiense) así lo requiere, este electrodoméstico debe instalarse en un circuito derivado por separado.

---

### ADVERTENCIA

---

#### Riesgo de descarga eléctrica o incendio

La conexión a tierra del marco con el cable neutro debe realizarse a través de una correa de conexión a tierra. Se prohíbe hacer la conexión a tierra a través del conductor neutro para instalaciones nuevas de circuito derivado (1996 NEC), casas rodantes y vehículos recreativos, o en un área en la que los códigos locales prohíban la conexión a tierra a través del conductor neutro.

Para instalaciones en las que se prohíbe la conexión a tierra a través del conductor neutro,

- a) desconecte la conexión del conductor neutro,
  - b) use el borne de conexión a tierra o el hilo de conexión a tierra para conectar a tierra la unidad,
  - c) conecte el borne neutro al hilo neutro del circuito derivado como lo haría usualmente (cuando vaya a conectar el electrodoméstico a través de un conjunto de cables, use un cable de 4 conductores calificado por UL para este fin).
-





# INSTRUCCIONES DE SEGURIDAD IMPORTANTES

## LEA Y CONSERVE ESTAS INSTRUCCIONES

Asegúrese de que el electrodoméstico sea correctamente instalado y conectado a tierra por un técnico calificado. La instalación, las conexiones eléctricas y la conexión a tierra deben cumplir con todos los códigos correspondientes.

Antes de realizar la instalación, apague la alimentación eléctrica en el panel de servicio. Trabe el panel de servicio para impedir que se encienda accidentalmente la alimentación eléctrica.

El instalador debe mostrar al propietario la ubicación del disyuntor o el fusible. Márquela para recordarla más fácilmente.

### Seguridad relacionada con los equipos

Se garantiza la seguridad de uso de la placa solamente si es instalada por un especialista de acuerdo con estas instrucciones de instalación. El instalador es responsable de cualquier daño que se produzca debido a la instalación incorrecta.

Retire toda la cinta y el embalaje antes de usar el electrodoméstico. Destruya el embalaje después de desembalar el electrodoméstico. Nunca deje que los niños jueguen con el material de embalaje.

Nunca modifique ni altere la construcción del electrodoméstico. Por ejemplo, no retire las patas niveladoras, paneles, cubiertas para cables ni soportes/tornillos antivuelco.

Para eliminar el riesgo de quemaduras o incendio al tocar unidades de la superficie calentadas, se debe evitar dejar espacio de almacenamiento en gabinetes sobre las unidades de la superficie. En el caso de que haya almacenamiento en gabinetes, se puede reducir el riesgo instalando una campana que se proyecte horizontalmente 5 pulgadas (127 mm) como mínimo de la parte inferior del gabinete.

Verifique que los gabinetes que se encuentran sobre la placa tengan 13 pulg. (330 mm) de profundidad como máximo.

Al instalar una placa sobre un horno individual, asegúrese de seguir las instrucciones de los Manuales de instalación del horno y de la placa.

### Advertencias en virtud de la Proposición 65 del estado de California

---

#### ADVERTENCIA

---

Este producto contiene una o más sustancias químicas que el estado de California sabe que provocan cáncer, defectos congénitos, u otro daño reproductivo.

---

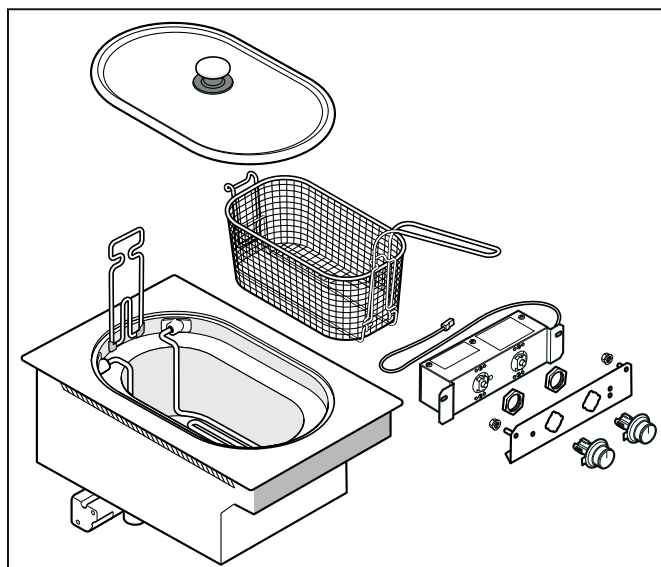
## Antes de empezar

### Herramientas y piezas necesarias

- Destornillador con cabeza Torx T20
- Lápiz
- Taladro con broca de ¼" (6 mm)
- Sierra caladora
- Cinta métrica

**Nota:** Es posible que se necesiten otros materiales para la instalación en superficies de trabajo sólidas. Comuníquese con el fabricante de la superficie de trabajo.

### Piezas incluidas



### Accesorios especiales

En su comerciante especializado, puede adquirir el accesorio indicado a continuación:

- VA 440 010 Cubierta de acero inoxidable del aparato
- VA 420 000 Barra de conexión para combinar con otros equipos Vario de la serie 400 al instalarlos uno al lado del otro con superficie corrida
- VA 420 001 Barra de conexión para combinar con otros equipos Vario de la serie 400 al instalarlos uno al lado del otro con cubierta de equipo/barra de compensación

VA 420 010 Barra de conexión para combinar con otros equipos Vario de la serie 400 al instalarlos de forma superpuesta

VA 420 011 Barra de conexión para combinar con otros equipos Vario de la serie 400 al instalarlos de forma superpuesta con cubierta de equipo/barra de compensación

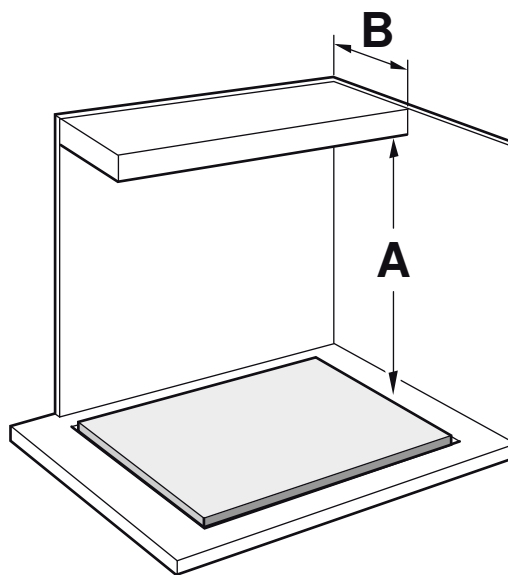
VA 450 400 Prolongación del aparato 15 " (38 cm)

Utilice el accesorio tal como se ha prescrito. El fabricante no se hace responsable por un uso incorrecto.

### Requisitos de gabinetes

La distancia desde la parte superior de la placa hasta la parte inferior de los gabinetes que se encuentran arriba deberá ser  $A=30"$  (762 mm) como mínimo.

Compruebe que los gabinetes encima de la parrilla tengan un máximo de  $B=13"$  (330 mm) de fondo.



## Requisitos de la superficie de trabajo

### ADVERTENCIA

Para reducir el riesgo de ignición de materiales combustibles circundantes, instale la superficie de trabajo con una distancia de, al menos, 2" (51 mm) de ambas paredes laterales y de la pared posterior.

La superficie de trabajo debe ser horizontal y estar nivelada. La estabilidad de la superficie de trabajo debe estar garantizada incluso después de haber realizado el hueco.

Por norma general, las encimeras de superficie sólida requieren instalaciones especiales. Por ejemplo, es posible que se deba utilizar cinta ignífuga y esquinas redondeadas. Póngase en contacto con el fabricante de su encimera para obtener instrucciones sobre la misma.

## Preparación de los muebles de montaje

El mueble de empotrado tiene que resistir una temperatura de hasta 200° F (90°C). La estabilidad del mueble de empotrado tiene que quedar garantizada también después de los trabajos de corte para realizar un hueco.

Realice el hueco para uno o varios equipos Vario en la placa de trabajo, de acuerdo con los planos de montaje. El ángulo de la superficie de corte respecto a la placa de trabajo tiene que ser de 90°.

Los cantos laterales del corte tienen que ser planos, para garantizar una buena fijación de los resortes de sujeción en el equipo. En el caso de las placas de trabajo de varias capas, de ser necesario fije unos listones de madera a los lados del hueco.

Después de los trabajos de corte, retire las virutas. Selle las superficies de corte de forma que resistan el calor y sean herméticas contra el agua.

Respete la distancia mínima de 3/8" (10 mm) de la parte inferior del equipo respecto a las partes del mueble.

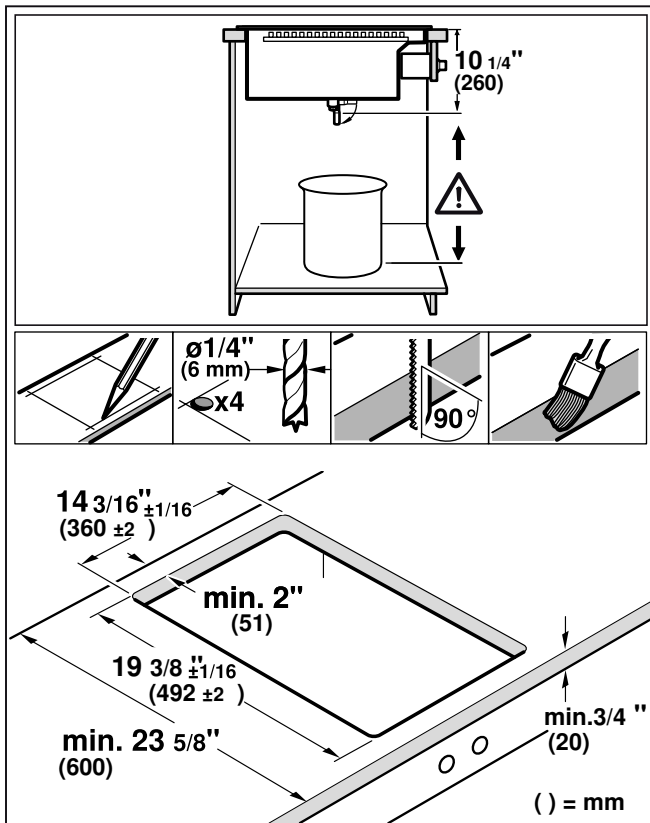
Es necesario asegurar la capacidad de carga y estabilidad a través de estructuras inferiores de apoyo adecuado, especialmente en placas de trabajo delgadas. Tome en cuenta el peso del equipo, incluyendo la carga adicional. El material de refuerzo utilizado debe ser resistente al calor y resistente a la humedad.

**Nota:** Verifique que el equipo está colocado de forma plana solamente después de instalarlo en el orificio de montaje.

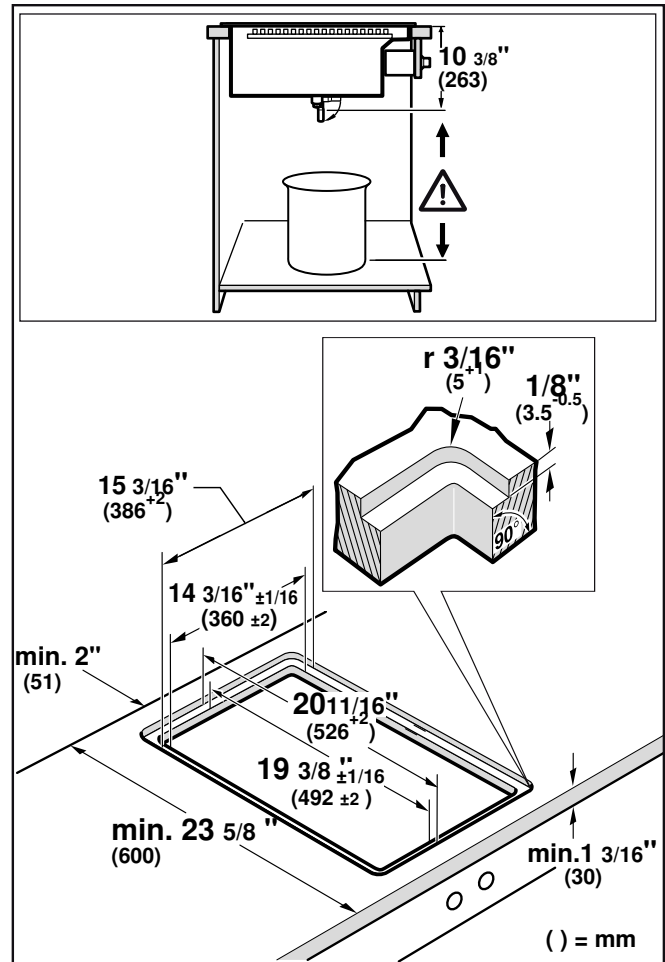
### Notas

- Tome en cuenta la necesidad de espacio en la parte inferior del armario por debajo de la llave de descarga.
- ¡No instale la vaporera VK 414 y la freidora VF 414 directamente una al lado de la otra!  
¡Peligro de explosión de la grasa al usar los equipos, debido a las salpicaduras de agua en el aceite caliente!

## Recortar la encimera



**Montaje a ras de superficie:** se puede realizar un montaje a ras de superficie de la encimera.



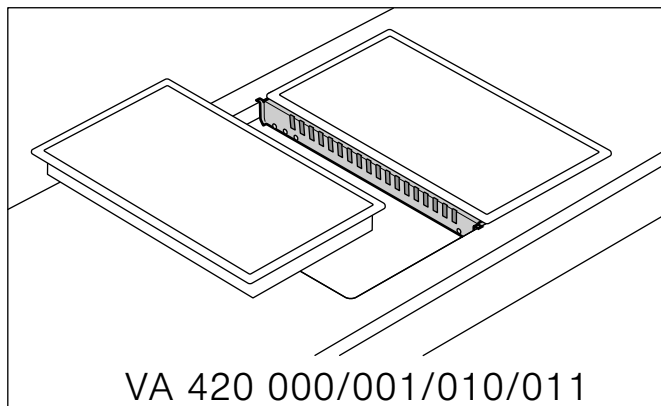
**Montaje a ras de superficie:** El aparato se puede montar en las siguientes encimeras resistentes a la temperatura y al agua:

- Encimeras de mármol
- Encimeras de plástico o Corian®
- Encimeras de madera maciza: Solo de acuerdo con el fabricante de la encimera (sellado de los bordes de recorte)
- Montaje en otro tipo de encimeras: solo de acuerdo con el fabricante de la encimera

No se puede realizar el montaje en encimeras de madera aglomerada.

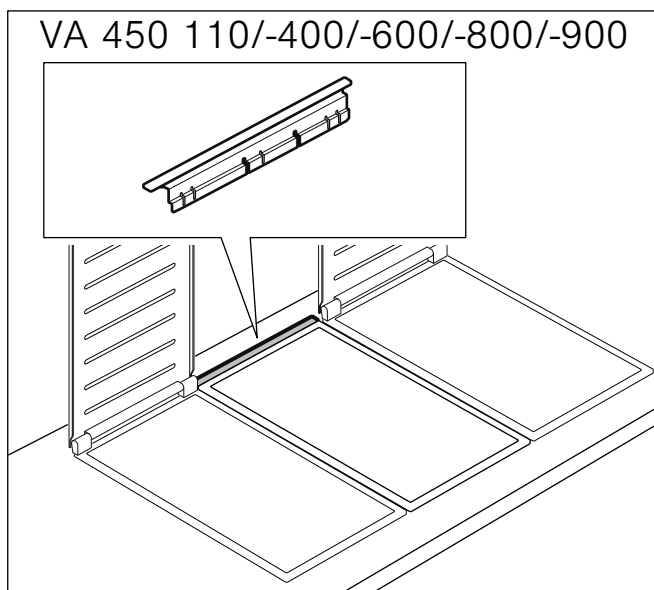
**Nota:** Todos los trabajos de recorte de la encimera deben ser realizados por un servicio especializado de acuerdo con el croquis de montaje. El recorte debe ser limpio y preciso, puesto que el borde cortado se ve en la superficie. Limpie y desengrase los bordes de recorte utilizando un producto de limpieza adecuado (consulte las indicaciones del fabricante de la silicona).

**Combinar varios aparatos Vario:** Para combinar varios aparatos Vario se requiere la barra de conexión VA 420 000/001/010/011. Esta está disponible por separado como accesorio especial. Considerar la necesidad adicional de espacio para la barra de conexión entre los aparatos al elaborar el corte (ver las Instrucciones de instalación VA 420 000/001/010/011).

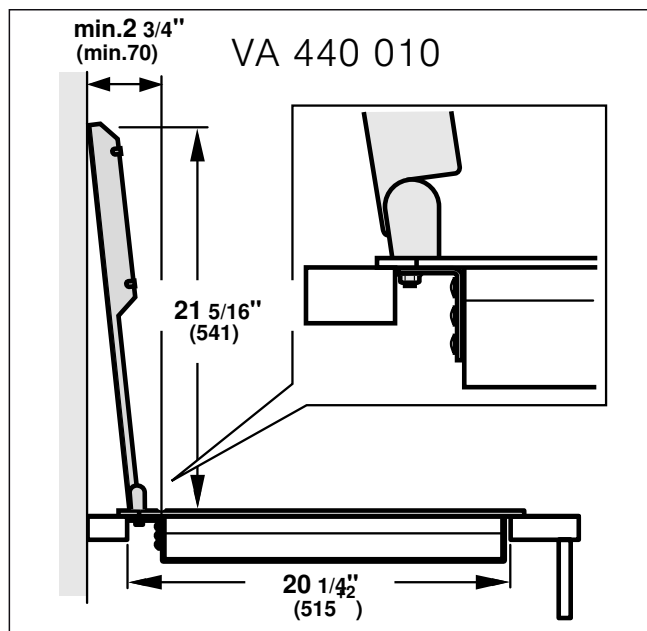


Los aparatos también se pueden montar en recortes independientes respetando las distancias mínimas de 2" (51 mm) entre aparatos.

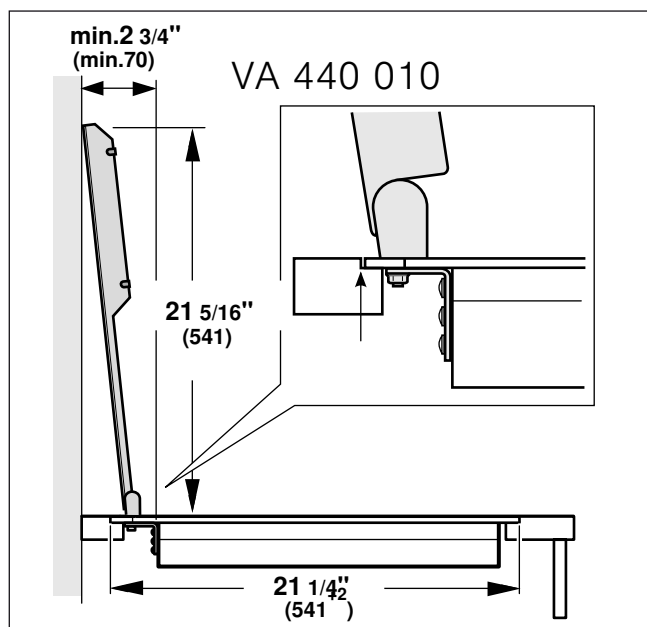
Para la combinación de aparatos con o sin cubierta de aparatos, se pueden compensar las diferencias de medidas mediante la prolongación de aparatos VA 450 110/-400/-600/-800/-900 (según el ancho del aparato).



**Combinación con cubierta para el aparato:** La cubierta del aparato VA 440 010 está disponible por separado como accesorio especial. Cuando haga el recorte, tenga en cuenta el espacio adicionales necesario para la cubierta del aparato.



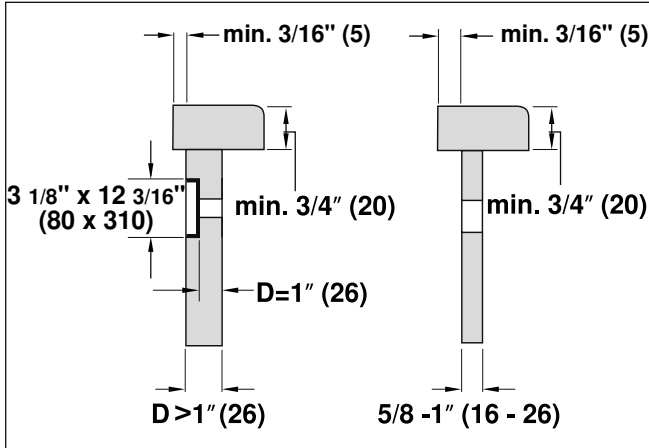
Montaje a ras de superficie:



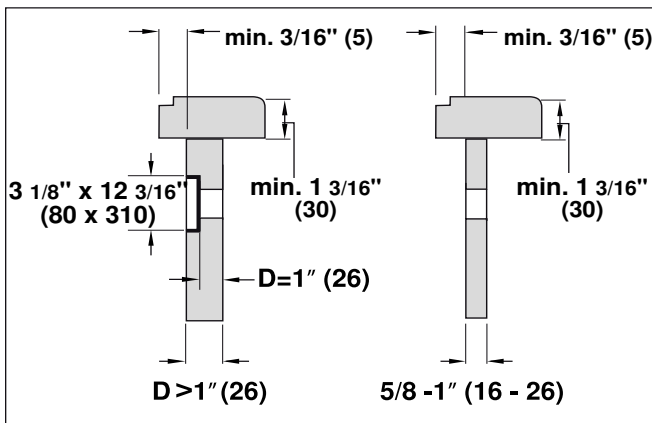
## Orificio para la maneta de mando

El panel de mandos se puede integrar a la altura de los cajones en el armario inferior. Grosor del panel:  $\frac{5}{8}$ " - 1" (16 - 26 mm)

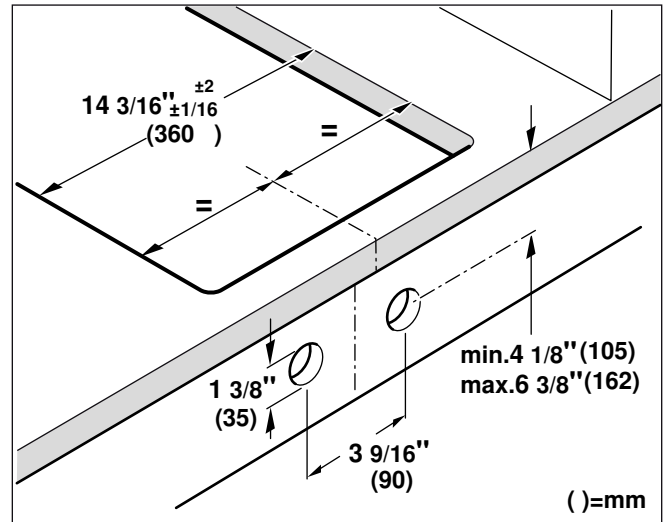
- 1 Si el panel frontal es más grueso de 1" (26 mm): rebaje la parte posterior del panel frontal a  $3\frac{1}{8}$ " x  $12\frac{3}{16}$ " (80 x 310 mm), de manera que su anchura no sea superior a 1" (26 mm).



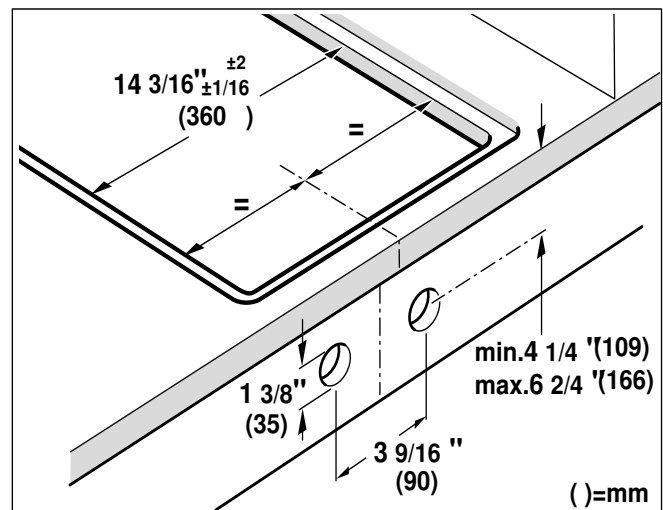
Montaje a ras de superficie:



- 2 Realice un orificio de  $\text{Ø } 1\frac{3}{8}$ " (35 mm) para fijar la maneta de mando en la parte frontal del mueble bajo de acuerdo con la ilustración. Hay disponible una plantilla de taladrado para poder colocar el orificio en la posición exacta.



Montaje a ras de superficie:

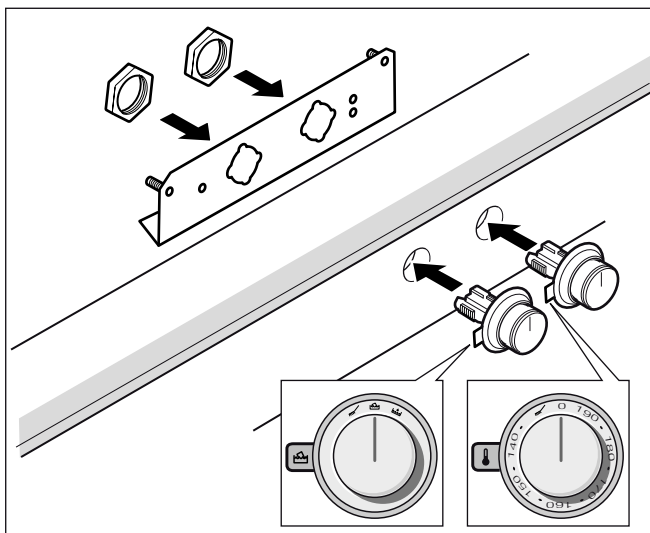


## Procedimiento de instalación

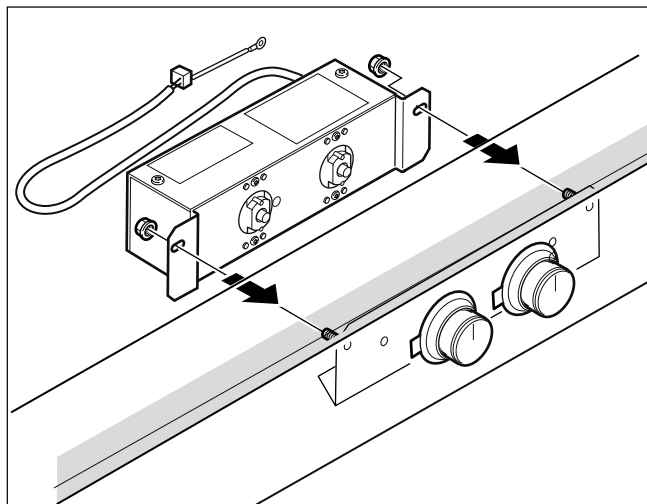
### Montar el panel de mandos

**Nota:** El aparato únicamente se debe montar con el panel de mandos correcto.

- 1 Retire el embalaje de los módulos de mando y extraiga la lámina de protección de los anillos luminosos.
- 2 Abra la tapa de la caja de conexiones en la consola de manejo. Fije el cable de conexión según el plano de conexiones, y asegúrelo con la brida antitracción. Cierre la tapa de la caja de conexiones.
- 3 Sujete la chapa de fijación contra el panel frontal desde atrás. Introduzca los módulos de mando en los orificios desde delante y atornillela por detrás con las tuercas. Preste atención a que los módulos de mando estén asignados correctamente.



- 4 Atornille el panel de mandos a la chapa de fijación utilizando las tuercas suministradas.

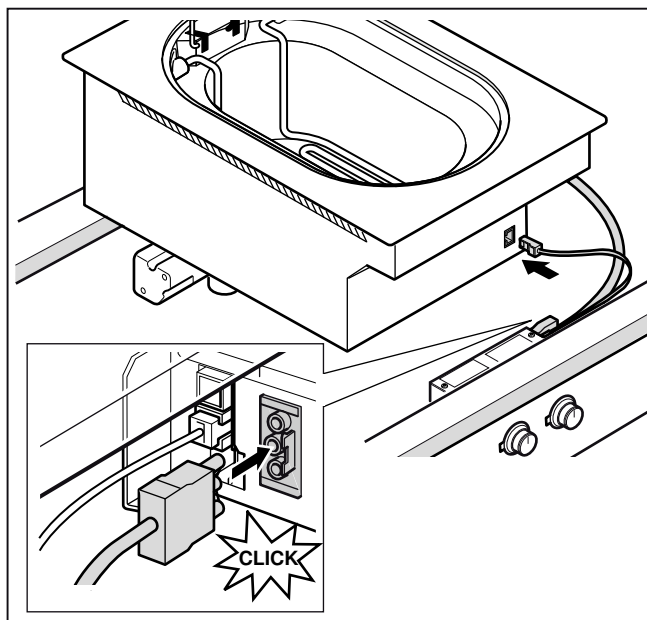


### Montaje del aparato

#### ⚠ ADVERTENCIA

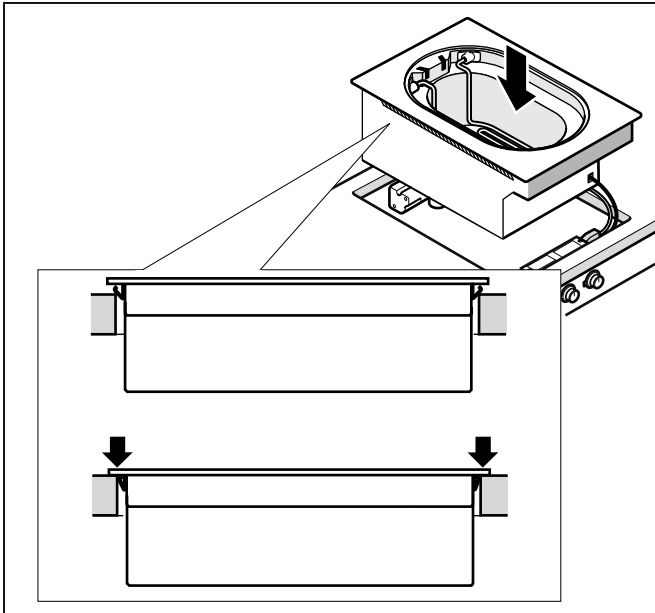
Antes de enchufar un cable eléctrico o apagar la fuente de alimentación eléctrica, asegúrese de que todos los controles se encuentren en la posición OFF (Apagado).

- 1 Conecte firmemente el cable de conexión del equipo en la consola de manejo. El enchufe tiene que encajar. Conecte el cable de control del equipo en el contacto. El enchufe tiene que encajar.



- 2 Coloque el equipo de forma uniforme en el hueco. Presione firmemente desde arriba hacia dentro del hueco.

**Nota:** El equipo tiene que quedar firmemente fijado en el hueco y no puede moverse (por ejemplo, al realizar la limpieza). Si el ancho del hueco alcanza el nivel máximo de tolerancia, de ser necesario fije unos listones de madera en los lados del hueco.



- 3 Conecte el equipo a la red y verifique su funcionamiento. Si están parpadeando ambos anillos luminosos alternadamente detrás de las perillas de mando, no está conectado el cable de conexión entre la consola de mando y el equipo. ¡Verifique que esté bien colocado el cable de conexión!
- 4 **Sólo para modelos con diseño empotrado a nivel: ¡Antes de cubrir las rendijas, lleve a cabo sin falta una prueba de funcionamiento!** La rendija circundante se debe cubrir con un pegamento de silicón adecuado, resistente a altas temperaturas (p. ej. OTTOSEAL® p. 70). Aplane la rendija de cierre hermético con el medio de aplanado recomendado por el fabricante. Tome en cuenta las indicaciones de trabajo del pegamento de silicón. Ponga el equipo en funcionamiento solamente hasta que el pegamento de silicón se haya secado totalmente (por lo menos 24 horas, según la temperatura ambiente).

**AVISO:** El pegamento de silicón inadecuado produce decoloraciones permanentes en las placas de trabajo de piedra natural.

## Conexión de la alimentación eléctrica

Para más información, véase la placa de características. Véase la ubicación de la placa de características en "Servicio".

El amperaje máximo de los disyuntores derivados, la sección de los cables y las conexiones deben ser conformes con los requisitos del Reglamento electrotécnico nacional o el Reglamento eléctrico canadiense, así como con todos los demás reglamentos y disposiciones locales.

Conectar un conducto flexible a la caja de conexión. Conectar los cables a la fase correcta de los cables de alimentación de la caja de conexión:

- Negro (L1) a negro
- Rojo (L2) a rojo
- Verde a masa

El cable de red debe corresponderse, como mínimo, con el tipo SJTO 3x16 AWG 105°C. La compra y la conexión del cable de red deben realizarse únicamente por medio de un especialista autorizado.

### Conexión con un enchufe

- El enchufe debe ser conforme con las CONFIGURACIONES NEMA PARA ENCHUFES Y CAJAS.
- El aparato debe estar debidamente conectado a tierra.
- El enchufe debe ser, como mínimo, de tipo 6-20 P (puesta a tierra de 2 polos y 3 conductores).
- La conexión del enchufe debe ser realizada únicamente por un técnico electricista cualificado.
- Instalar una base de enchufe aprox. 27" (700 mm) por encima del suelo y detrás del aparato de acuerdo con la normativa. Debe garantizarse el acceso a la base de enchufe después de su instalación.



## Pruebe la instalación

### **⚠ ADVERTENCIA**

Antes de enchufar un cable eléctrico o apagar la fuente de alimentación eléctrica, asegúrese de que todos los controles se encuentren en la posición OFF (Apagado).

Retire todos los objetos de la superficie de la placa. Limpie la superficie de la placa con crema de limpieza para placas.

Encienda el disyuntor.

Verifique que los elementos funcionen correctamente.

## Desmontaje del aparato

Desconecte el aparato de la corriente. En los aparatos montados a ras de superficie, retire la junta de silicona. Extraiga el aparato presionando desde abajo.

### **⚠ ATENCION**

¡Daños en el aparato! No intente extraer el aparato haciendo palanca desde arriba.

## Servicio de atención al cliente

Si su aparato necesita una reparación, nuestro servicio de atención al cliente estará encantado de ayudarle. Siempre encontramos la solución adecuada, incluso para evitar visitas innecesarias de los técnicos.

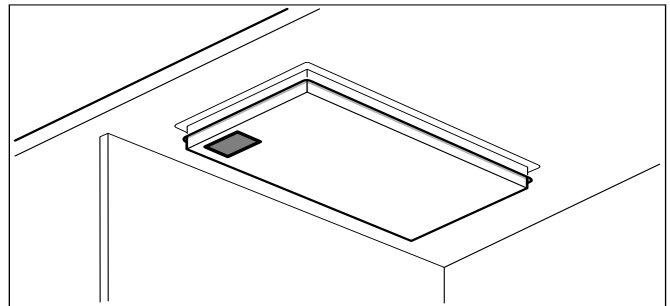
Cuando llame por teléfono, indique la referencia del producto (Nº E) y el número de fabricación (Nº FD) para que podamos ofrecerle un servicio cualificado. La placa de identificación con los números correspondientes los encontrará en la parte inferior del aparato. Para evitar tener que buscar los datos de su aparato cuando los precise, es aconsejable anotarlos aquí conjuntamente con el número de teléfono del Servicio de atención al cliente.

Nº E.

Nº FD.

Servicio de atención al cliente ☎

Tenga en cuenta que la visita del técnico del servicio de atención al cliente no es gratuito en caso de que el mal funcionamiento sea debido a un manejo incorrecto del aparato.



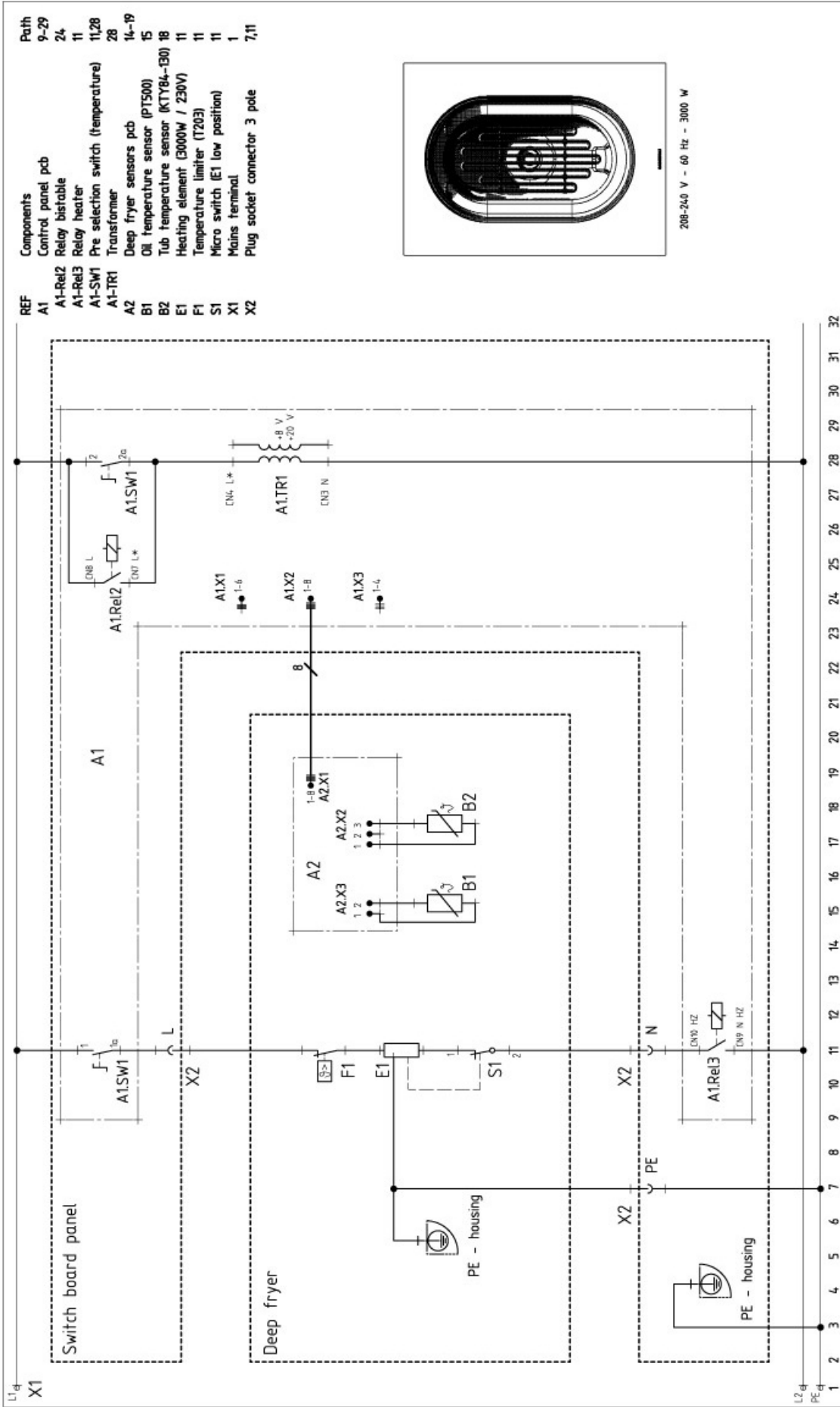
Las señas de las delegaciones internacionales figuran en la lista adjunta de centros y delegaciones del Servicio de Asistencia Técnica Oficial.

### **Solicitud de reparación y asesoramiento en caso de averías**

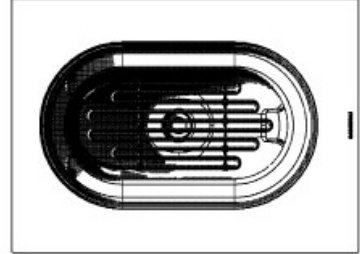
US 877 442 4436  
toll-free

Confíe en la competencia del fabricante. De esa forma se asegura de que la reparación se lleva a cabo por personal técnico debidamente instruido, equipado con las piezas originales y de repuesto necesarias para su aparato.

The reproduction, transmission or use of this document or its contents is not permitted without express written authority. Offenders will be liable for damages. All rights including rights created by patent grant or registration of a utility model or design are reserved. Copyright reserved.



REF	Components	Path
A1	Control panel pcb	9-29
A1-Rel2	Relay bistable	24
A1-Rel3	Relay heater	11
A1-SW1	Pre selection switch (temperature)	11,28
A1-TR1	Transformer	28
A2	Deep fryer sensors pcb	14-19
B1	Oil temperature sensor (PT500)	15
B2	Oil temperature sensor (KTY84-130)	18
E1	Heating element (3000W / 230V)	11
F1	Temperature limiter (T203)	11
S1	Micro switch (E1 low position)	11
X1	Mains Terminal	1
X2	Plug socket connector 3 pole	7,11



208-240 V - 60 Hz - 3000 W

Designation	Document No.	Rev	Sheet No.
EN	5080	A	1
Circuit Diagram	0001022143		of 1
VF 4,14 - 610	Material No. 9000B419L		

Released



**Gaggenau**

BSH Home Appliances Ltd.  
1901 Main Street, Suite 600  
Irvine, CA 92614  
+1.877.442.4436  
USA  
[www.gaggenau-usa.com](http://www.gaggenau-usa.com)

**Gaggenau Hausgeräte GmbH**

Carl-Wery-Straße 34  
81739 München  
GERMANY

**GAGGENAU**



9000708537 en-us, es-mx, fr-ca (931210)