



VF 414 610

Stainless steel
Width 15" (38 cm)

Included accessories

1 deep frying basket
1 stainless steel cover with hook for frying basket

Installation accessories

In combination of several Vario cooktops or VL 414 downdraft, connecting strips must be used. Choose respective VA 420 strip from one of the below, depending on type of installation.

VA 420 010

Connection strip for **surface-mount installation without appliance cover.**

VA 420 011

Connection strip for **surface-mount installation with appliance cover.**

VA 420 000

Connection strip for **flush installation without appliance cover.**

VA 420 001

Connection strip for **flush installation with appliance cover.**

VA 440 010

Stainless steel cover with mounting strip

VA 450 400

Stainless steel adjustment strip, width 15". Necessary accessory in a combination of 15" Varios with at least one appliance cover to compensate for the appliance depth.

Optional accessories**Part# 743976**

Additional deep frying basket.

Vario 400 series electric deep fryer**VF 414**

- Three-zone frying basin, without flavor transfer
- Exact temperature setting, no drop in output
- Integrated frying basket suspension
- Solid stainless steel control knobs
- Precision-crafted 1/8-inch stainless steel frame
- For surface-mount installation with a visible edge or for flush installation
- Can be perfectly combined with other Vario 400 series products

Cooking zones

Three-zone basin.
Oil quantity: 3.7 quarts (3.5 liters).

Operation

Two control knobs with illuminated ring, temperature marking and oil/fat selection.
Electronic temperature control between 275 °F and 380 °F, in 5 °F increments.

Features

Cleaning stage.
Gentle fat melting stage.
Frying zone.
Expansion zone.
Cold oil zone.
Swivel-out heating element (3,000 W).

Safety

Oil drain valve with child lock.
Safety shut-off.

Planning notes

Depending on the type of installation—surface-/ or flush-mounted, with or without cover—the specific location of the control knob positions may vary. When using the appliance cover VA 440 or adjustment strip VA 450 additional space for cut-out depth needs to be considered.

In a combination of Vario cooktops with at least one appliance cover, the adjustment strip VA 450 is required. In a combination of several Vario 400 series cooktops a connection strip must be used.

Depending on the type of installation—surface-/ or flush-mounted, with or without cover—the respective VA 420 connecting strip must be used.

For flush installation the edge height in the cut-out needs to be at least 1/2" and for surface-mount 3/8". Ensure a continuous cut surface of 90°.

The weight capacity and stability, especially in case of thin countertops, must be supported using suitable substructures. Take the appliance weight and additional loads into account.

Flush installation is possible in countertops made of stone, synthetics or solid wood. Heat resistance and watertight sealing of the edges must be observed. For other materials, please consult with your countertop manufacturer.

The groove must be continuous and even, so that uniform placing of the appliance on the gasket is ensured. Do not use discontinuous lining.

The joint width may vary due to size tolerances of the combinations and of the countertop cut-out.

If installing several Vario products in individual cut-outs allow for a minimum distance of 2" between the cooktops.

Plan a door in the base cabinet for operation of the oil drain-valve. Built-in control panel can be integrated in the bottom cabinet at drawer level. Front panel thickness 3/8" – 1". The adjacent drawing "Installation of the control knobs" must be observed if the panel is more than 1" thick (there must be a recess at the rear for proper control module installation).

VF 414 and VK 414 must not be installed directly next to each other. A minimum clearance of at least 1 9/16" from the appliance edge to the wall or to adjacent cabinets must be observed.

Appliance can be snapped into the countertop from above.

Plan a door in the base cabinet for operation of the oil drain-valve.

Please read additional planning notes on pages 82 – 87.

Rating

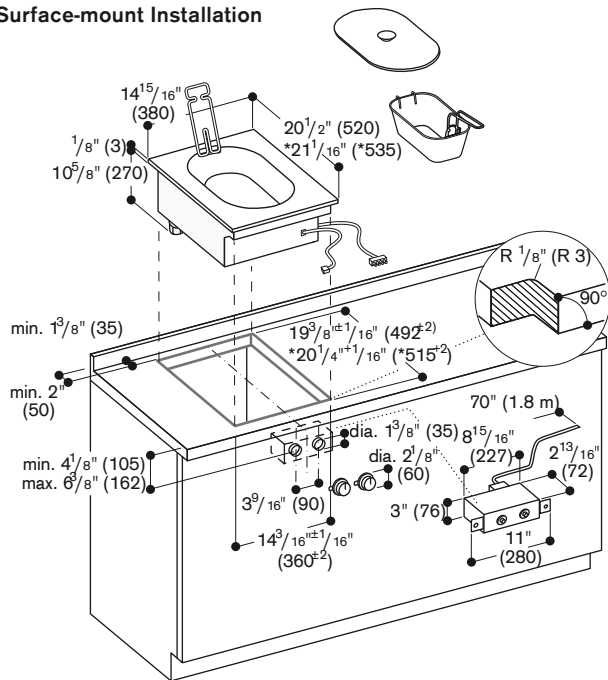
Total rating: 3.0 kW.

Total Amps: 13 A.

208/220–240 V / 60 Hz

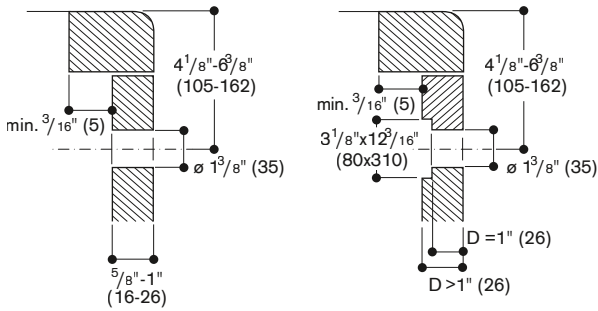
Plan for a 70" connecting cable without plug (hardwire required).

Surface-mount Installation

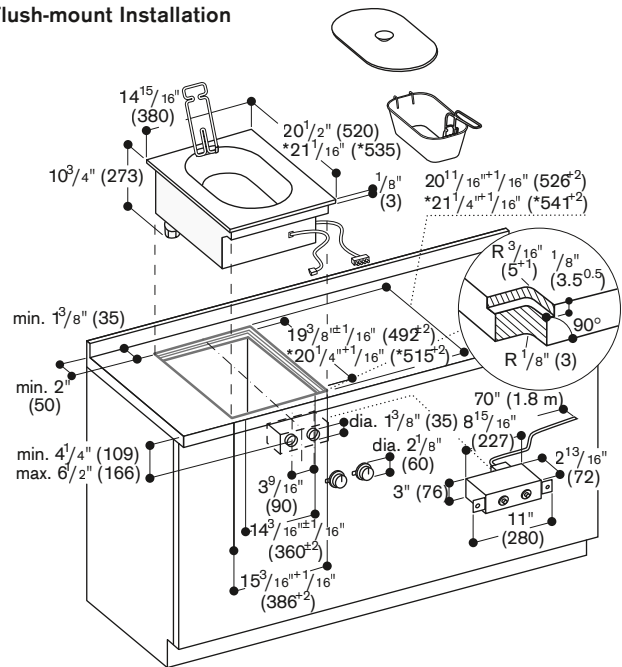


* With appliance cover or adjustment strip. See separate planning notes on page 87.

Installation of the control knob; surface-mount installation

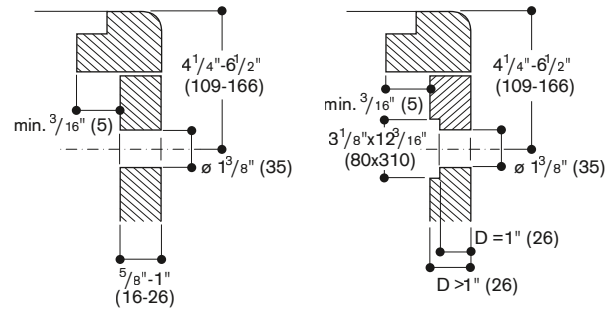


Flush-mount Installation

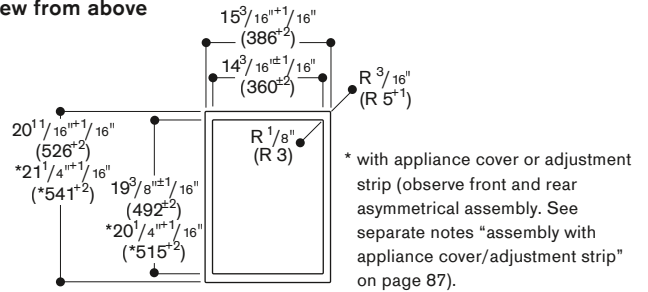


* With appliance cover or adjustment strip. See separate planning notes on page 87.

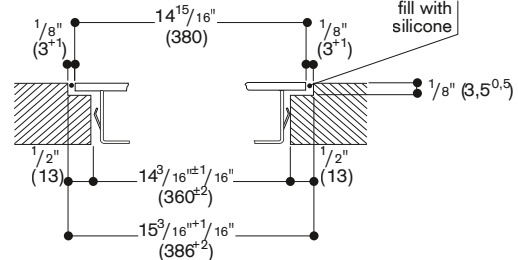
Installation of the control knob; flush-mount installation



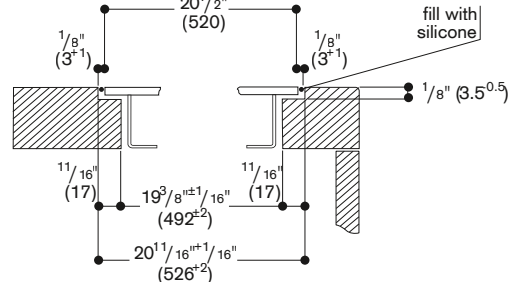
View from above



Longitudinal section



Cross-section



When installing with appliance cover or adjustment strip, pay attention to the deeper cut-out and the front and rear groove width.

Numbers indicated inside parenthesis () = mm