



**VF 230 614**

Stainless steel control panel  
Width 12" (29 cm)

**Included accessories**

- 1 deep frying basket with tilt-in handle
- 1 stainless steel cover
- 1 frying basket suspension

**Installation accessories**

**VV 200 014**  
Connecting strip for combination with other Vario cooktops

**Optional accessories**

**Part# 743976**  
Additional deep frying basket

**VD 201 014**  
Brushed stainless steel appliance cover

Vario 200 series electric deep fryer  
**VF 230**

- Special appliance for restaurant-grade capabilities in the home kitchen
- Integrated control panel for comfortable and secure operation
- Optimum ratio of volume and performance. Even non-stop deep frying without flavor transfer
- Exact temperature control. Healthy deep frying with optimum results even if food contains starch

**Cooking zones**

Three-zone frying basin:

- Expansion zone
- Frying zone
- Cold oil zone

Oil Quantity: 3.7 quarts (3.5 liters)

**Features**

Electronic short-period time up to 90 min.  
Stainless steel basin.  
Hinged heating element (2,300 W).  
Gentle fat melting stage.  
Electronic temperature control with display function between 275 °F and 380 °F, in 10 °F steps.

**Safety**

Remaining time display.  
Electronic overheating protection.  
Child lock.  
Safety lock.

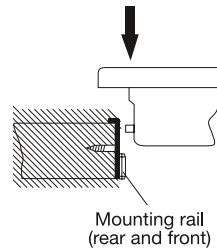
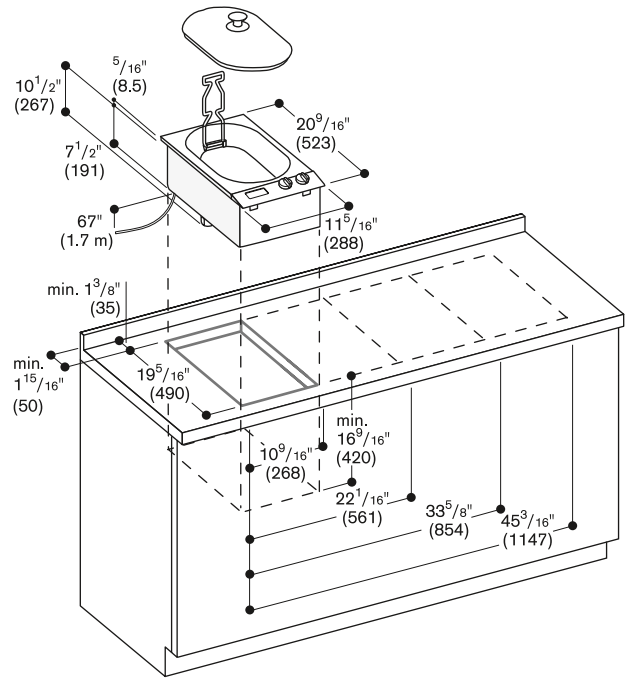
**Planning notes**

Plan a door in the base cabinet for operation of the oil drain-valve.  
Appliance clicks into place when inserted in the countertop from above.  
VF 230 and VK 230 must not be installed directly adjacently to one another.

Please read additional planning notes on page 98.

**Rating**

Total rating: 2.3 kW.  
Total Amps: 10 A.  
220–240 V / 60 Hz  
Plan for a 67" connecting cable without plug (hardware required).



Numbers indicated inside parenthesis ( ) = mm