

**Gaggenau**

Use and care manual

Notice d'utilisation

Manual de instrucciones

**VE 230 614**

**VE 260 614**

Electric Cooktop

Table de cuisson vitrocéramique

Placa de cocción eléctrica

---

<b>Use and care manual</b>	<b>3</b>
----------------------------	----------

---

---

<b>Notice d'utilisation</b>	<b>11</b>
-----------------------------	-----------

---

---

<b>Manual de instrucciones</b>	<b>21</b>
--------------------------------	-----------

---

---

## Table of Contents

---

<b>IMPORTANT SAFETY INSTRUCTIONS</b>	<b>4</b>
Fire Safety	4
Cooking Safety	4
Burn Prevention	5
Child Safety	5
Cleaning Safety	6
Cookware Safety	6
Proper Installation and Maintenance	6
State of California Proposition 65 Warnings	6
Causes of Damage	7
<b>Your new appliance</b>	<b>7</b>
Electric cooktop	7
Special accessories	7
<b>Operation</b>	<b>8</b>
Turning on	8
Turning off	8
Enlargement function	8
Residual heat display	8
<b>Settings table</b>	<b>8</b>
<b>Care and cleaning</b>	<b>9</b>
Cleaning the appliance	9
Do not use these cleaning agents	9
<b>Customer service</b>	<b>10</b>

Additional information on products, accessories, replacement parts and services can be found at [www.gaggenau.com](http://www.gaggenau.com) and in the online shop [www.gaggenau-eshop.com](http://www.gaggenau-eshop.com)



# IMPORTANT SAFETY INSTRUCTIONS

READ AND SAVE THESE INSTRUCTIONS

---

## WARNING

When properly cared for, your new appliance has been designed to be safe and reliable. Read all instructions carefully before use. These precautions will reduce the risk of burns, electric shock, fire, and injury to persons. When using kitchen appliances, basic safety precautions must be followed, including those in the following pages.

---

## Fire Safety

Do not allow aluminum foil, plastic, paper or cloth to come in contact with a hot surface element, burner or grate. Do not allow pans to boil dry.

If the cooktop is near a window, forced air vent or fan, be certain that flammable materials such as window coverings do not blow over or near the burners or elements. They could catch on fire.

Always have a working smoke detector near the kitchen.

Never leave the cooktop unattended when in use. Boilovers cause smoking and greasy spillovers may ignite.

---

## WARNING

TO REDUCE THE RISK OF A GREASE FIRE:

- a) Never leave surface units unattended at high settings. Boilovers cause smoking and greasy spillovers that may ignite. Heat oils slowly on low or medium settings.
  - b) Always turn hood ON when cooking at high heat or when flambeing food (i.e. Crepes Suzette, Cherries Jubilee, Peppercorn Beef Flambé).
  - c) Clean ventilating fans frequently. Grease should not be allowed to accumulate on fan or filter.
  - d) Use proper pan size. Always use cookware appropriate for the size of the surface element.
- 

In the event that personal clothing or hair catches fire, drop and roll immediately to extinguish flames.

Have an appropriate fire extinguisher available, nearby, highly visible and easily accessible near the appliance.

Smother flames from food fires other than grease fires with baking soda. Never use water on cooking fires.

---

## WARNING

TO REDUCE THE RISK OF INJURY TO PERSONS IN THE EVENT OF A GREASE FIRE, OBSERVE THE FOLLOWING:

- a) **SMOTHER FLAMES** with a close-fitting lid, cookie sheet, or metal tray, then turn off the burner. **BE CAREFUL TO PREVENT BURNS.** If the flames do not go out immediately, **EVACUATE AND CALL THE FIRE DEPARTMENT.**
  - b) **NEVER PICK UP A FLAMING PAN** – You may be burned.
  - c) **DO NOT USE WATER**, including wet dishcloths or towels – a violent steam explosion will result.
  - d) Use an extinguisher **ONLY** if:
    - You know you have a Class ABC extinguisher, and you already know how to operate it.
    - The fire is small and contained in the area where it started.
    - The fire department is being called.
    - You can fight the fire with your back to an exit.
- 

Whenever possible, do not operate the ventilation system during a cooktop fire. However, do not reach through fire to turn it off.

## Cooking Safety

---

## WARNING

Use this appliance only for its intended use as described in this manual. **NEVER** use this appliance as a space heater to heat or warm the room. Doing so may result in carbon monoxide poisoning and overheating the appliance. Never use the appliance for storage.

---

---

## WARNING

**NEVER** cover any slots, holes or passages in the oven bottom or cover an entire rack with materials such as aluminum foil. Doing so blocks air flow through the oven and may cause carbon monoxide poisoning. Aluminum foil linings may also trap heat, causing a fire hazard.

---



# IMPORTANT SAFETY INSTRUCTIONS

READ AND SAVE THESE INSTRUCTIONS

---

## WARNING

### Risk of fire

Overheated fat or oil is highly inflammable. Only prepare food cooked in fat or oil when cooking can be fully supervised. Under no circumstances attempt to extinguish burning fat or oil with water. Choke the fire using a lid or fire blanket.

---

---

## WARNING

### Risk of fire

Old frying oil or fat may foam over and burn easily. Replace frying oil or fat if it becomes brown, has an unpleasant smell and/or smokes prematurely.

---

---

## WARNING

### Risk of burns

Only close the appliance cover once the appliance has cooled down. Never turn on the appliance with the appliance cover closed. Don't set down food on appliance cover or use it for keeping food warm.

---

## Burn Prevention

DO NOT TOUCH SURFACE UNITS OR AREAS NEAR UNITS - Surface units may be hot even though they are dark in color. Areas near surface units may become hot enough to cause burns. During and after use, do not touch, or let clothing, potholders, or other flammable materials contact surface units or areas near units until they have had sufficient time to cool. Among these areas are the cooktop and areas facing the cooktop.

Do not heat or warm unopened food containers. Build-up of pressure may cause the container to burst and cause injury.

Always use dry potholders. Moist or damp potholders on hot surfaces may result in burns from steam. Do not let potholder touch hot heating elements. Do not use a towel or other bulky cloth.

Always turn hood ON when cooking at high heat or when flambeing food (i.e. Crêpes Suzette, Cherries Jubilee, Peppercorn Beef Flambe).

Use high heat settings on the cooktop only when necessary. To avoid bubbling and splattering, heat oil slowly on no more than a low-medium setting. Hot oil is capable of causing extreme burns and injury.

Never move a pan of hot oil, especially a deep fat fryer. Wait until it is cool.

Secure all loose garments, etc. before beginning. Tie long hair so that it does not hang loose, and do not wear loose fitting clothing or hanging garments, such as ties, scarves, jewelry, or dangling sleeves.

---

## WARNING

### Risk of burns

If the appliance cover (VD) is fitted: do not close the appliance cover until the appliance has cooled down completely. Do not operate the appliance with the cover closed. Do not use the appliance cover for placing objects or for keeping things warm.

---

## Child Safety

When children become old enough to use the appliance, it is the legal responsibility of the parents or legal guardians to ensure that they are instructed in safe practices by qualified persons.

Do not allow anyone to climb, stand, lean, sit, or hang on any part of an appliance, especially a door, warming drawer, or storage drawer. This can damage the appliance, and the unit may tip over, potentially causing severe injury.

Do not allow children to use this appliance unless closely supervised by an adult. Children and pets should not be left alone or unattended in the area where the appliance is in use. They should never be allowed to play in its vicinity, whether or not the appliance is in use.

---

## CAUTION

Items of interest to children should not be stored in an appliance, in cabinets above an appliance or on the backsplash. Children climbing on an appliance to reach items could be seriously injured.

---



# IMPORTANT SAFETY INSTRUCTIONS

READ AND SAVE THESE INSTRUCTIONS

## Cleaning Safety

Do not clean the appliance while it is still hot. Some cleaners produce noxious fumes when applied to a hot surface. Wet clothes and sponges can cause burns from steam.

Do not use steam cleaners to clean the appliance.

Do not soak removable heating elements - Heating elements should never be immersed in water.

## Cookware Safety

Hold the handle of the pan when stirring or turning food. This helps prevent spills and movement of the pan.

Use Proper Pan Size.

The use of undersized cookware will expose a portion of the heating element or burner to direct contact and may result in ignition of clothing. Select cookware having flat bottoms large enough to cover the surface heating unit. This appliance is equipped with one or more surface units of different size. Proper relationship of cookware to heating element or burner will also improve efficiency.

Cookware not approved for use with ceramic cooktops may break with sudden temperature changes. Use only pans that are appropriate for ceramic cooktops (only certain types of glass, heatproof glass, ceramic, earthenware, or other glazed utensils are suitable).

Always position handles of utensils inward so they do not extend over adjacent work areas, burners, or the edge of the cooktop. This reduces the risk of fires, spills and burns.

## Proper Installation and Maintenance

Have the installer show you the location of the circuit breaker or fuse. Mark it for easy reference.

This appliance must be properly installed and grounded by a qualified technician. Connect only to properly grounded outlet. Refer to Installation Instructions for details.

This appliance is intended for normal family household use only. It is not approved for outdoor use. See the Warranty. If you have any questions, contact the manufacturer.

Do not store or use corrosive chemicals, vapors, flammables or nonfood products in or near this appliance. It is specifically designed for use when heating or cooking food. The use of corrosive chemicals in heating or cleaning will damage the appliance and could result in injury.

Make sure reflector pans or drip bowls are in place - Absence of these bowls or pans during cooking may subject wiring or components underneath to damage.

---

### WARNING

---

Failure to operate knobs properly may result in personal injury and damage to the appliance.

---

Do not operate this appliance if it is not working properly, or if it has been damaged. Contact an authorized servicer.

Do not cook on a broken cooktop. Cleaning solutions and spillovers may create a risk of electric shock.

Do not repair or replace any part of the appliance unless specifically recommended in this manual. Refer all servicing to a factory authorized service center.

To avoid electrical shock hazard, before servicing the appliance, switch power off at the service panel and lock the panel to prevent the power from being switched on accidentally.

## State of California Proposition 65 Warnings

---

### WARNING

---

This product contains chemicals known to the State of California to cause cancer, birth defects or other reproductive harm.

---

## Causes of Damage

### Scratches on the ceramic

Rough pot and pan bases scratch the ceramic.

### Salt, sugar or sand

Salt, sugar or sand scratch the ceramic. Do not use the cooktop as a work surface or storage space.

### Overheated pots or pans

Avoid cooking on the cooktop with an empty pan.

### Hard and pointed objects

Damage can occur if hard or pointed objects fall on the cooktop.

### Food spills

Sugar or food containing sugar can damage the ceramic. Remove spills immediately with a glass scraper.

### Foil and plastic

Aluminium foil and plastic containers melt on heated hotplates. Oven protective foil is not suitable for your cooktop.

### Unsuitable cleaning agents

Iridescent discoloration on the ceramic can be caused by unsuitable cleaning agents or the bases of certain pots or pans.

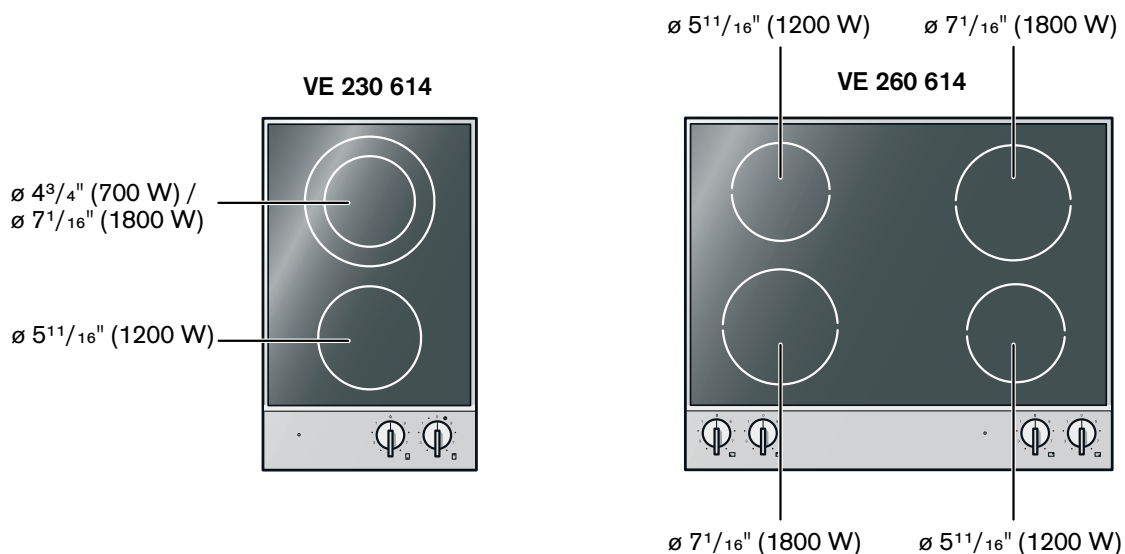
---

## Your new appliance

---

Here you will get to know your new appliance and obtain information about accessories. The instructions apply to different cooktops.

## Electric cooktop



## Special accessories

You can order the following accessories from your specialist dealer:

- VD 201 014 Appliance cover made of stainless steel (only for VE 230)
- VD 201 034 Appliance cover made of aluminum (only for VE 230)

- VV 200 014 Connection strip made of stainless steel, for combining with other Vario appliances
- VV 200 034 Connection strip made of aluminum, for combining with other Vario appliances

Use the accessories only as indicated. The manufacturer assumes no liability for incorrect usage of the accessories.

---

## Operation

---

The markings next to the knobs show you the position of the particular cooking zone and the heat levels.

### Turning on

Turn the appropriate knob left or right to the desired heat level. The warning light lights up as soon as the cooking zone is turned on.

#### Notes

- For cooking zones with an enlargement function, you can only turn the knob to the left to turn them on.
- The stove control unit turns the activated cooking zones on and off. This is normal. The cooking zones always heat at full power and are turned on and off for longer or shorter intervals, depending on the heat level they are set for.
- Even on the highest cooking level the heating elements will be switched on and off. This is normal.

### Turning off

Turn the appropriate knob to the 0 position. The residual heat display lights up as long as the cooking zone is too hot to be safely touched.

**Note:** For cooking zones with an enlargement function, you cannot turn the knob directly to the left to 0 position.

### Enlargement function

**Only for cooking zones that have an enlargement function:** The size of the cooking zone can be increased using the enlargement function.

To activate the enlargement function, turn the knob to the left past heat level 9 to the enlargement position and then back to the desired heat level.

To turn it off, turn the knob to the 0 position. When turning it back on, the enlargement function is off and must be turned back on if required.

**Note:** : The knob cannot be turned directly to the left to 0 position from the enlargement position.

### Residual heat display

For your safety, the cooktop is equipped with an individual residual heat display. It lights up as a red dot for each cooking zone.

If the residual heat display is lit up, the cooking zone is too hot to be safely touched.

---

## Settings table

---

Settings range	Cooking method	Examples
9	Parboiling	Water
	Browning	Meat
	Heating up	Fat, fluids
	Bringing to a boil	Soups, sauces
	Blanching	Vegetables
8 - 6	Frying	Meat, fish, potatoes
7 - 5	Browning	Flour, onions
	Roasting	Almonds, breadcrumbs
	Baking	Pastries, egg dishes
	Simmering in an uncovered pot	Fluids
6 - 5	Rendering	Bacon
	Reducing	Stock, sauces
5 - 4	Whipping	Creams, sauces
	Poaching in an uncovered pot	Dumplings, boiled sausages, soup vegetables, soup meat, poached eggs
5 - 3	Simmering covered with lid	Pasta, soups, sauces
	Steaming	Vegetables, potatoes, fish
	Stewing	Vegetables, fruit, fish
	Braising	Goulash, roulades, roasts, vegetables
	Thawing	Frozen foods
3 - 1	Soaking	Rice, beans, lentils, peas
	Warming up, keeping warm	Soups, stews, vegetables in sauce
	Melting	Butter, chocolate
	Letting set	Egg dishes

Switch to the highest heat level in order to reach the desired temperature quickly. Then always switch back to the desired heat level.

The setting ranges are the same for all cooking zones.

The values of the settings table only serve as guidelines, since the type and condition of the dish, as well as the size and contents of the pot may require more or less heat.



---

## Care and cleaning

---

In this chapter you will find tips and information on optimal care and cleaning of your appliance.

### Cleaning the appliance

Clean the appliance after each use once it has cooled down. Eliminate spilled liquids immediately and don't allow any food residue to burn on.

---

#### Appliance parts / Recommended cleaning surfaces

---

**Glass ceramic surface** Apply glass ceramic cleaner with a soft, damp cloth and rub it; then completely wipe it off using a damp dish-towel. Rub it dry with a soft dishtowel and polish it afterwards.

You can obtain suitable glass ceramic cleaner (order number 311298) from your specialist dealer or from our online shop.

Immediately eliminate burnt-in residue with the glass scraper (order number 087670). Position the glass scraper flat for cleaning.

---

**Control panel** Clean using a soft, damp cloth and some dish-washing soap; the cloth must not get too wet. Dry it afterwards with a soft towel.

Immediately eliminate acidic foods from the control panel (e.g. vinegar, ketchup, mustard, marinades).

In order to maintain the control panel, you can obtain suitable care oil (order number 311135) from your specialist dealer or from our online shop. Apply the care oil evenly to the control panel using a soft dishtowel.

Do not use the glass scraper or glass ceramic cleaner on the control panel.

---

**Rotating knob** Clean using a soft, damp cloth and some dish-washing soap; the cloth must not get too wet.

---

### Do not use these cleaning agents

- Caustic or corrosive cleaners
- Acidic cleaners (e.g. vinegar, citric acid, etc.)
- Cleaners containing chlorine or large proportions of alcohol
- Baking oven spray
- Hard, scratchy dish-washing sponges, brushes or scourers
- Thoroughly wash out new sponge cloths before using them.

---

## Customer service

---

If your appliance needs repairs, our customer service is there for you. We work hard to help solve problems quickly and without unnecessary service calls, getting your appliance back up and running correctly in the least amount of time possible.

When you call, please indicate the product number (E-Nr.) and serial number (FD-Nr.) so that we can support you in a qualified manner. You will find the type plate with these numbers on the bottom of the appliance. To avoid having to search for a long time when you need it, you can enter your appliance data and the customer support telephone number here.

---

**E-Nr.**

**FD-Nr.**

---

---

### Customer Service

---

Please read the use and care instructions provided with your appliance. Failure to do so may result in an error in using the appliance. This could result in a service call that instead of fixing a mechanical issue is only needed for customer education. Such calls are not covered by the appliance warranty.

---

### **WARNING**

---

#### **Risk of electric shock**

Incorrect repairs are dangerous. Repairs may only be carried out by one of our trained after-sales engineers. If the appliance is faulty, unplug the mains plug or switch off the fuse in the fuse box. Contact the after-sales service.

---

Please find the contact data of all countries in the enclosed customer service list.

#### **To book an engineer visit and product advice**

**USA**            877 442 4436  
                     toll-free

**CANADA**      800 828 9165

You can rely on the manufacturer's expertise. Rest assured that the repair will be handled by trained service technicians who have the original replacement parts for your appliance.

---

## Table des Matières

---

<b>CONSIGNES DE SÉCURITÉ IMPORTANTES</b>	<b>12</b>
Sécurité-incendie	12
Sécurité de cuisson	13
Prévention des brûlures	13
Sécurité des enfants	14
Consignes en matière de nettoyage	14
Sécurité pour la batterie de cuisine	14
Installation et entretien corrects	15
Avertissements de la Proposition 65 de l'État de la Californie	15
Causes des dommages	16
<b>Votre nouvel appareil</b>	<b>16</b>
Table de cuisson vitrocéramique	16
Accessoires spéciaux	17
<b>Fonctionnement</b>	<b>17</b>
Allumage	17
Arrêt	17
Extension	17
Indicateur de chaleur résiduelle	18
<b>Tableau de réglage</b>	<b>18</b>
<b>Entretien et nettoyage</b>	<b>19</b>
Nettoyage de l'appareil	19
N'utilisez pas ces produits nettoyants	19
<b>Service après-vente</b>	<b>20</b>

Vous trouverez des informations supplémentaires concernant les produits, accessoires, pièces de rechange et services sur Internet sous : [www.gaggenau.com](http://www.gaggenau.com) et la boutique en ligne : [www.gaggenau-eshop.com](http://www.gaggenau-eshop.com)



# CONSIGNES DE SÉCURITÉ IMPORTANTES

LIRE ET CONSERVER CES INSTRUCTIONS

---

## AVERTISSEMENT

---

Votre nouvel appareil a été conçu pour un fonctionnement sûr et fiable si vous en prenez bien soin. Lire attentivement toutes les consignes avant l'emploi. Ces précautions réduiront les risques de brûlures, de choc électrique, d'incendie et de lésions corporelles. Lors de l'utilisation d'un appareil électroménager, quelques précautions de sécurité élémentaires doivent être observées, y compris celles qui figurent aux pages suivantes.

---

## Sécurité-incendie

Ne laissez pas le papier d'aluminium, le plastique, le papier ou les tissus entrer en contact avec un élément de surface, une grille ou un brûleur chaud. Ne laissez pas les casseroles chauffer à sec.

Si la table de cuisson est près d'une fenêtre, d'un évent à air forcé ou d'un ventilateur, s'assurer que les matériaux inflammables tels les tentures/rideaux ne flottent pas au-dessus ou près des brûleurs ou éléments. Ils risqueraient de s'enflammer.

Toujours avoir un détecteur de fumée en état de marche près de la cuisine.

Ne laissez jamais la table de cuisson sans surveillance lorsqu'elle est en utilisation. Des débordements causant de la fumée et des déversements graisseux peuvent prendre feu.

---

## AVERTISSEMENT

---

POUR RÉDUIRE LES RISQUES DE FEUX DE GRAISSE :

- a) Ne jamais faire fonctionner les unités de surface à des températures élevées sans surveillance. Des débordements causant de la fumée et des déversements graisseux peuvent prendre feu. Chauffer l'huile lentement à réglage faible ou moyen.
  - b) Mettre toujours la hotte EN MARCHE pendant la cuisson à température élevée et au moment de flamber des aliments (p.ex., crêpes Suzette, cerises jubilee, steak au poivre flambé).
  - c) Nettoyer souvent les ventilateurs d'aération. Il ne faut pas que la graisse s'accumule sur le ventilateur ou sur le filtre.
  - d) Utiliser des casseroles de taille adéquate. Utiliser toujours des casseroles dont les dimensions conviennent à la taille de l'élément.
- 

Si des vêtements s'enflamment, rouler par terre immédiatement pour éteindre les flammes.

Veillez à avoir à portée de main un extincteur d'incendie en bon état de marche, placé visiblement près de l'appareil et facile d'accès.

Étouffez les flammes d'un feu d'aliments autre qu'un feu de graisse à l'aide de bicarbonate de soude. Ne jamais utiliser d'eau sur les feux de cuisson.



# CONSIGNES DE SÉCURITÉ IMPORTANTES

LIRE ET CONSERVER CES INSTRUCTIONS

---

## AVERTISSEMENT

POUR RÉDUIRE LE RISQUE DE LÉSIONS CORPORELLES DANS L'ÉVENTUALITÉ D'UN FEU DE GRAISSE, OBSERVER LES CONSIGNES SUIVANTES :

- a) **ÉTOUFFER LES FLAMMES** à l'aide d'un couvercle bien hermétique, d'une tôle à biscuits ou d'un plateau en métal, puis éteindre l'appareil. **FAIRE ATTENTION À NE PAS SE BRÛLER.** Si les flammes ne s'éteignent pas immédiatement, **ÉVACUER LES LIEUX ET FAIRE APPEL AU SERVICE D'INCENDIE.**
- b) **NE JAMAIS SAISIR UN RÉCIPIENT QUI BRÛLE.** Vous pourriez vous brûler.
- c) **NE PAS UTILISER D'EAU,** y compris les chiffons ou serviettes mouillées. Une violente explosion de vapeur risque de se produire.
- d) Utiliser un extincteur uniquement si :
  - Vous savez que vous possédez un extincteur de **CLASSE ABC**, et vous en connaissez déjà le maniement.
  - L'incendie est de petite ampleur et contenu dans la zone où il s'est déclaré.
  - Le service d'incendie est appelé.
  - On peut combattre l'incendie le dos tourné vers la sortie.

---

Dans la mesure du possible, ne pas faire fonctionner le système de ventilation lorsqu'un feu se déclenche sur une table de cuisson. Toutefois, ne pas passer la main à travers le feu pour mettre le système de ventilation hors tension.

## Sécurité de cuisson

---

### AVERTISSEMENT

Utiliser cet appareil uniquement pour l'usage auquel il est destiné comme l'indique ce manuel. **NE JAMAIS** utiliser cet appareil comme un radiateur électrique portatif pour chauffer ou réchauffer une pièce. Ceci pourrait entraîner une intoxication par l'oxyde de carbone et provoquer une surchauffe de l'appareil. L'appareil ne doit jamais servir à entreposer quoi que ce soit.

---

---

## AVERTISSEMENT

Ne **JAMAIS** couvrir les encoches, orifices ou passages pratiqués au fond du four et ne jamais recouvrir complètement la grille avec des matériaux tels que le papier d'aluminium. Ceci aurait pour effet de bloquer la circulation de l'air à l'intérieur du four et pourrait entraîner une intoxication par l'oxyde de carbone. Les feuilles d'aluminium peuvent également emprisonner la chaleur et présenter ainsi un risque d'incendie.

---

---

## AVERTISSEMENT

### Risque d'incendie

La graisse ou l'huile surchauffée est facilement inflammable. Préparer des aliments dans de la graisse ou de l'huile uniquement en les surveillant en permanence. Ne jamais verser d'eau sur de l'huile ou de la graisse enflammée pour l'éteindre. Etouffer le feu en mettant un couvercle ou une couverture pare-feu.

---

---

## AVERTISSEMENT

### Risque d'incendie

Les huiles ou graisses usées tendent à mousser de manière excessive et leur température d'inflammation s'abaisse. Remplacez les huiles ou graisses usées ou encrassées, lorsqu'elles deviennent marron, qu'elles produisent une odeur désagréable ou qu'elles dégagent rapidement de la fumée.

---

---

## AVERTISSEMENT

### Risque de brûlure

Ne fermez pas le couvercle avant le refroidissement de l'appareil. N'allumez jamais l'appareil lorsque le couvercle est fermé. N'utilisez pas le couvercle pour maintenir au chaud ou déposer des objets.

---

## Prévention des brûlures

**NE PAS TOUCHER AUX ÉLÉMENTS DE SURFACE NI AUX ZONES PRÈS DES ÉLÉMENTS.** Les unités de surface peuvent être chaudes même lorsqu'elles sont de couleur foncée. Les zones près des unités de surface peuvent devenir suffisamment chaudes pour causer des brûlures. Pendant et après l'utilisation, ne



# CONSIGNES DE SÉCURITÉ IMPORTANTES

LIRE ET CONSERVER CES INSTRUCTIONS

pas toucher, ni laisser vêtements, poignées isolantes ou autres matériaux inflammables entrer en contact avec les éléments de surface ni aux zones près des éléments tant qu'ils n'ont pas refroidi. Citons notamment la table de cuisson et les surfaces situées près de celle-ci.

Ne pas chauffer ou réchauffer des contenants d'aliments non ouverts. L'accumulation de pression peut faire exploser le contenant et provoquer des blessures.

Toujours utiliser des poignées isolantes sèches. Des poignées mouillées ou humides entrant en contact avec les surfaces chaudes peuvent provoquer des blessures par dégagement de vapeur. Ne laissez pas les poignées toucher les éléments chauffants chauds. Ne pas utiliser de serviette ni de chiffon volumineux.

Mettre toujours la hotte EN MARCHÉ pendant la cuisson à température élevée et au moment de flamber des aliments (p.ex., crêpes Suzette, cerises jubilé, steak au poivre flambé).

Utiliser les réglages élevés seulement lorsque nécessaire. Pour éviter bulles et éclaboussures, chauffer l'huile lentement à réglage faible ou moyen. L'huile chaude peut causer des brûlures et blessures extrêmement graves.

Ne déplacez jamais une poêle contenant de l'huile chaude, en particulier une bassine à friture. Attendez qu'elle se soit refroidie.

Attacher les vêtements lâches, etc. avant de commencer. Attacher les cheveux longs de façon à ce qu'ils ne pendent pas et ne pas porter de vêtements lâches ou d'habits ou objets qui pendillent, tels que cravates, foulards, bijoux ou manches.

---

## AVERTISSEMENT

### Risque de brûlure

Seulement si le couvercle (VD) est monté : ne fermez pas couvercle avant le refroidissement de l'appareil. N'allumez jamais l'appareil lorsque le couvercle est fermé. N'utilisez pas le couvercle pour maintenir au chaud ou déposer des objets.

---

## Sécurité des enfants

Lorsque les enfants sont assez âgés pour utiliser l'appareil, il incombe aux parents ou tuteurs légaux de veiller à ce qu'ils soient formés aux pratiques sécuritaires par des personnes qualifiées.

Ne permettre à personne de grimper, rester debout, s'appuyer, s'asseoir ou se pencher sur toute partie d'un appareil, notamment une porte, un tiroir-réchaud ou un tiroir de rangement. Ceci peut endommager l'appareil qui risque de basculer et causer des blessures sérieuses.

Ne pas permettre aux enfants d'utiliser cet appareil sauf sous la surveillance attentive d'un adulte. Ne pas laisser les enfants et les animaux seuls ou sans surveillance lorsque l'appareil est en service. Ne jamais les laisser jouer aux alentours de l'appareil, que ce dernier soit en service ou non.

---

## ATTENTION

Les articles d'intérêt pour les enfants ne doivent pas être rangés dans un appareil électroménager, dans les armoires au-dessus de l'appareil ou sur le dossier. Les enfants peuvent grimper sur l'appareil pour atteindre ces objets et se blesser sérieusement.

---

## Consignes en matière de nettoyage

Ne nettoyez pas l'appareil pendant qu'il est encore chaud. Certains produits nettoyants produisent des vapeurs nocives lorsqu'ils sont appliqués sur une surface chaude. Chiffons ou éponges humides peuvent causer des brûlures par dégagement de vapeur.

Ne pas utiliser de nettoyeur à vapeur pour nettoyer l'appareil.

Ne pas faire tremper les éléments chauffants amovibles - Les éléments chauffants ne doivent jamais être plongés dans de l'eau.

## Sécurité pour la batterie de cuisine

Tenir la poignée de la casserole en brassant ou tournant les aliments. Ceci l'empêche de bouger et évite les déversements.

Utiliser des casseroles de taille adéquate. L'utilisation de casseroles trop petites aura pour effet



# CONSIGNES DE SÉCURITÉ IMPORTANTES

LIRE ET CONSERVER CES INSTRUCTIONS

d'exposer une partie de l'élément chauffant ou du brûleur pouvant présenter un risque de contact direct et d'incendie de vêtements. Sélectionner des ustensiles à fond plat, suffisamment larges pour couvrir l'élément chauffant. Cet appareil est doté de surfaces de différents formats. Un bon rapport ustensile/élément chauffant ou brûleur permet également d'améliorer le fonctionnement de l'appareil.

Les ustensiles de cuisson non approuvés pour l'utilisation avec les tables de cuisson en céramique peuvent se briser lors d'un changement soudain de température. Utiliser uniquement des casseroles qui sont approuvés pour l'utilisation avec les tables de cuisson en céramique (seuls certains types de verre, la céramique vitriée à l'épreuve de la chaleur et la faïence peuvent être utilisés).

Tourner toujours les poignées an qu'elles ne passent pas au-dessus des zones adjacentes de cuisson ou du bord de l'appareil. Ceci aide à diminuer le risque d'ignition de matériaux inflammables, de déversements et de brûlures.

## Installation et entretien corrects

Demandez à l'installateur de vous montrer où se trouve le disjoncteur ou le fusible. Identifier sa position pour pouvoir le retrouver facilement.

Cet appareil doit être adéquatement installé et mis à la terre par un technicien agréé. Branchez l'appareil uniquement dans une prise correctement reliée à la terre. Pour plus de détails, reportez-vous à la notice d'installation.

Cet appareil est destiné uniquement à une utilisation domestique normale. Il n'est pas homologué pour un usage en extérieur. Voyez la garantie. Si vous avez des questions, communiquez avec le fabricant.

Ne pas entreposer ni utiliser de produits chimiques corrosifs, vapeurs, substances inflammables ou produits non alimentaires à l'intérieur ou à proximité de l'appareil. Il a été spécialement conçu pour être utilisé pendant le chauffage et la cuisson des aliments. L'emploi de produits chimiques corrosifs pour chauffer ou nettoyer l'appareil endommagera ce dernier et peut provoquer des blessures.

S'assurer que les cuvettes de propreté ou cuvettes ramasse-gouttes sont bien en place - L'absence de ces cuvettes pendant la cuisson risque d'abîmer le câblage ou les composants inférieurs.

---

## AVERTISSEMENT

---

Le non respect du mode de fonctionnement des boutons peut entraîner des lésions corporelles ou des dommages à l'appareil.

---

Ne pas se servir de cet appareil s'il ne fonctionne pas correctement ou s'il est endommagé. Communiquer avec un réparateur autorisé.

Ne cuisinez pas sur une table de cuisson brisée. Les solutions de nettoyage et les déversements peuvent créer des risques de choc électrique.

Ne pas réparer ni remplacer toute pièce de l'appareil à moins que cela ne soit spécifiquement recommandé par ce manuel. Toute réparation doit être effectuée par un centre de réparation autorisé par l'usine.

Pour éviter les risques d'électrocution, avant de réparer l'appareil, mettre l'alimentation hors circuit au niveau du panneau de service et le verrouiller pour éviter toute mise en circuit accidentelle.

## Avertissements de la Proposition 65 de l'État de la Californie

---

### AVERTISSEMENT

---

Ce produit contient des produits chimiques connus de l'État de la Californie pour causer le cancer, des anomalies congénitales ou d'autres problèmes de reproduction.

---

## Causes des dommages

### Rayures sur la surface en vitrocéramique

Les fonds rugueux des récipients de cuisson peuvent rayer la vitrocéramique.

### Sel, sucre et sable

Le sel, le sucre et les grains de sable rayent la vitrocéramique. N'utilisez jamais la table de cuisson comme dessert ou plan de travail.

### Surchauffe des récipients de cuisson

Évitez de faire chauffer des casseroles vides.

### Objets durs et pointus

La chute d'objets durs et pointus sur la table de cuisson peut endommager cette dernière.

### Aliments ayant débordé

Le sucre et les produits sucrés peuvent endommager la table de cuisson. Retirer ces produits sans attendre, avec un grattoir à verre.

### Feuilles et matières plastiques

Sur les foyers très chauds, les feuilles d'aluminium et la vaisselle en plastique fondent. Les feuilles de protection pour cuisinières ne sont pas adaptées à votre table de cuisson.

### Produits de nettoyage non-conformes

Les décolorations à reflets métalliques visibles sur la vitrocéramique sont provoquées par l'utilisation de produits de nettoyage inadaptés et par le frottement des récipients de cuisson.

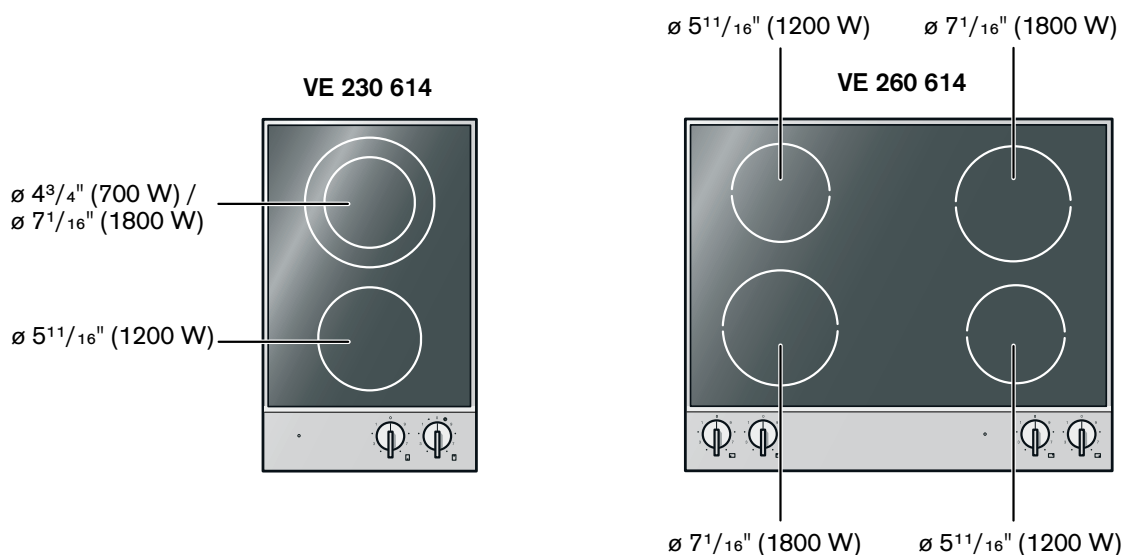
---

## Votre nouvel appareil

---

Faites connaissance avec votre nouvel appareil et ses accessoires. Cette notice d'utilisation s'applique aux différentes tables de cuisson.

## Table de cuisson vitrocéramique





## Accessoires spéciaux

Vous pouvez commander les accessoires suivants auprès de votre distributeur :

- VD 201 014 Couvercle en inox (pour VE 230 seulement)
- VD 201 034 Couvercle en aluminium (pour VE 230 seulement)
- VV 200 014 Baguette de jonction en inox, pour associer plusieurs appareils Vario
- VV 200 034 Baguette de jonction en aluminium, pour associer plusieurs appareils Vario

Utilisez l'accessoire seulement de la manière indiquée. Le fabricant n'est pas responsable de l'utilisation non conforme des accessoires.

---

## Fonctionnement

---

Les marques visibles près des manettes vous indiquent la position de chaque foyer et les niveaux de cuisson.

### Allumage

Tournez la manette de commande vers la gauche ou la droite, jusqu'au niveau de cuisson souhaité. Le voyant s'allume dès qu'un foyer est en service.

#### Remarques

- Pour allumer les foyers à extension, vous ne pouvez tourner la manette que vers la gauche.
- Le système de commande de la table de cuisson gère le fonctionnement des foyers en les allumant et les éteignant successivement. Cela est normal. Les foyers chauffent toujours à la puissance maximale et, selon le niveau choisi, ils s'éteignent et se rallument à des cadences variables.
- Même au niveau de cuisson le plus élevé, les foyers s'allument et s'éteignent alternativement. Cela est normal.

### Arrêt

Tournez la manette en position 0. L'indicateur de chaleur résiduelle s'allume tant que le foyer concerné est trop chaud pour pouvoir être touché sans danger.

**Remarque :** Pour les foyers à extension, vous ne pouvez pas ramener la manette directement à la position 0 en partant de la position d'activation de l'extension et en tournant vers la gauche.

### Extension

**Seulement pour les foyers ayant une possibilité d'extension :** la fonction extension permet d'augmenter la taille du foyer.

Pour activer l'extension, tournez la manette vers la gauche au-delà de la position 9, jusqu'à la position extension, puis ramenez-la sur le niveau de cuisson voulu.

Pour éteindre, tournez la manette en position 0. Lors de l'utilisation suivante du foyer, la fonction extension ne sera pas activée et il vous faudra donc la réactiver si vous en avez besoin.

**Remarque :** Il n'est pas possible de ramener directement la manette de la position extension à la position 0 en tournant vers la gauche.

## Indicateur de chaleur résiduelle

Pour votre sécurité, la table de cuisson est dotée d'un indicateur de chaleur résiduelle. Il s'agit d'un point rouge qui s'allume pour chaque foyer.

Lorsque l'indicateur de chaleur résiduelle est allumé, cela signifie que le foyer concerné est trop chaud pour pouvoir être touché sans danger.

## Tableau de réglage

<b>Gamme de réglage</b>	<b>Méthodes de cuisson</b>	<b>Exemples</b>
9	Faire cuire à demi	Eau
	Faire revenir	Viandes
	Chauffer	Graisse, liquides
	Porter à ébullition	Soupes, sauces
	Blanchir	Légumes
8 - 6	Rôtir	Viande, poisson, pommes de terre
7 - 5	Brunir	Farine, oignons
	Griller	Amandes, panure
	Cuire	Pâtisseries, plats aux œufs
	Faire mijoter dans récipient ouvert	Liquides
6 - 5	Faire fondre	Lard
	Réduire	Fonds, sauces
5 - 4	Battre	Crèmes, sauces
	Faire cuire dans récipient ouvert	Boulettes, saucisses à l'eau, garnitures de soupe, viandes de pot-au-feu, œufs pochés
5 - 3	Poursuivre la cuisson avec couvercle	Pâtes, soupes, sauces
	Cuire à la vapeur	Légumes, pommes de terre, poisson
	Cuire à l'étuvée	Légumes, fruits, poisson
	Mijoter	Goulasch, paupiettes, rôtis, légumes
	Décongeler	Surgelés
3 - 1	Faire gonfler	Riz, légumes secs
	Réchauffer, maintenir au chaud	Soupes, potées, légumes en sauce
	Faire fondre	Beurre, chocolat
	Faire prendre	Plats à base d'œufs

Choisissez le niveau de cuisson maximal pour atteindre rapidement la température souhaitée. Ensuite, revenez toujours au niveau voulu.

Les gammes de réglage sont identiques pour tous les foyers.

Les valeurs figurant dans ce tableau sont données à titre indicatif, et peuvent varier plus ou moins suivant la nature des mets, leur état ainsi que la taille et le degré de remplissage du récipient de cuisson.

---

## Entretien et nettoyage

---

Dans ce chapitre, vous trouverez des conseils et astuces pour bien entretenir et nettoyer votre appareil.

### Nettoyage de l'appareil

Nettoyez l'appareil après chaque utilisation, une fois qu'il a refroidi. Éliminez sans attendre les liquides qui ont débordé, ne laissez pas brûler les résidus alimentaires.

---

Partie de l'appareil/surface	Nettoyage recommandé
Surface en vitrocéramique	<p>Appliquez le nettoyant à vitrocéramique sur un chiffon humide et doux et passer le chiffon sur la table ; essuyez ensuite toute la table avec un chiffon humide. Séchez et polissez avec un chiffon doux.</p> <p>Vous pouvez vous procurer un nettoyant adapté (référence 311298) auprès de votre distributeur ou en passant par notre boutique en ligne.</p> <p>Éliminez les salissures brûlées sans attendre avec le grattoir à verre (référence 087670). Pour nettoyer, posez le grattoir à plat sur la surface.</p>
Bandeau de commande	<p>Nettoyez avec un chiffon doux et humide et un peu de produit à vaisselle ; il ne faut pas que le chiffon soit trop humide. Séchez avec un chiffon doux.</p> <p>Éliminez tout de suite les aliments acides qui ont pu être projetés ou renversés sur le bandeau de commande (exemple : vinaigre, ketchup, moutarde, marinades).</p> <p>Pour entretenir le bandeau de commande, vous pouvez vous procurer une huile spéciale (référence de commande 311135) auprès de votre distributeur spécialisé ou en passant par notre boutique en ligne. Après le nettoyage, appliquez cette huile d'entretien de manière uniforme sur le bandeau de commande au moyen d'un chiffon doux.</p> <p>Pour nettoyer le bandeau de commande, n'utilisez ni le grattoir ni le nettoyant à vitrocéramique.</p>
Manettes de commande	<p>Nettoyer avec un chiffon doux et humide et un peu de produit à vaisselle ; il ne faut pas que le chiffon soit trop humide.</p>

---

### N'utilisez pas ces produits nettoyants

- Produits abrasifs ou agressifs
- Nettoyants contenant de l'acide (vinaigre, acide citrique, etc.)
- Nettoyants chlorés ou alcoolisés
- Produit pour four en bombe aérosol
- Éponges à vaisselle dures, abrasives, brosses ou tampons à récurer
- Rincez soigneusement les éponges et lavettes neuves avant de les utiliser.

---

## Service après-vente

---

Si votre appareil doit être réparé, notre service après-vente est à votre disposition. Nous trouvons toujours une solution adaptée, y compris pour éviter les visites inutiles de techniciens.


Lors de votre appel, indiquez le numéro du produit (n° E) et le numéro de série (n° FD) afin que nous puissions vous donner une réponse précise. La plaquette d'identification comportant ces numéros se trouve sur le dessous de l'appareil. Pour ne pas avoir à chercher longtemps en cas de besoin, vous pouvez inscrire ici les références de l'appareil et le numéro de téléphone du service après-vente.

---

N° E

N° FD

---

Service après-vente 

---

N'oubliez pas qu'en cas de fausse manœuvre, la visite d'un technicien d'après-vente n'est pas gratuite, même pendant la garantie.



### AVERTISSEMENT

---

#### Risque de choc électrique

Les réparations non-conformes sont source de danger. Les réparations doivent être faites exclusivement par un technicien après-vente formé par nos soins. Si l'appareil est défectueux, débranchez la fiche d'alimentation secteur ou désactivez le coupe-circuit concerné sur le tableau électrique. Appelez le service après-vente.

---

Vous trouverez les données de contact pour tous les pays dans l'annuaire ci-joint du service après-vente.

#### **Demande de réparation et conseils en cas de dysfonctionnement**

CA 800 828 9165

Faites confiance à la compétence du fabricant. Ainsi vous êtes assurés que la réparation sera effectuée par des techniciens formés qui possèdent les pièces de rechange d'origine pour votre appareil.

---

## Contenido

---

---

### **INSTRUCCIONES DE SEGURIDAD IMPORTANTES 22**

---

Seguridad para evitar incendios	22
Seguridad al cocinar	23
Prevención de quemaduras	23
Seguridad de los niños	24
Seguridad en la limpieza	24
Seguridad en los utensilios de cocina	24
Instalación y mantenimiento adecuados	25
Advertencias en virtud de la Proposición 65 del estado de California	25
Causas para los daños	26

---

### **Su aparato nuevo 26**

---

Placa de cocción de vitrocerámica	26
Accesorios especiales	26

---

### **Mando 27**

---

Conectar	27
Apagar	27
Activación adicional	27
Indicación del calor remanente	27

---

### **Tabla de ajuste 27**

---

---

### **Cuidado y limpieza 28**

---

Limpiar el aparato	28
No use los medios de limpieza siguientes	29

---

### **Servicio de atención al cliente 29**

---

Encontrará más información sobre productos, accesorios, piezas de repuesto y servicios en internet: [www.gaggenau.com](http://www.gaggenau.com) y también en la tienda online: [www.gaggenau-eshop.com](http://www.gaggenau-eshop.com)



# INSTRUCCIONES DE SEGURIDAD IMPORTANTES

## LEA Y CONSERVE ESTAS INSTRUCCIONES

---

### AVISO

---

Su nuevo electrodoméstico ha sido diseñado para ser seguro y confiable si recibe el cuidado adecuado. Lea atentamente todas las instrucciones antes de usarlo. Estas precauciones reducirán el riesgo de quemaduras, descarga eléctrica, incendio y lesiones a personas. Al utilizar electrodomésticos de cocina, se deben tomar precauciones de seguridad básicas, incluidas las que se encuentran en las páginas siguientes.

---

### Seguridad para evitar incendios

No deje que papel de aluminio, plástico, papel ni tela entren en contacto con un elemento de la superficie, una hornilla o una rejilla calientes. No deje ollas hirviendo sin líquido.

Si la placa está cerca de una ventana, una ventilación o un ventilador de aire forzado, asegúrese de que los materiales inflamables, como los elementos utilizados para cubrir una ventana, no se aproximen a las hornillas o a los elementos ni se extiendan sobre estos. Podrían prenderse fuego.

Siempre tenga un detector de humo en funcionamiento cerca de la cocina.

Nunca deje la placa sin vigilancia cuando esté en uso. Los derrames por hervor causan humo y las salpicaduras grasosas pueden prenderse fuego.

---

### AVISO

---

#### PARA REDUCIR EL RIESGO DE INCENDIO OCASIONADO POR GRASA:

- a) Nunca deje las unidades de la superficie sin vigilancia a valores altos. Los derrames por hervor causan humo y salpicaduras grasosas que pueden prenderse fuego. Caliente los aceites despacio, a valores bajos o medianos.
  - b) Siempre encienda la campana al cocinar a un valor de calor alto o al flambear alimentos (p. ej., Crepas Suzette, cerezas Jubilee, carne flambeada con granos de pimienta).
  - c) Limpie los ventiladores extractores con frecuencia. No se debe permitir la acumulación de grasa en los ventiladores ni en los filtros.
  - d) Use el tamaño adecuado de olla. Siempre use utensilios de cocina apropiados para el tamaño del elemento de la superficie.
- 

En el caso de que su ropa se prenda fuego, arrójese al piso y ruede de inmediato para extinguir las llamas.

Tenga un extinguidor de incendio disponible, cerca, en un área fácilmente visible y accesible, cerca del electrodoméstico.

Sofoque las llamas provocadas por alimentos que se prenden fuego, que no sean incendios ocasionados por grasa, con bicarbonato de sodio. Nunca use agua en incendios ocasionados al cocinar.



# INSTRUCCIONES DE SEGURIDAD IMPORTANTES

## LEA Y CONSERVE ESTAS INSTRUCCIONES

---

### AVISO

PARA REDUCIR EL RIESGO DE LESIONES A PERSONAS EN CASO DE INCENDIO OCASIONADO POR GRASA, SIGA ESTAS INDICACIONES:

- a) SOFOQUE LAS LLAMAS con una tapa que ajuste correctamente, una placa para galletas u otra bandeja de metal, luego, apague el electrodoméstico. ASEGÚRESE DE PREVENIR LAS QUEMADURAS. Si las llamas no se apagan de inmediato, EVACUE EL ÁREA Y LLAME AL DEPARTAMENTO DE BOMBEROS.
- b) NUNCA LEVANTE UNA OLLA EN LLAMAS. Puede quemarse.
- c) NO USE AGUA, ni repasadores o toallas húmedos. Puede ocasionar una violenta explosión por vapor.
- d) Use un extinguidor sólo si:
  - Sabe que tiene un extinguidor CLASE ABC y ya sabe cómo usarlo.
  - El incendio es pequeño y se limita al área donde se originó.
  - Alguien llamó al departamento de bomberos.
  - Puede combatir el incendio de espaldas a una salida.

---

Si es posible, no ponga el sistema de ventilación en funcionamiento si hay un incendio en la placa. Pero no atraviese el fuego con la mano para apagarla.

## Seguridad al cocinar

---

### AVISO

Utilice este electrodoméstico sólo para su uso previsto, según se describe en este manual. NUNCA utilice este electrodoméstico como calentador de ambiente para calentar o calefaccionar la habitación. Hacerlo puede ocasionar intoxicación por monóxido de carbono y calentamiento excesivo del electrodoméstico. Nunca utilice el electrodoméstico para almacenar objetos.

---

---

### AVISO

NUNCA cubra ranuras, orificios ni conductos en la parte inferior del horno ni cubra toda una rejilla con materiales como papel de aluminio. Al hacerlo, se bloquea el flujo de aire a través del horno y esto podría causar intoxicación por monóxido de carbono. Los revestimientos de papel de aluminio también pueden atrapar el calor y causar un peligro de incendio.

---

---

### AVISO

#### Peligro de incendio

La grasa o aceite a temperatura excesiva arden fácilmente. Para preparar platos con grasa o aceite no dejar el aparato desatendido. En caso de que el aceite o la grasa se inflamen, no apagar con agua. Sofocar el fuego con una tapa o manta para incendios.

---

---

### AVISO

#### Peligro de incendio

El aceite de freír o grasa antigua tiende a la saponificación excesiva y dispone de una temperatura de ignición reducida. Cambiar el aceite o bien la grasa de freír si tiene un aspecto marrón, huele de modo desagradable y/o produce humo prematuramente.

---

---

### AVISO

#### Peligro de quemaduras

No cierre la cubierta del aparato hasta que este se haya enfriado. No ponga nunca el aparato en marcha con la cubierta cerrada. No utilice la cubierta del aparato como superficie para depositar enseres o como superficie de mantenimiento de calor.

---

## Prevención de quemaduras

NO TOQUE LAS UNIDADES DE LAS SUPERFICIES NI LAS ÁREAS CERCANAS A LAS UNIDADES. Las unidades de la superficie pueden estar calientes, aunque su color sea oscuro. Las áreas cercanas a las unidades de la superficie pueden calentarse lo suficiente como para ocasionar quemaduras. Durante el uso y con posterioridad, no toque las unidades de



# INSTRUCCIONES DE SEGURIDAD IMPORTANTES

## LEA Y CONSERVE ESTAS INSTRUCCIONES

la superficie o áreas cercanas a las unidades, ni deje que su ropa, agarradores ni otros materiales inflamables entren en contacto con estos hasta que haya transcurrido el tiempo suficiente para que se enfrien. Entre estas áreas, se encuentran la placa y las áreas que miran hacia la placa.

No caliente recipientes de alimentos sin abrir. La acumulación de presión puede hacer explotar el recipiente y causar lesiones.

Siempre use agarradores secos. Los agarradores húmedos o mojados sobre las superficies calientes pueden ocasionar quemaduras por vapor. No deje que los agarradores toquen los elementos de calentamiento que estén calientes. No use toallas ni otros paños gruesos.

Siempre encienda la campana al cocinar a un valor de calor alto o al flambear alimentos (p. ej., Crepas Suzette, cerezas Jubilee, carne flambeada con granos de pimienta).

Use valores de calor altos en la placa sólo cuando sea necesario. Para evitar burbujas y salpicaduras, caliente el aceite despacio, a un valor bajo-mediano, como máximo. El aceite caliente puede provocar quemaduras y lesiones de extrema gravedad.

Nunca mueva un recipiente con aceite caliente, especialmente una freidora. Espere hasta que se haya enfriado.

Sujétese todas las prendas, etc. antes de comenzar. Sujétese el cabello largo de manera que no quede suelto, y no use prendas holgadas o sueltas, como corbatas, bufandas, joyas o mangas amplias.

---

### AVISO

#### **Peligro de quemaduras**

Solo con la cubierta del aparato montada (VD): No cierre la cubierta del aparato hasta que este se haya enfriado. No ponga nunca el aparato en marcha con la cubierta cerrada. No utilice la cubierta del aparato como superficie para depositar enseres o como superficie de mantenimiento de calor.

---

### Seguridad de los niños

Cuando los niños tienen la edad adecuada para utilizar el electrodoméstico, es responsabilidad legal de los padres o tutores legales asegurarse de que

reciban las instrucciones sobre prácticas seguras por parte de personas calificadas.

No deje que nadie se suba, pare, incline, siente o cuelgue de cualquier parte de un electrodoméstico, especialmente una puerta, cajón calentador o cajón para almacenamiento. Esto puede dañar el electrodoméstico, y la unidad puede caerse y, posiblemente, causar lesiones graves.

No permita que niños utilicen este electrodoméstico, a menos que sean supervisados de cerca por un adulto. Los niños y las mascotas no deben quedar solos o sin vigilancia en el área donde se utilice el electrodoméstico. Nunca se les debe permitir jugar cerca del electrodoméstico, independientemente de que esté en funcionamiento o no.

---

### ATENCIÓN

---

Los objetos de interés para niños no deben almacenarse en un electrodoméstico, en gabinetes sobre un electrodoméstico ni en la placa antisalpicaduras. Si los niños se suben a un electrodoméstico para alcanzar estos objetos, podrían sufrir lesiones graves.

---

### Seguridad en la limpieza

No limpie el electrodoméstico cuando aún esté caliente. Algunos limpiadores producen emanaciones tóxicas cuando se aplican en una superficie caliente. Las esponjas y los paños mojados pueden ocasionar quemaduras por vapor.

No use limpiadores a vapor para limpiar el aparato.

No humedezca los elementos de calentamiento desmontables; estos nunca deben sumergirse en agua.

### Seguridad en los utensilios de cocina

Sostenga el mango de la olla cuando revuelva o dé vuelta los alimentos. Esto ayuda a evitar salpicaduras y a prevenir el movimiento de la olla.

Utilice el tamaño de olla adecuado.

El uso de utensilios de cocina más pequeños deja expuesta al contacto directo una parte del elemento de calentamiento o de la hornilla, y puede ocasionar la ignición de la ropa. Seleccione utensilios de cocina





# INSTRUCCIONES DE SEGURIDAD IMPORTANTES

LEA Y CONSERVE ESTAS INSTRUCCIONES

con bases planas y lo suficientemente grandes para que cubran la unidad de calentamiento de la superficie. Este electrodoméstico está equipado con una o más unidades de superficie de diferente tamaño. La proporción correcta del utensilio de cocina con respecto al elemento de calentamiento o la hornilla también aumenta la eficiencia.

Los utensilios de cocina no aprobados para uso con placas de cerámica pueden romperse con los cambios bruscos de temperatura. Use sólo ollas que sean apropiadas para placas de cerámica (únicamente determinados tipos de vidrio, vidrio resistente al calor, cerámica, loza u otros utensilios vidriados que sean aptos).

Siempre coloque los mangos de los utensilios hacia adentro, de manera que no se extiendan sobre las áreas de trabajo adyacentes ni sobre el borde de la placa. Esto reduce el riesgo de incendios, derrames y quemaduras.

## Instalación y mantenimiento adecuados

Pídale al instalador que le muestre la ubicación del disyuntor o el fusible. Márquela para recordarla más fácilmente.

Este electrodoméstico debe ser correctamente instalado y conectado a tierra por un técnico calificado. Conéctelo sólo a una toma de corriente eléctrica correctamente conectada a tierra. Para obtener más información, consulte las Instrucciones de instalación.

Este electrodoméstico ha sido diseñado para uso doméstico normal únicamente. No está aprobado para uso en exteriores. Consulte la garantía. Si tiene alguna pregunta, comuníquese con el fabricante.

No almacene ni utilice productos químicos corrosivos, vapores, materiales inflamables ni productos no alimenticios dentro de este electrodoméstico ni cerca de él. Está específicamente diseñado para calentar o cocinar alimentos. El uso de productos químicos corrosivos al calentar o limpiar dañará el electrodoméstico y podría causar lesiones.

Asegúrese de que los platillos reflectantes o los bols recogegotas estén en su lugar: La ausencia de estos bols o platillos durante la cocción puede provocar daños en el cableado o en los componentes que se encuentran debajo de estos.

---

### AVISO

---

No hacer funcionar bien las perillas puede ocasionar lesiones personales y daños al electrodoméstico.

---

No utilice este electrodoméstico si no funciona correctamente o si ha sido dañado. Comuníquese con un centro de servicio técnico autorizado.

No cocine en una placa rota. Las soluciones de limpieza y los derrames pueden crear un riesgo de descarga eléctrica.

No repare ni cambie ninguna parte del electrodoméstico, a menos que se recomiende específicamente en este manual. Remita todas las reparaciones a un centro de servicio técnico autorizado por la fábrica.

Para evitar un peligro de descarga eléctrica, antes de reparar el electrodoméstico, apague la alimentación eléctrica en el panel de servicio y trabe el panel para impedir que se encienda accidentalmente.

## Advertencias en virtud de la Proposición 65 del estado de California

---

### AVISO

---

Este producto contiene una o más sustancias químicas que el estado de California sabe que provocan cáncer, defectos congénitos, u otro daño reproductivo.

---

## Causas para los daños

### Arañazos en la superficie de la vitrocerámica

Las bases rugosas de la batería de cocina arañan la vitrocerámica.

### Sal, azúcar y arena

La sal, azúcar o la arena arañan la vitrocerámica. No utilizar nunca la placa de cocción como superficie de trabajo ni de apoyo.

### Batería de cocina sobrecalentada

Evite que las Ollas se queden sin líquido.

### Objetos duros y puntiagudos

Si caen sobre la placa de cocción objetos duros o puntiagudos pueden producirse daños.

### Alimentos que se rebosan

El azúcar y los productos con contenido en azúcar pueden dañar la placa de cocción. Eliminar estos productos de inmediato con un rascador para cristal.

### Láminas y plásticos

El papel de aluminio y la vajilla de plástico se funden sobre zonas de cocción calientes. Las láminas de protección de cocinas no son aptas para su placa de cocción.

### Productos de limpieza inadecuados

Las coloraciones de brillo metálico sobre la vitrocerámica se producen por productos de limpieza inadecuados así como por desgaste de las baterías de cocina.

---

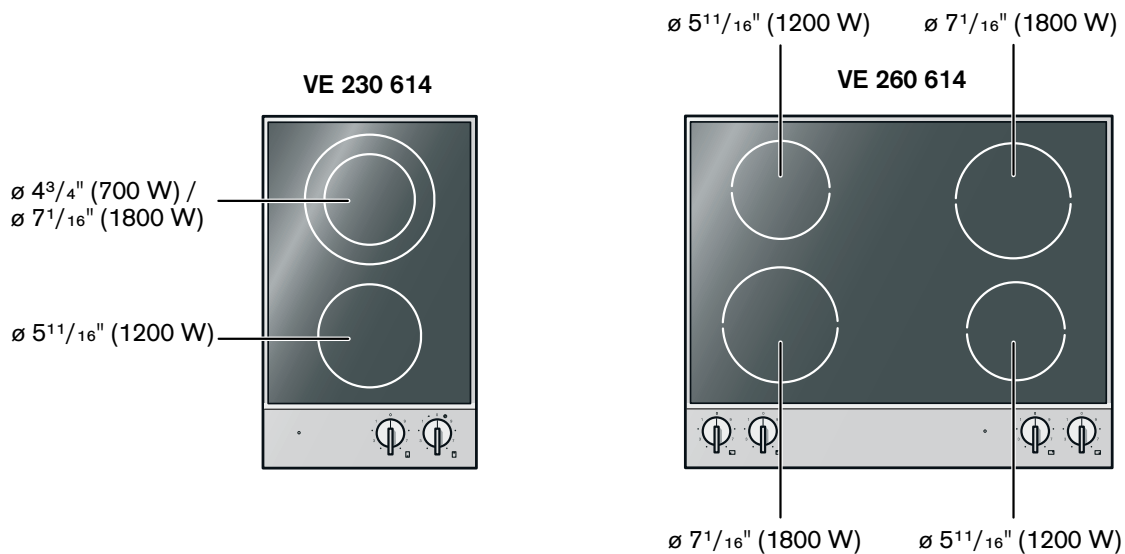
## Su aparato nuevo

---

Aquí aprende a familiarizarse con su aparato nuevo además de obtener información acerca del accesorio.

Estas instrucciones de uso son válidas para diferentes placas de cocción.

## Placa de cocción de vitrocerámica



## Accesorios especiales

En su comerciante especializado, puede adquirir el accesorio indicado a continuación:

- VD 201 014 Cubierta de aparato de acero inoxidable (sólo para VE 230)
- VD 201 034 Cubierta de aparato de aluminio (sólo para VE 230)

- VV 200 014 Listón de unión de acero inoxidable, para combinar otros aparatos Vario
- VV 200 034 Listón de unión de aluminio, para combinar otros aparatos Vario

Utilice el accesorio tal como se ha prescrito. El fabricante no se hace responsable por un uso incorrecto.

---

## Mando

---

Las marcas junto a las manetas de mando le indican la posición de cada zona de cocción correspondiente así como los niveles de potencia.

## Conectar

Gire la maneta de mando correspondiente hacia la izquierda o bien hacia la derecha a la graduación de cocción elegida. La lámpara de control se ilumina al momento de encender una zona de cocción.

### Notas

- En las zonas de cocción con activación adicional puede girar el mando a distancia hacia la izquierda para conectar.
- El mando de la placa de cocción enciende y apaga las zonas de cocción durante el funcionamiento. Esto es normal. Las zonas de cocción calientan siempre a plena potencia y son encendidas y apagadas a intervalos de tiempo más cortos o más largos según la graduación de cocción ajustada.
- Incluso desde la graduación de cocción máxima, se encienden y se apagan las zonas de cocción durante el funcionamiento. Esto es normal.

## Apagar

Gire la maneta de mando correspondiente a la posición 0. La indicación de calor remanente se ilumina mientras que se encuentre caliente una zona de cocción que pueda entrañar un riesgo al tocarla.

**Nota:** En las zonas de cocción con activación adicional no puede girar la maneta de mando directamente hacia la izquierda desde la posición activación adicional a la posición 0.

## Activación adicional

**Sólo en las zonas de cocción dotadas con una activación adicional:** El tamaño de la zona de cocción puede ampliarse con una activación adicional.

Para activarla gire la maneta de mando hacia la izquierda superando la graduación 9 hasta alcanzar la posición activación adicional y a continuación puede retroceder a la graduación de cocción elegida.

Para desactivarla gire la maneta de mando a la posición 0. Al volver a encender la activación adicional está apagada y podrá volver activarla cuando sea precisa.

**Nota:** La maneta de mando no se puede girar directamente hacia la izquierda desde la posición de activación adicional a la posición 0.

## Indicación del calor remanente

La placa de cocción va dotada para su seguridad con una indicación individual de calor remanente. Se ilumina como punto rojo para cada zona de cocción.

Si está iluminada la indicación de calor remanente, la zona de cocción correspondiente está demasiado caliente para poderla tocar sin riesgo.

---

## Tabla de ajuste

---

Rango de ajuste	Métodos de cocción	Ejemplos
9	Cocción inicial	Agua
	Sofreír	Carne
	Calentar	Grasa, Líquidos
	Ebullición	Sopas, Salsas
	Escaldar	Verduras
8 - 6	Asado	Carne, Pescado, Patatas
7 - 5	Oscurecer	Harina, Cebollas
	Tostar	Almendras, pan rallado
	Hornear	Platos con harina, platos con huevo
	Continuar la cocción con recipiente sin tapar	Líquidos
6 - 5	Derretir	Tocino
	Reducir	Fonds, Salsas
5 - 4	Batir	Cremas, Salsas
	Finalizar la cocción con recipiente sin tapar	Albóndiga de patata, salchichas hervidas, ingredientes de cocido, carne para cocido, huevos escalfados
5 - 3	Continuar cocción con tapa cerrada	Pastas, Sopas, Salsas
	Cocción a vapor	Verdura, Patatas, Pescado
	Rehogar	Verdura, Fruta, Pescado
	Asar a fuego lento	Estofado, Rellenos, Asado, Verdura
	Descongelar	Alimentos congelados

Rango de ajuste	Métodos de cocción	Ejemplos
3 - 1	Hincharse	Arroz, Legumbres
	Calentar, Mantener caliente	Sopas, Cocidos, Verduras en salsa
	Fundir	Mantequilla, Chocolate
	Coagular	Comidas a base de huevo

Seleccione la graduación de cocción más alta para alcanzar rápidamente la temperatura elegida. A continuación baje a la graduación de cocción elegida.

Los rangos de ajuste son iguales para todas las zonas de cocción.

Los valores de la tabla de ajuste son meramente orientativos, ya que según el tipo y estado de los alimentos, así como el tamaño y el nivel de llenado de la olla, puede ser necesario más o menos calor.

## Cuidado y limpieza

En este capítulo encontrará consejos e indicaciones sobre un cuidado óptimo y limpieza de su aparato.

### Limpiar el aparato

Limpie el aparato después de cada uso una vez enfriado. Retire los líquidos derramados, no permita que se incrusten los restos de los alimentos.

Parte del aparato/Superficie	Limpieza recomendada
Superficie de vitrocerámica	<p>Aplicar y frotar con un limpiador de vitrocerámica mediante paño blando húmedo; Limpiar a continuación por completo con un paño húmedo. Frotar a continuación con un paño seco y pulir.</p> <p>En su comerciante especializado o bien en nuestra tienda online puede adquirir un limpiador de vitrocerámica apropiado (Número de pedido 311298).</p> <p>Las suciedades quemadas se han de eliminar con una rasqueta para cristal de inmediato (Número de pedido 087670). Asentar para la limpieza la rasqueta para cristal de forma plana.</p>
Cuadro de mando	<p>Limpiar con un paño blando húmedo y algo de detergente; el paño no debe estar húmedo en exceso. Frotar hasta secar con un paño seco.</p> <p>Los alimentos ácidos que caigan sobre el panel de mando se han de eliminar de inmediato (p. ej. vinagre, ketchup, mostaza, escabeches).</p> <p>Para el cuidado de su panel de mando puede adquirir en su comerciante especializado o bien en nuestra tienda Online un aceite de conservación apropiado (Número de pedido 311135). Aplique aceite de conservación después de la limpieza del panel de mando de forma uniforme con un paño.</p> <p>No usar la rasqueta para cristal y el limpiador de vitrocerámica para el panel de mando.</p>
Maneta de mando	<p>Limpiar con un paño blando húmedo y algo de detergente; el paño no debe estar húmedo en exceso.</p>

## No use los medios de limpieza siguientes

- Productos de limpieza abrasivos o bien agresivos
- Limpiadores ácidos (p. ej. vinagre, ácido cítrico, etc.)
- Limpiadores con cloro o de alcohol intenso
- Pulverizadores para hornos
- Esponjas de fregar, cepillos o bien estropajos duros o abrasivos
- Antes del uso lave las esponjas nuevas.

---

## Servicio de atención al cliente

---

Si su aparato necesita una reparación, nuestro servicio de atención al cliente estará encantado de ayudarle. Siempre encontramos la solución adecuada, incluso para evitar visitas innecesarias de los técnicos.

Cuando llame por teléfono, indique la referencia del producto (Nº E) y el número de fabricación (Nº FD) para que podamos ofrecerle un servicio cualificado. La placa de identificación con los números correspondientes los encontrará en la parte inferior del aparato. Para evitar tener que buscar los datos de su aparato cuando los precise, es aconsejable anotarlos aquí conjuntamente con el número de teléfono del Servicio de atención al cliente.

---

Nº E.

Nº FD.

---

Servicio de atención al cliente ☎

---

Tenga en cuenta que la visita del técnico del servicio de atención al cliente no es gratuito en caso de que el mal funcionamiento sea debido a un manejo incorrecto del aparato.



### AVISO

#### Peligro de descarga eléctrica

Las reparaciones incorrectas son peligrosas. Solo puede realizar reparaciones uno de nuestros técnicos capacitados de Servicio al Cliente. Si el electrodoméstico está defectuoso, desconecte el enchufe o desconecte el fusible en la caja de fusibles. Llame al Servicio al Cliente.

---

Las señas de las delegaciones internacionales figuran en la lista adjunta de centros y delegaciones del Servicio de Asistencia Técnica Oficial.

#### Solicitud de reparación y asesoramiento en caso de averías

US 877 442 4436  
toll-free

Confíe en la competencia del fabricante. De esa forma se asegura de que la reparación se lleva a cabo por personal técnico debidamente instruido, equipado con las piezas originales y de repuesto necesarias para su aparato.





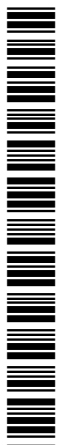
**Gaggenau**

BSH Home Appliances Ltd.  
1901 Main Street, Suite 600  
Irvine, CA 92614  
+1 877 4GAGGENAU  
USA  
[www.gaggenau-usa.com](http://www.gaggenau-usa.com)

**Gaggenau Hausgeräte GmbH**

Carl-Wery-Straße 34  
81739 München  
GERMANY

**GAGGENAU**



9000576908 en-us, es-mx, fr-ca (930419)