



VE 260 614

Stainless steel control panel
Width: 24" (60 cm)

Installation accessories

VV 200 014

Connecting strip for combination with other Vario cooktops

Vario 200 series electric cooktop

VE 260

- Can be combined with cooktops of the Vario 200 series cooking appliances and ovens in a consistent look
- Integrated control panel for comfortable and secure operation
- 4 cooking zones
- Output up to 1,800 W

Cooking zones

4 cooking zones:
2 Super-Quick cooking zones
ø 7 1/8" (1,800 W).
2 Super-Quick cooking zones
ø 5 1/8" (1,200 W).

Features

Four continuously variable energy controls.
Individual residual heat indicator.
Cooking zone marking.
Operation indicator light.

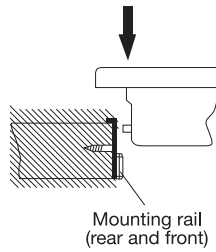
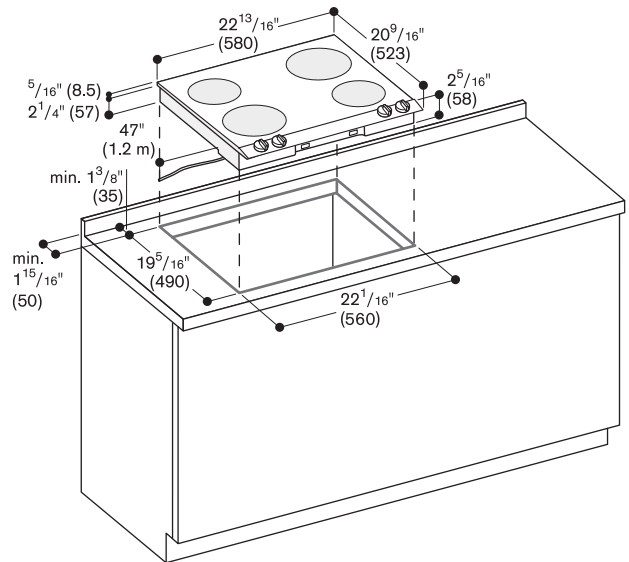
Planning notes

Installation above a 24" (60 cm) oven is possible.
Appliance clicks into place when inserted into the countertop from above.

Please read additional planning notes on page 104.

Rating

Total rating: 6.0 kW.
Total Amps: 24 A.
220-240V / 60 Hz
Plan for 56" connecting cable without plug (hardwire required)



Numbers indicated inside parenthesis () = mm