



VE 230 614

Stainless steel control panel
Width 12" (28 cm)

Installation accessories

1 glass scraper

Installation accessories

VV 200 014

Connecting strip for combination with other Vario cooktops

SH 230 001

Hinge holder required for fitting the appliance cover

Optional accessories:

VD 201 014

Bruahed stainless steel appliance cover

Vario 200 series electric cooktop

VE 230

- Special appliance for restaurant-grade capabilities in the home kitchen
- Integrated control panel for comfortable and secure operation
- Two cooking zones including combination. Total output up to 3,000 W

Cooking zones

2 cooking zones:

1 Super-Quick cooking zone
ø 5 1/16" (1,200 W).

1 Super-Quick cooking zone
ø 4 3/4" (700 W), converts to
ø 7 1/16" (1,800 W).

Features

Two continuously variable energy controls.
Cooking zone marking.

Safety

Individual residual heat display.
Operation indicator light.

Planning notes

Appliance clicks into place when inserted in the countertop from above.

Please read additional planning notes on page 98.

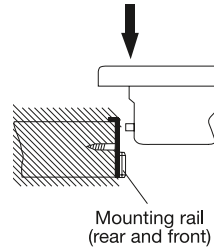
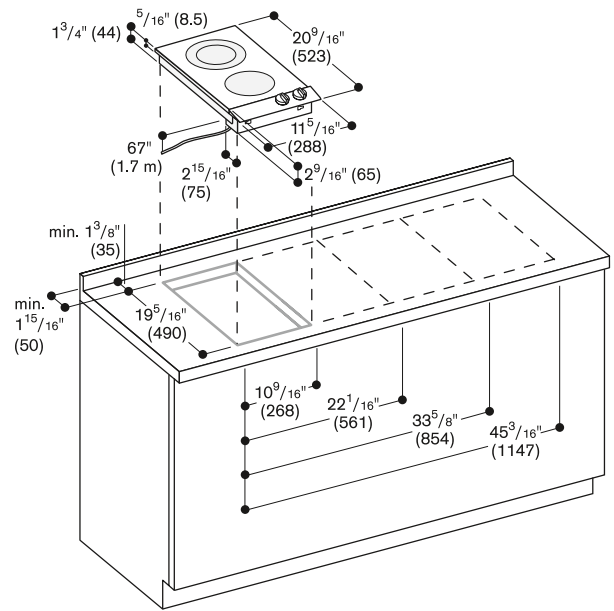
Rating

Total rating: 3.0 kW.

Total Amps: 13 A.

220-240V / 60 Hz

Plan for a 67" connecting cable without plug (hardwire required).



Numbers indicated inside parenthesis () = mm