



RY 492 704

fully integrated
Width 36" (91.4 cm)

Included accessories

- 1 egg holder with lid
- 1 ice cube scoop
- 1 supply hose, 51" (1.3 m) with 7/16" – 24 male connector

Installation accessories

RA 421 915

Stainless steel door panels with handles
For RY 492, panel thickness 3/4".

RA 423 340

Side trims, 2 pieces, for RY and RB.

RA 425 910

Short stainless steel handle for freezer door, length 31 7/8", with two brackets, drilling distance between the mounts 31".

RA 428 915

Stainless steel door panels, **handleless**
For RY 492, panel thickness 3/4".

RA 460 000

Installation kit for side-by-side installation (for connecting any two columns)
Side-by-side kit comes already attached to all RF freezer and RW wine units.

RA 460 013

Additional side heating element 110 V.
Required if appliances are installed handle to hinge or hinge to hinge.
Not required if appliances are installed less than 6" (160 mm) apart from each other.

RA 460 030

Connecting element for vertically split fronts (for bottom freezer combination).

RA 464 910

Ventilation grill stainless steel
For RB/RY 492.

Optional accessories

RA 430 100

Storage container with transparent lid, anthracite

RA 450 000

Mechanical particle filter.

RA 450 010

Activated charcoal filter for water filter system including saturation indicator.

400 series three-door bottom freezer

RY 492

- Stainless steel interior with solid anthracite aluminum elements
- Warm white and glare-free LED light spots
- Net volume 19.4 cu.ft. (549 liters)
- Opening assist for door with two options:
 1. Push-to-open function for integration into handleless furniture front
 2. Pull-to-open function to facilitate opening the door using a handle
- Flat stainless steel inner door, full-length
- Almost invisible rail system for shelves and door racks for flexible positioning
- Solid anthracite aluminum door racks
- One fresh cooling drawer 32°F (0°C) with temperature control from 32°F to 37°F (-1° to +3°C) and one fresh cooling drawer with manually adjustable humidity
- Integrated ice maker with fixed inlet water connection
- One asymmetrically split glass shelf, height adjustable
- Fully extendable freezer drawer with practical divider in anthracite
- TFT touch display
- ENERGY STAR® certified
- Sabbath mode certified by Star-K

Operation

TFT touch display operation.
Clear text display.

Features

Dynamic cold air distribution.
Automatic defrosting with defrost water evaporation.
Activated charcoal air filter.
Sabbath mode certified by Star-K.
When sabbath mode is active, the appliance can only be opened using a handle.
Open-door and malfunction alarm.
Home network integration for digital services (Home Connect) wireless via WiFi.
For further information please check: home-connect.com.

Cooling

No-Frost technology with fast cooling.
Temperature adjustable from 35°F to 46°F (+2°C to +8°C).
3 safety glass shelves, white glass, 2 of which are individually adjustable in height.
1 asymmetrically split safety glass shelf, with manual height adjustment.
4 brilliant LED light spots with warm white, glare-free light within cooling area and drawers.
Flat door rail system with fully flexible positioning of door racks.
6 height-adjustable door racks, 2 of which are extra deep.
Net volume 13.9 cu.ft.

Fresh cooling close to 32°F (0°C)

1 fully extendable fresh cooling drawer close to 32°F (0°C) with transparent front, illuminated.
Temperature can be adjusted manually.
Ideal for meat, fish and poultry.

Fresh cooling

1 fully extendable fresh cooling drawer with transparent front, illuminated.
Humidity can be adjusted manually.
Ideal for fruit and vegetables.

Freezing

No-frost technology with fast freezing at -22°F (-30°C).
Temperature adjustable from 3°F to -11°F (-16°C to -24°C).
Freezing capacity 35.3 lbs. (16 kg)/24 h.
Storage time after a malfunction 17 h.
2 fully extendable inside drawers.
Interior lighting with 2 LED light spots, warm white light.
Net volume 5.5 cu.ft.

Ice maker

Integrated in the freezer compartment, with fixed inlet water connection.
Particle filter for water inlet, integrated in ventilation grill area.
Can be switched off.
Ice cube production approx. 2.9 lbs. (1.3 kg)/24 h.
Removable ice storage container with approx. 6.6 lbs. (3 kg) capacity.

Consumption data

Energy consumption
585 kWh/year.
Noise level 42 dBA.

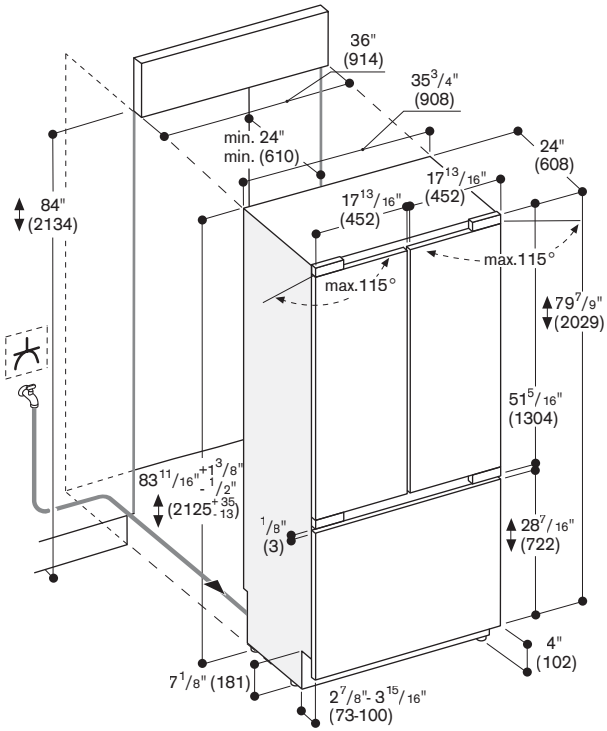
Planning notes

Flat hinge.
Door opening angle of 115°, fixable at 90°.
Max. door panel weight:
Each door 147 lbs. (67 kg).
Drawer 22 lbs. (10 kg).
Shut-off valve for water connection must be planned next to the appliance and always be accessible.
If the water pressure exceeds 116 psi, connect pressure relief valve between water tap and hose set.

Rating

Total rating 1.603 kW/24h.
Total Amps: 15 A.
120 V / 60 Hz
Connecting cable 118" (3m), detachable.
Water inlet.
Supply hose 51" (1.3 m) with 7/16" – 24 male connector.
Water pressure 29 to 116 psi.





The door face dimensions are designed for a maximum gap of 1/8" (3 mm).
 * For a flush-mounted appearance, the minimum cut-out depth must be 25".
 See more details on pages 223 and 225.