



RW 414 764

Fully integrated, with glass door
Width 18" (45.7 cm)

Included accessories

1 Accessory for side-by-side installation

Installation accessories

RA 420 010

Door lock for RW 414/464 wine storage unit
(Includes a special drill kit).

RA 421 116

Stainless steel door panel frame with handle

For 18" (45.7 cm) RW wine storage unit, left-hinged, panel thickness 3/4".

RA 421 117

Stainless steel door panel frame with handle

For 18" (45.7 cm) RW wine storage unit, right-hinged, panel thickness 3/4".

RA 423 140

Side trims, long.

RA 425 110

Stainless steel handle for wine climate cabinet.

With 3 mounts, length 44 1/2" (1.131 mm).

RA 428 116

Stainless steel door panel, handleless
For 18" (45.7 cm) wide appliances, panel thickness 3/4".

RA 460 012

Additional side heating element 110 V. Required if appliances are installed with a distance greater than 5/8" and less than 6 5/16" next to each other and for all built-in situations in a very humid environment. Not required if appliances are installed more than 6 5/16" apart from each other.

RA 460 020

Connecting element for vertically split appliance fronts (for a flush front).

RA 464 111

Ventilation grill stainless steel
For 18" (45.7 cm) wide appliances.

Optional accessories

RA 430 000

Screw hole cover set. 8 pieces.
(When telescopic rails are removed)

Vario 400 series wine climate cabinet RW 414

- (18") Two independently controllable climate zones
- Consistent temperatures with exact control from 41°F to 68°F (+5 °C to +20 °C)
- Humidity control
- Stainless steel interior
- Fully extendable bottle trays in oak wood and solid aluminum in anthracite
- Bottle trays with hidden telescopic rails
- Warm white and glare-free LED light spots
- Five preset lighting scenarios, selectable via TFT display
- Opening assist for door with two options:
 1. Push-to-open function for integration into handleless cabinet front
 2. Pull-to-open function to facilitate opening the door using a handle
- Low-vibration operation
- TFT touch display
- Capacity 70 bottles
- Sabbath mode certified by Star-K

Operation

TFT touch display operation.
Clear text display.

Technical features

Dynamic cold air distribution.
Automatic defrosting with defrost water evaporation.
Cushioned door closing system.
Activated charcoal air filter.
UV-protection.
Sabbath mode certified by Star-K. When sabbath mode is active, the appliance can only be opened using a handle.
Open-door and malfunction alarm.

Home network integration for digital services (Home Connect) wireless via WiFi. The use of the Home Connect functionality depends on the Home Connect services, which are not available in every country.
For further information please check: home-connect.com.

Features

Capacity 70 bottles (based on 0.75/l standard bottles).
12 bottle trays,
- 10 fully extendable trays
- 3 suitable for storage of Magnum bottles.
Flexible interior configuration possible by adding or removing fully extendable bottle trays.
Storage of up to 6 Magnum bottles with standard tray configuration (12 bottle trays).
Space for max. 13 bottle trays.
2 brilliant LED light spots with warm white, glare-free light in each climate zone.
5 different lighting scenarios can be selected for individual wine presentation.
Net volume 9.7 cu.ft.

Consumption data

Energy consumption
369 kWh/year.
Noise level 43 dBA.

RA 492 160

Removable shelf with oak wood frame
Suitable for decanters and open bottles.

For 18" (45.7 cm) wide appliances.

RA 493 060

Presenter in oak wood and aluminum in anthracite for single bottle display
1 piece.

RA 491 161

Fully extendable bottle trays with hidden telescopic rails in oak wood and solid aluminum in anthracite

For 18" (45.7 cm) wide appliances.

RA 498 140

Bottle support in oak wood for convenient storage of bottles on the division plate.

For 18" wide appliances.

Planning notes

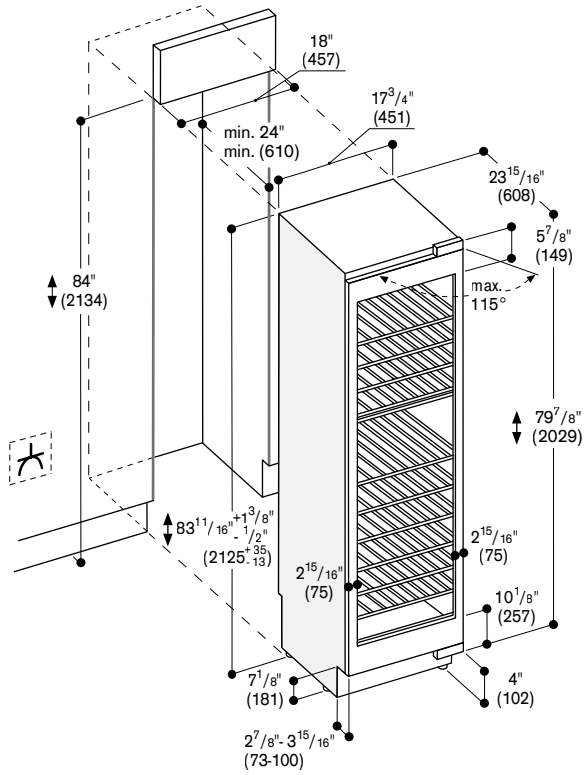
Flat hinge.
Door hinge right, reversible.
Door opening angle of 115°, fixable at 90°.
Max. door panel weight: 160 lbs. (73 kg).
Plan a power outlet outside of the cut-out.
No transport/operation above 6,500 feet (2,000 m) sea level.

Please read additional planning notes on page 242 – 251.

Rating

Total rating: 1.01 kW/24h.
Total Amps: 15 A.
120 V / 60 Hz
Connecting cable 118" (3m), detachable





The door face dimensions are designed for a maximum gap of 1/8" (3 mm). See more details on page 247.

Bottle storage

