



**Wine storage unit**  
**RW 414/RW 464**

- Two individual temperature zones, both continuously variable
- Consistent temperatures, adjustable from 41°F to 64°F
- Humidity control
- Stainless steel interior
- Fully extendable bottle trays in beech and aluminum
- Presentation light option
- Low-vibration operation
- Capacity 99 bottles (24"); 70 bottles (18")
- Star-K certified

**Operation**

Electronic precision temperature control with digital temperature display.

**Technical features**

Dynamic cool air distribution with Multi-Flow Air System.  
 Automatic defrosting with defrost water evaporation.  
 Activated charcoal air filter.  
 UV-protection.  
 Energy-saving vacation mode.  
 Open-door and malfunction warning system.

**Features**

Net volume 9.7 cu.ft. (18"), 13.9 cu.ft. (24")  
 Capacity 99 bottles (24"); 70 bottles (18") (based on standard bottles).  
 10 fully extendable bottle trays, up to four can store magnum bottles.  
 Space for max. 13 bottle trays or aluminum shelves  
 Interior lighting with 2 ceiling spots in the upper and 1 ceiling spot in the lower climate zone, can be used as display light.

**Planning notes**

Flat hinge.  
 Door hinge right, reversible.  
 Door opening angle of 115°, optional 90° door stop.  
 Max. door panel weight 37 lbs. (18"); 50 lbs. (24").  
 Custom front panel must not completely cover glass door front.  
 Requires custom toe kick.

For details, please refer to the refrigeration planning guide on pages 187-203.

**Consumption data**

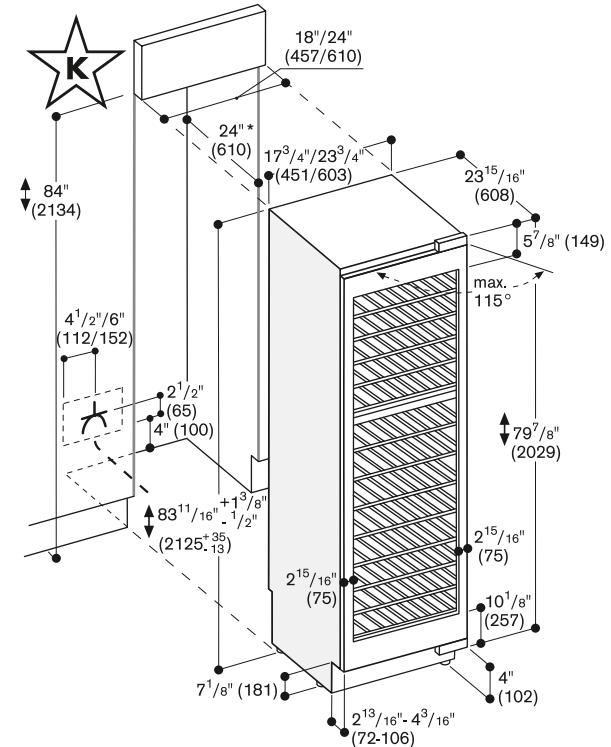
Energy consumption 1 kWh/24 h (18"), 1.041 kWh/24 h (24").  
 Noise level 43 dBA.

**Rating**

Total rating 0.092 kW (18")/ 0.102 kW (24").  
 Total Amps: 15 A.  
 120 V / 60 Hz  
 Connecting cable 78 3/4" with plug

**Optional accessories**

- RA 491 131**  
Fully extendable tray in beech with aluminum profiles for RW 414
- RA 491 631**  
Fully extendable tray in beech with aluminum profiles for RW 464
- RA 093 130**  
Special aluminum trays for single bottle display (set of 3 for three bottles) for RW 414.
- RA 093 630**  
Special aluminum trays for single bottle display (set of 3 for three bottles) for RW 464.
- RA 492 130**  
Fully extendable shelf for RW 414
- RA 492 630**  
Fully extendable shelf for RW 464



The door face dimensions are designed for a maximum gap of 1/8" (3 mm).  
 \* For a flush-mounted appearance, the minimum cut-out depth must be 25". See more details on pages 190 and 197.

**RW 414 761**

Fully integrated  
 With two temperature zones  
 Width 18"

**RW 464 761**

Fully integrated  
 With two temperature zones  
 Width 24"

**Required installation accessories**

**RA 460 010**

Heating kit if columns are not attached (in separate niches) and less than 6" apart

**Installation accessories**

**RA 421 111**

Stainless steel door frame with handle for RW 414, left-hinged

**RA 421 112**

Stainless steel door frame with handle for RW 414, right-hinged

**RA 421 611**

Stainless steel door frame with handle for RW 464, left-hinged

**RA 421 612**

Stainless steel door frame with handle for RW 464, right-hinged

**RA 425 110**

Long stainless steel handle, length 44 1/2", with three brackets, drilling distance between each mount 21 13/16"

**RA 460 000**

Installation kit for side-by-side installation (for connecting any two columns) Side-by-side kit comes already attached to all RF freezers and RW wine units

**RA 461 112**

Ventilation grill  
 Stainless steel for RW 414, right-hinged

**RA 461 113**

Ventilation grill  
 Stainless steel for RW 414, left-hinged

**RA 461 612**

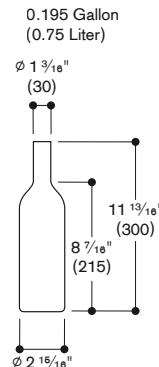
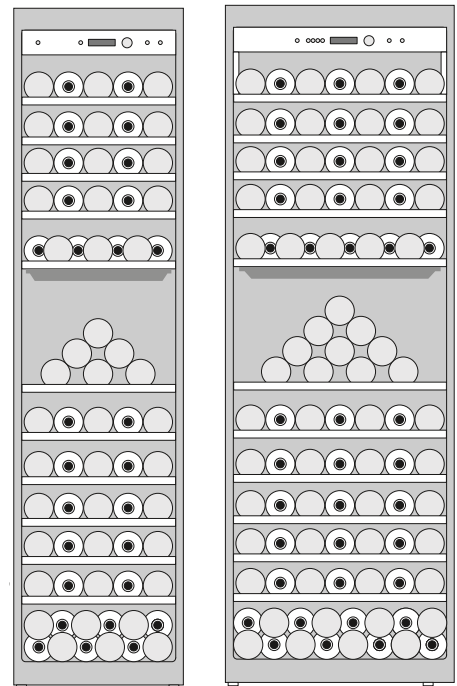
Ventilation grill  
 Stainless steel for RW 464, right-hinged

**RA 461 613**

Ventilation grill  
 Stainless steel for RW 464, left-hinged

**RA 420 010**

Mechanical door lock  
 (Includes a special drill kit)



Numbers indicated inside parenthesis ( ) = mm