



RW 414 764

fully integrated, with glass door
Width 18" (45.7 cm)

RW 466 764

fully integrated, with glass door
Width 24" (61 cm)

Installation accessories

RA 420 010

Door lock for RW 414/464 wine storage unit
(Includes a special drill kit).

RA 421 116

Stainless steel door panel frame with handle

For 18" (45.7 cm) RW wine storage unit, **left-hinged**, panel thickness ¾".

RA 421 117

Stainless steel door panel frame with handle

For 18" (45.7 cm) RW wine storage unit, **right-hinged**, panel thickness ¾".

RA 421 616

Stainless steel door panel frame with handle

For 24" (61 cm) RW wine storage unit, **left-hinged**, panel thickness ¾".

RA 421 617

Stainless steel door panel frame with handle

For 24" (61 cm) RW wine storage unit, **right-hinged**, panel thickness ¾".

RA 423 140

Side trims, long.

RA 425 110

Long stainless steel handle, length 44 ½", with three brackets, drilling distance between each mount 21 13/16"

RA 428 116

Stainless steel door panel, **handleless**
For 18" (45.7 cm) wide appliances, panel thickness ¾".

RA 428 615

Stainless steel door panel, **handleless**
For 24" (61 cm) wide appliances, panel thickness ¾".

RA 460 013

Additional side heating element 110 V. Required if appliances are installed handle to hinge or hinge to hinge. Not required if appliances are installed more than 6" (160 mm) apart from each other.

RA 460 020

Connecting element for vertically split appliance fronts (for a flush front).

400 series wine climate cabinet

RW 414 / RW 466

- (18") Two / (24") three independently controllable climate zones
- Consistent temperatures with exact control from 41°F to 68°F (+5 °C to +20 °C)
- Humidity control
- Home network integration for digital services (Home Connect) wireless via WiFi.
- Stainless steel interior
- Fully extendable bottle trays in oak wood and solid aluminum in anthracite
- Bottle trays with hidden telescopic rails
- Warm white and glare-free LED light spots
- Five preset lighting scenarios, selectable via TFT display
- Opening assist for door with two options:
 1. Push-to-open function for integration into handleless furniture front
 2. Pull-to-open function to facilitate opening the door using a handle
- Low-vibration operation
- TFT touch display
- Capacity 70/99 bottles
- Sabbath mode certified by Star-K

Operation

TFT touch display operation.
Clear text display.

Technical features

Dynamic cold air distribution.
Automatic defrosting with defrost water evaporation.
Activated charcoal air filter.
UV-protection.
Sabbath mode certified by Star-K. When sabbath mode is active, the appliance can only be opened using a handle.
Open-door and malfunction alarm.
Home network integration for digital services (Home Connect) wireless via WiFi.
For further information please check: home-connect.com.

Features

Net volume 9.7/13.7 cu.ft.
Capacity 70 (18")/99 (24") bottles (based on 0.75/l standard bottles).
12 bottle trays,
- 9/10 fully extendable trays
- 3 suitable for storage of Magnum bottles.
Flexible interior configuration possible by adding or removing fully extendable bottle trays.
Storage of up to 6 /12 Magnum bottles with standard tray configuration (12 bottle trays).
Space for max. 12/13 bottle trays.
2 brilliant LED light spots with warm white, glare-free light in each climate zone.
5 different lighting scenarios can be selected for individual wine presentation.

Consumption data

Energy consumption
(18") 369, (24") 456 kWh/year.
Noise level 43 dBA.

RA 464 111

Ventilation grill stainless steel
For 18" (45.7 cm) wide appliances.

RA 464 611

Ventilation grill stainless steel
For 24" (61 cm) wide appliances.

Optional accessories

RA 430 000

Screw hole cover set. 8 pieces.
(When telescopic rails are removed)

RA 450 000

Mechanical particle filter.

RA 492 160

Removable shelf with oak wood frame
Suitable for decanters and open bottles.
For 18" (45.7 cm) wide appliances.

RA 492 660

Removable shelf with oak wood frame
Suitable for decanters and open bottles.

For 24" (61 cm) wide appliances.

RA 493 060

Presenter in oak wood and aluminum in anthracite for single bottle display
1 piece.

RA 491 161

Fully extendable bottle trays with hidden telescopic rails in oak wood and solid aluminum in anthracite
For 18" (45.7 cm) wide appliances.

RA 491 661

Fully extendable bottle trays with hidden telescopic rails in oak wood and solid aluminum in anthracite
For 24" (61 cm) wide appliances.

RA 498 140

Bottle support in oak wood for convenient storage of bottles on the division plate.
For 18" wide appliances.

RA 498 640

Bottle support in oak wood for convenient storage of bottles on the division plate.
For 24" wide appliances.

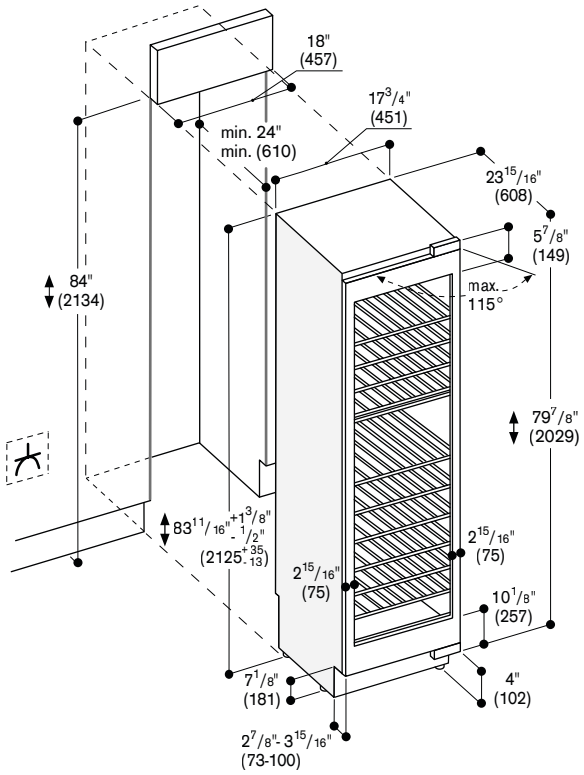
Planning notes

Flat hinge.
Door hinge right, reversible.
Door opening angle of 115°, fixable at 90°.
Max. door panel weight 160/167 lbs. (73 /76 kg).
Plan a power outlet outside of the cut-out.
No transport/operation above 5,000 feet (1.500 m) sea level.

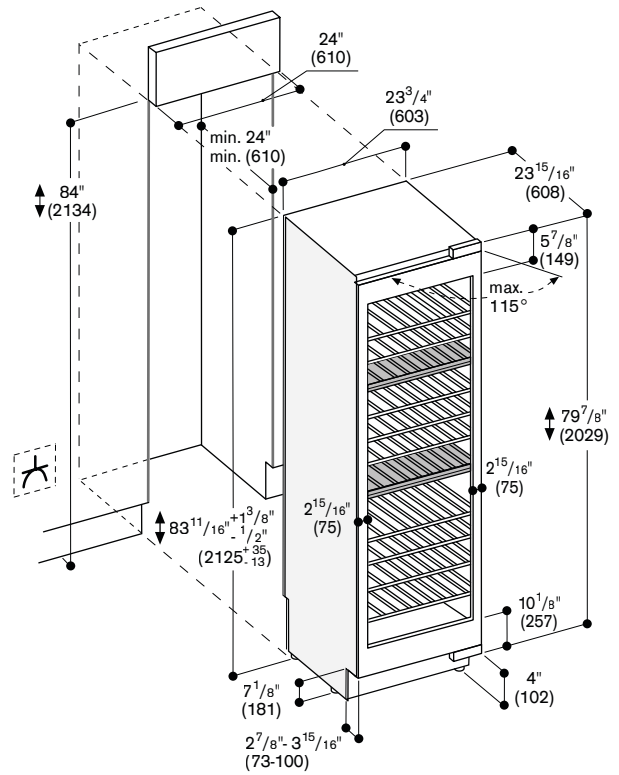
Rating

Total rating (18") 1.01, (24") 1.25 kW/24h.
Total Amps: 15 A.
120 V / 60 Hz
Connecting cable 118" (3m), detachable



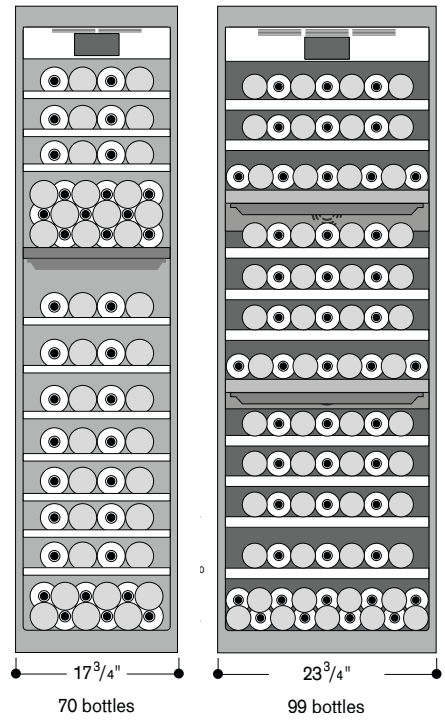
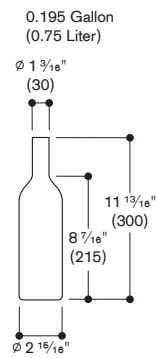


The door face dimensions are designed for a maximum gap of $\frac{1}{8}$ " (3 mm).
 * For a flush-mounted appearance, the minimum cut-out depth must be 25".
 See more details on pages 223 and 225.



The door face dimensions are designed for a maximum gap of $\frac{1}{8}$ " (3 mm).
 * For a flush-mounted appearance, the minimum cut-out depth must be 25".
 See more details on pages 223 and 225.

Bottle storage





RW 404 761

Under-counter wine storage unit with stainless steel-framed glass door
Width 23 5/8" (60cm)

Optional accessories

RA 050 220

Replacement activated charcoal air filter for upper and lower temperature zone.

400 series 24" under-counter wine storage unit RW 404

- Two individual temperature zones, both continuously variable
- Consistent temperatures with exact control from 41°F to 64°F
- Extendable bottle trays in beech and aluminum
- LED lighting
- Soft-closing system for a controlled door closure
- Door lock
- 34-bottle capacity

Operation

Electronic temperature control with digital display.

Touch keys.

Dimmable presentation light option in each climate zone.

Interior lighting with automatic

dimming with opening and closing of door.

Technical features

Dynamic cool air distribution with Multi-Flow Air System.

Humidity control.

Soft closing system integrated in door hinge.

Automatic defrosting with defrost water evaporation.

One activated charcoal air filter.

UV-protection.

Open-door and malfunction warning system.

Energy-saving vacation mode.

Features

Net volume of 3.3 cu.ft.

34-bottle capacity.

Five bottle trays, three of which are extendable.

Storage of magnum bottles possible.

LED lighting.

Planning notes

Flat hinge.

Door hinge right, reversible.

Height-adjustable feet.

Door opens to 95° and can be fixed.

For integration next to a side wall, a clearance of 5 7/8" hinge side is required.

Plan a power outlet outside of the cut-out.

Consumption data

Energy consumption

144 kWh/year.

Noise level 38 dBA.

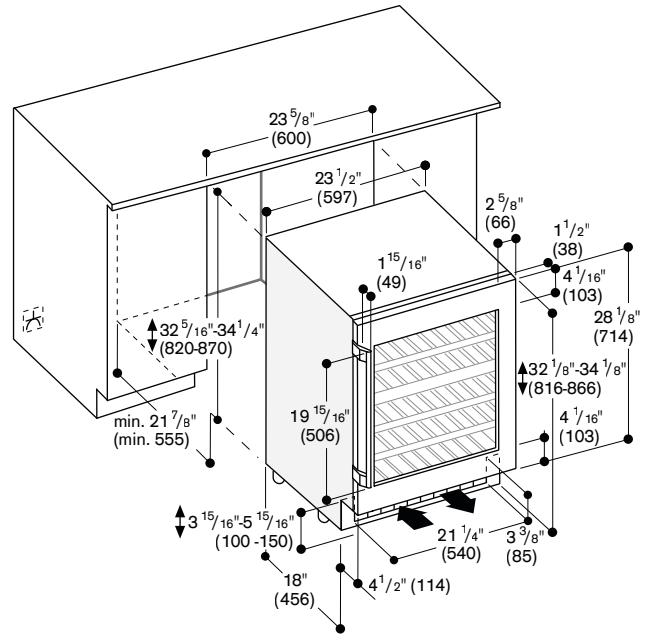
Rating

Total rating 0.2 kWh/24h.

Total amps: 10 A.

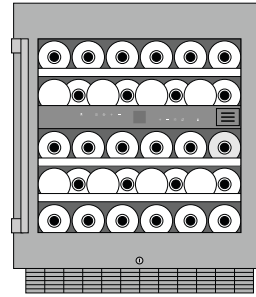
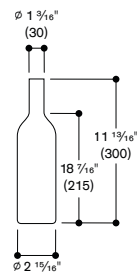
120 V / 60 Hz.

Connecting cable 71" with plug.



Bottle storage

0.195 Gallon
(0.75 Liter)



Numbers indicated
inside parenthesis () = mm