



#### RW 404 761

Under-counter wine storage unit with stainless steel-framed glass door  
Width 23 5/8" (60cm)

#### Optional accessories

##### RA 050 220

Replacement activated charcoal air filter for upper and lower temperature zone.

#### 400 series 24" under-counter wine storage unit RW 404

- Two individual temperature zones, both continuously variable
- Consistent temperatures with exact control from 41°F to 64°F
- Extendable bottle trays in beech and aluminum
- LED lighting
- Soft-closing system for a controlled door closure
- Door lock
- 34-bottle capacity

#### Operation

Electronic temperature control with digital display.  
Touch keys.  
Dimmable presentation light option in each climate zone.  
Interior lighting with automatic dimming with opening and closing of door.

#### Technical features

Dynamic cool air distribution with Multi-Flow Air System.  
Humidity control.  
Soft closing system integrated in door hinge.  
Automatic defrosting with defrost water evaporation.  
One activated charcoal air filter.  
UV-protection.  
Open-door and malfunction warning system.  
Energy-saving vacation mode.

#### Features

Net volume of 3.3 cu.ft.  
34-bottle capacity.  
Five bottle trays, three of which are extendable.  
Storage of magnum bottles possible.  
LED lighting.

#### Planning notes

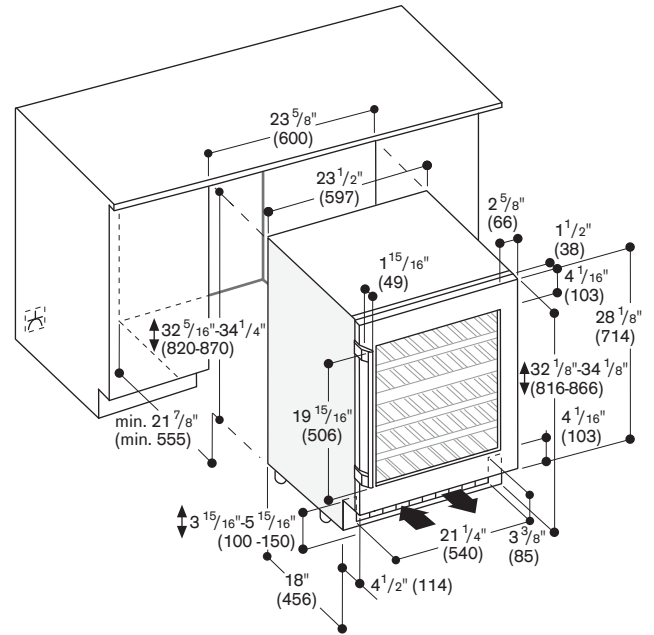
Flat hinge.  
Door hinge right, reversible.  
Height-adjustable feet.  
Door opens to 95° and can be fixed.  
For integration next to a side wall, a clearance of 5 7/8" hinge side is required.  
Plan a power outlet outside of the cut-out niche.

#### Consumption data

Energy consumption 0.4 kWh/24h.; annually 144 kWh.  
Noise level 38 dBA.

#### Rating

Total rating 0.200 kW.  
Total amps: 10 A.  
120 V / 60 Hz.  
Connecting cable 71" with plug.



#### Bottle storage

