



**24" under-counter wine storage unit
RW 404**

- Two individual temperature zones, both continuously variable
- Consistent temperatures with exact control from 41°F to 64°F
- Extendable bottle trays in beech and aluminum
- LED lighting
- Soft-closing system for a controlled door closure
- Door lock
- 34-bottle capacity

RW 404 761

Under-counter wine storage unit with stainless steel-framed glass door
Width 23 5/8" (60cm)

Optional accessories

RA 050 220

Replacement activated charcoal air filter for upper and lower temperature zone.

Operation

Electronic temperature control with digital display.
Touch keys.
Dimmable presentation light option in each climate zone.
Interior lighting with automatic dimming with opening and closing of door.

Technical features

Dynamic cool air distribution with Multi-Flow Air System.
Humidity control.
Soft closing system integrated in door hinge.
Automatic defrosting with defrost water evaporation.
One activated charcoal air filter.
UV-protection.
Open-door and malfunction warning system.
Energy-saving vacation mode.

Features

Net volume of 3.3 cu.ft.
34-bottle capacity.
Five bottle trays, three of which are extendable.
Storage of magnum bottles possible.
LED lighting.

Planning notes

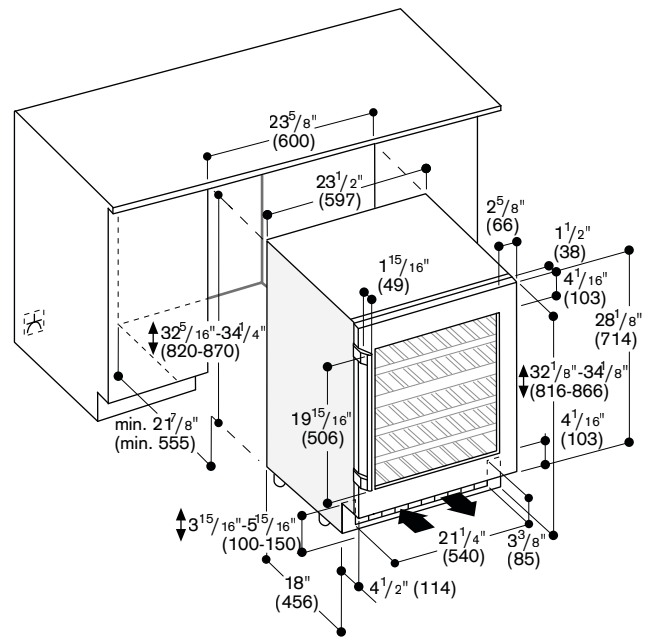
Flat hinge.
Door hinge right, reversible.
Height-adjustable feet.
Door opens to 95° and can be fixed.
For integration next to a side wall, a clearance of 5 7/8" hinge side is required.
Plan a power outlet outside of the cut-out niche.

Consumption data

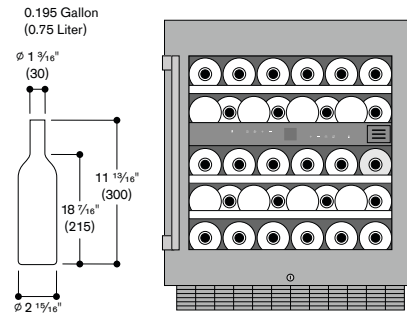
Energy consumption 0.4 kWh/24h.;
annually 144 kWh.
Noise level 38 dBA.

Rating

Total rating 0.200 kW.
Total amps: 10 A.
120 V / 60 Hz.
Connecting cable 71" with plug.



Bottle storage



Numbers indicated inside parenthesis () = mm