



RF 463 704
fully integrated
Width 24" (61 cm)
Right-hinged

RF 463 705
fully integrated
Width 24" (61 cm)
Left-hinged

Included accessories
Accessory for side-by-side installation

Installation accessories

RA 422 611
Stainless steel door panel with handle
For RF 463, panel thickness 3/4".

RA 423 140
Side trims, long.

RA 425 110
Long stainless steel handle, length 44 1/2", with three brackets, drilling distance between each mount 21 13/16".

RA 428 811
Stainless steel door panel, **handleless**
For RF 463, panel thickness 3/4".

RA 460 013
Additional side heating element 110 V.
Required if appliances are installed handle to hinge or hinge to hinge. Not required if appliances are installed more than 6" (160 mm) apart from each other.

RA 460 020
Connecting element for vertically split appliance fronts (for a flush front).

RA 464 613
Ventilation grill stainless steel
For RF 463, with filter, right-hinged.

RA 464 614
Ventilation grill stainless steel
For RF 463, with filter, left-hinged.

Optional accessories

RA 450 000
Mechanical particle filter.

RA 450 010
Activated charcoal filter for water filter system including saturation indicator.

400 series freezer column
RF 463

- Stainless steel interior with solid anthracite aluminum elements
- Warm white and glare-free LED light spots
- Net volume 11.2 cu.ft.
- Opening assist for door with two options:
 1. Push-to-open function for integration into handleless furniture front
 2. Pull-to-open function to facilitate opening the door using a handle
- The drawers in the RC and RF models are positioned at the same height. With side-by-side installation, the glass shelves and door racks can be aligned on the same level
- Material and aesthetics of interior as for RC model
 - Glass shelves
 - Solid anthracite aluminum door racks
- Flat stainless steel inner door, full-length
- Almost invisible rail system for shelves and door racks for flexible positioning
- Ice and water dispenser in the door
- Integrated ice maker with fixed inlet water connection
- Proximity sensor for ice and water dispenser
- Illuminated dispenser for ice cubes, crushed ice and chilled water
- TFT touch display
- ENERGY STAR® certified
- Sabbath mode certified by Star-K

Operation
TFT touch display operation.
Clear text display.
Touch key operation for ice and water dispenser.

Features
Dynamic cold air distribution.
Automatic defrosting with defrost water evaporation.
Sabbath mode certified by Star-K. When sabbath mode is active, the appliance can only be opened using a handle.
Open-door and malfunction alarm.
Home network integration for digital services (Home Connect) wireless via WiFi.
For further information please check: home-connect.com.

Freezing
No-frost technology with fast freezing at -22°F (-30°C).
Temperature adjustable from 3°F to -11°F (-16°C to -24°C).
4 safety glass shelves, white glass, 2 of which are individually adjustable in height.
2 fully extendable drawers with transparent front.
4 brilliant LED light spots with warm white, glare-free light within cooling area and drawers.
Net volume 11.2 cu.ft.

Ice and water dispenser
Warm white LED lighting.
Proximity sensor for automatic

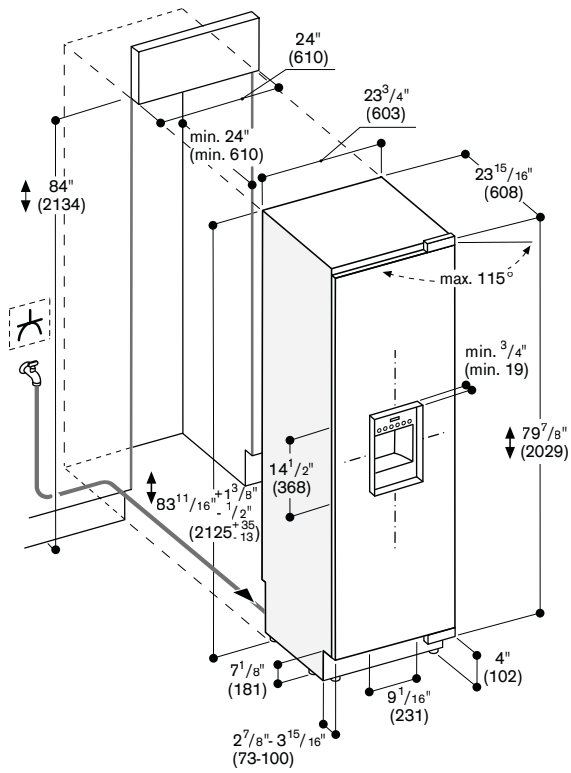
activation of light and touch keys for ice and water dispenser.
Integrated, with fixed inlet water connection.
Particle filter for water inlet, integrated in ventilation grill area.
Can be switched off.
Ice cube production approx. 4.2 lbs. (1.9 kg)/24 h.
Ice cubes and crushed ice.
Removable ice storage container with approx. 6.6 lbs. (3 kg) capacity.
Ice water supply approx. .05 cu.ft. (1.5 liters).

Consumption data
Energy consumption 457 kWh/year.
Noise level 42 dBA.

Planning notes
Flat hinge.
Door opening angle of 115°, fixable at 90°.
Max. door panel weight 147 lbs. (67 kg).
Shut-off valve for water connection must be planned next to the appliance and always be accessible.
If the water pressure exceeds 116 psi, connect pressure relief valve between water tap and hose set.

Rating
Total rating 1.252 kW/24h.
Total Amps: 15 A.
120 V / 60 Hz
Connecting cable 118" (3m), detachable.
Water inlet.
Supply hose 59" (1.5 m) with 3/4" connection.
Water pressure 29 to 116 psi.





The door face dimensions are designed for a maximum gap of 1/8" (3 mm).
 * For a flush-mounted appearance, the minimum cut-out depth must be 25".
 See more details on pages 223 and 225.