



**400 series freezer column**  
**RF 463**

- Stainless steel interior
- Integrated automatic ice maker with fixed water connection
- Illuminated dispenser for ice cubes, crushed ice and chilled water
- Solid aluminum door bins
- Net volume 12 cu.ft.
- ENERGY STAR® certified
- Star-K certified

**Operation**

Electronic precision temperature control with digital temperature display.

**Technical features**

Dynamic cool air distribution with Multi-Flow Air System.  
 Automatic defrosting with defrost water evaporation.  
 Energy-saving vacation mode.  
 Open-door and malfunction warning system.

**Freezer compartment**

No-frost technology with fast freezing. Temperature adjustable from 7°F to -9°F (-14°C to -25°C).  
 4 solid metal shelves, two of which are manually adjustable.  
 2 fully extendable drawers with transparent front, one of which is large, one is regular.  
 Bright interior lighting with LED sidewall pillars.  
 One gallon door bin.  
 1 door bin with transparent front flap.

**Ice and water dispenser**

Illuminated ice and water dispenser. Integrated, with fixed water connection.  
 Ice maker can be switched off independently.  
 Ice cube production approx. 4.2 lbs. (1.9 kg)/24 h.  
 Ice cubes and crushed ice.  
 Removable ice storage bin with approx. 6.6 lbs. (3 kg) capacity.  
 Chilled water supply approximately 1.3 quarts.

**Planning notes**

Flat hinge.  
 Door opening angle of 115°, optional 90° door stop.  
 Max. door panel weight 50 lbs.  
 Requires custom toe-kick.  
 Shut-off valve for water connection must be planned next to the appliance and always be accessible.  
 If the water pressure exceeds 116 psi, connect pressure relief valve between water tap and hose set.  
 Cold water connection required.  
 Electrical location 6" above ground in lower left corner of unit.  
 Water pressure 29 to 116 psi.

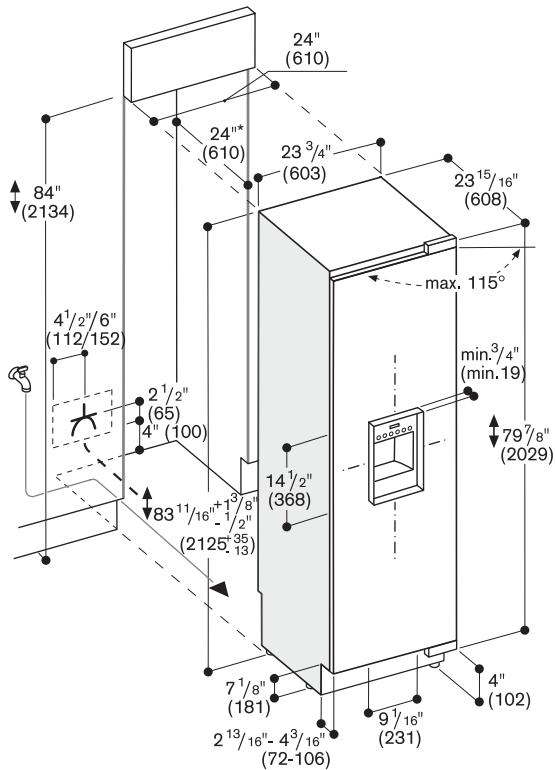
For details, please refer to the refrigeration planning guide on pages 195-211.

**Consumption data**

Energy consumption 1.353 kWh/24 h.; annually: 494 kWh.  
 Noise level 39 dBA.

**Rating**

Total rating 0.565 kW.  
 Total Amps: 15 A.  
 120 V / 60 Hz  
 Connecting cable 78 ¾" with plug.



The door face dimensions are designed for a maximum gap of 1/8" (3 mm).  
 \* For a flush-mounted appearance, the minimum cut-out depth must be 25".  
 See more details on pages 198 and 205.

**RF 463 702**

Fully integrated with ice and water dispenser  
 Right-hinged  
 width 24"

**RF 463 703**

Fully integrated with ice and water dispenser  
 Left-hinged  
 width 24"

**Required installation accessories**

**RA 460 010**

Heating kit if columns are not attached (in separate niches) and less than 6" apart.

**Installation accessories**

**RA 422 610**

Stainless steel door panel with handle for RF 463  
 Panel thickness ¾".

**RA 450 010**

Activated charcoal filter for water filter system including saturation indication.

**RA 425 110**

Long stainless steel handle, length 44 ½", with three brackets, drilling distance between each mount 21 13/16".

**RA 460 020**

Connecting element for vertically split appliance fronts (for a flush front).

**RA 461 614**

Ventilation grill  
 Stainless steel, for RF 463, right-hinged.

**RA 461 615**

Ventilation grill  
 Stainless steel, for RF 463, left-hinged.

**RA 460 000**

Installation kit for side-by-side installation (for connecting any two columns) Side-by-side kit comes already attached to all RF freezers and RW wine units



Numbers indicated inside parenthesis ( ) = mm