



RF 411 701

Fully integrated with integrated ice maker
Width 18"

RF 461 701

Fully integrated with integrated ice maker
Width 24"

RF 471 701

Fully integrated with integrated ice maker
Width 30"

Included accessory

1 ice scoop

Required installation accessories

RA 460 010

Heating kit if columns are not attached (in separate niches) and less than 6" apart

Installation accessories

RA 421 110

Stainless steel door panel with handle for RF 411
Panel thickness 3/4"

RA 421 610

Stainless steel door panel with handle for RF 461
Panel thickness 3/4"

RA 421 710

Stainless steel door panel with handle for RF 471
Panel thickness 3/4"

RA 460 000

Installation kit for side-by-side installation (for connecting any two columns) Side-by-side kit comes already attached to all RF freezers and RW wine units

RA 460 020

Connecting element for vertically split appliance fronts (for a flush front)

RA 461 110

Ventilation grill
Stainless steel for RF 411, right-hinged

RA 461 111

Ventilation grill
Stainless steel for RF 411, left-hinged

RA 461 610

Ventilation grill
Stainless steel for RF 461, right-hinged

RA 461 611

Ventilation grill
Stainless steel for RF 461, left-hinged

Freezer column

RF 411/RF 461/RF 471

- Stainless steel interior
- Net volume (18") 8.5 cu.ft., (24") 12.2 cu.ft., (30") 15.9 cu.ft.
- Integrated automatic ice maker with fixed water connection
- Solid aluminum door bins
- ENERGY STAR® qualified
- Star-K certified

Operation

Electronic precision temperature control with digital temperature display.

Technical features

Dynamic cool air distribution with Multi-Flow Air System.
Automatic defrosting with defrost water evaporation.
Energy-saving vacation mode.
Open-door and malfunction warning system.

Freezer compartment

No-frost technology with fast freezing. Temperature adjustable from 7°F to -9°F (-14°C to -25°C).
4 solid metal shelves, three of which are manually adjustable.
2 fully extendable drawers with transparent front, one of which is large, one is regular.
Bright interior lighting with LED sidewall pillars.
4 height-adjustable door bins, one of which is a gallon door bin.
1 door bin with transparent front flap.

Ice dispenser

Integrated, with fixed water connection.
Ice maker can be switched off independently.
Ice cube production approx. 3.9 lbs. (1.8 kg)/24 h.
Removable ice storage bin with approx. 8.8 lbs. (4 kg) capacity.

Planning notes

Flat hinge.
Door hinge left, reversible.
Door opening angle of 115°, optional 90° door stop.
Max. door panel weight 37 lbs. (18"), 50 lbs. (24"), 64 lbs. (30").
Requires custom toe-kick.
Shut-off valve for water connection must be planned next to the appliance and always be accessible.
If the water pressure exceeds 116 psi, connect pressure relief valve between water tap and hose set.
Cold water connection required.
Electrical location 6" above ground in lower left corner of unit.
Water pressure 29 to 116 psi.

For details, please refer to the refrigeration planning guide on pages 187-203.

Consumption data

Energy consumption 1.013/1.274/1.416 kWh/24 h.; annually: 370/465/517 kWh.
Noise level 39 dBA.

Rating

Total rating 0.367/0.444/0.565 kW.
Total Amps: 15 A.
120 V / 60 Hz
Connecting cable 78 3/4" with plug.
Supply hose 118" with 3/4" connection.

RA 425 110

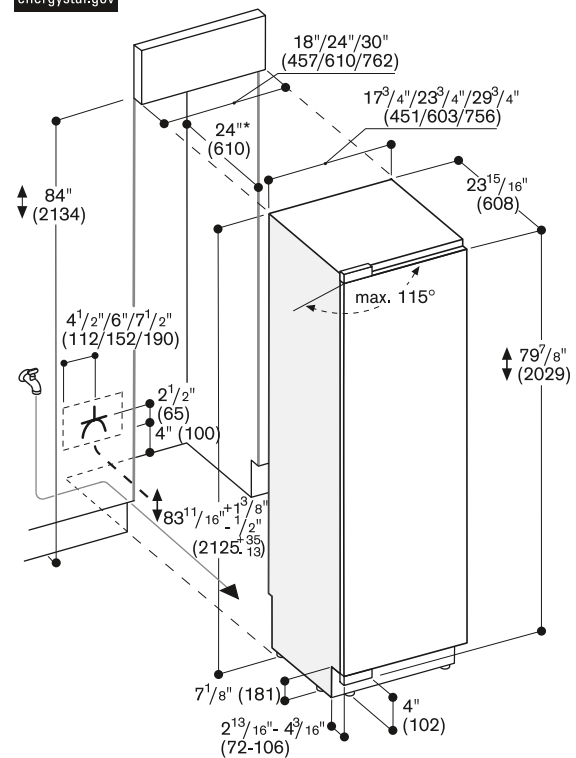
Long stainless steel handle, length 44 1/2", with three brackets, drilling distance between each mount 21 13/16"

RA 461 710

Ventilation grill
Stainless steel for RF 471, right-hinged

RA 461 711

Ventilation grill
Stainless steel for RF 471, left-hinged



The door face dimensions are designed for a maximum gap of 1/8" (3 mm).

* For a flush-mounted appearance, the minimum cut-out depth must be 25". See more details on pages 190 and 197.

Numbers indicated inside parenthesis () = mm