



Refrigeration column
RC 462/RC 472

- Stainless steel interior
- Generous LED lighting concept
- Solid aluminum door bins
- Net volume (24") 13.1 cu.ft., (30") 17.1 cu.ft.
- Temperature control drawer (32°F to 37°F)
- One motorized glass shelf, height adjustable when fully loaded
- ENERGY STAR® qualified
- Star-K certified

Operation

Electronic precision temperature control with digital temperature display.

Technical features

Dynamic cool air distribution with Multi-Flow Air system.
 Automatic defrosting with defrost water evaporation.
 Activated charcoal air filter.
 Energy-saving vacation mode.
 Open-door and malfunction warning system.

Cooling compartment

Net volume 13.1/17.1 cu.ft.
 No-frost technology with fast cooling.
 Temperature adjustable from 35°F to 46°F (+2°C to +8°C).
 4 safety glass shelves (one is motorized, two are manually adjustable).
 2 fully extendable drawers (low and high) with transparent front.
 Bright interior lighting with LED sidewall pillars.
 3 height adjustable door bins, one of which is a large gallon door bin.
 1 door bin with transparent front flap.

Temperature controlled drawer

Net volume 2/2.6 cu. ft.
 Separate automatic temperature control with settings for fish (32°F), meat (35°F) and produce (37°F).
 1 large, fully-extendable deli drawer (just above 32°F) with transparent front and integrated lighting.

Planning notes

Flat hinge.
 Door hinge right, reversible.
 Door opening angle of 115°, optional 90° door stop.
 Max. door panel weight 50 lbs. (24"), 64 lbs. (30").
 Requires custom toe-kick.

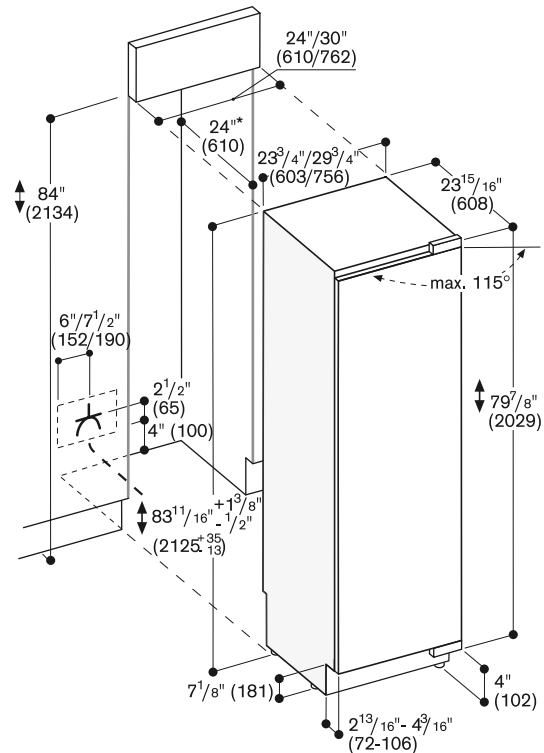
For details, please refer to the refrigeration planning guide on pages 167-183.

Consumption data

Energy consumption 0.762/0.875 kWh/24 h.; annually: 278/319 kWh.
 Noise level 39 dB.

Rating

Total rating 0.180 kW.
 Total Amps: 15 A.
 120 V / 60 Hz
 Connecting cable 78 3/4" with plug.



The door face dimensions are designed for a maximum gap of 1/8" (3 mm).
 * For a flush-mounted appearance, the minimum cut-out depth must be 25". See more details on pages 170 and 177.

RC 462 701

Fully integrated
 Width 24"

RC 472 701

Fully integrated
 Width 30"

Required installation accessories

RA 460 000

Installation kit for side-by-side installation (for any two columns). Side-by-side kit comes already attached to all RF freezers and RW wine units.

RA 460 010

Heating kit if columns are not attached (in separate niches) and less than 6" apart

Installation accessories

RA 421 610

Stainless steel door panel with handle for RC 462
 Panel thickness 3/4".

RA 421 710

Stainless steel door panel with handle for RC 472
 Panel thickness 3/4".

RA 461 612

Ventilation grill
 Stainless steel, for RC 462 right-hinged

RA 461 613

Ventilation grill
 Stainless steel, for RC 462 left-hinged

RA 461 712

Ventilation grill
 Stainless steel, for RC 472 right-hinged

RA 461 713

Ventilation grill
 Stainless steel, for RC 472 left-hinged

RA 425 110

Long stainless steel handle, length 44 1/2", with three brackets, drilling distance between each mount 21 13/16"

RA 460 020

Connecting element for vertically split appliance fronts (for a flush front)



Numbers indicated inside parenthesis () = mm