



RB 280 704

Two-door bottom freezer
without ice maker
Fully integrated
Width: 22 1/4" (56 cm)

Included accessories

- 2 ice cube trays
- 2 ice packs
- 2 egg trays



200 series two-door bottom freezer RB 280

- Three climate zones including fresh cooling
- Height adjustable safety glass shelves
- Door racks with aluminum profiles
- Innovative defrost technology:
 - Reduced energy consumption due to new evaporator design
 - Faster defrosting and easier cleaning due to less severe and more uniform ice build-up
 - Safety glass shelf between freezer drawers
- Cushioned door closing system allowing a soft and controlled door closure
- ENERGY STAR® certified
- Total unit gross capacity 9.6 cu.ft.

Operation

Electronic precision temperature control with digital temperature display. Touch keys.

Technical Features

Cushioned door closing system from 20° door opening angle, integrated in door hinge.
Open-door and malfunction warning system.
Energy-saving vacation mode.

Home network integration for digital services (Home Connect) wireless via WiFi. The use of the Home Connect functionality depends on the Home Connect services, which are not available in every country. For further information please check: home-connect.com.

Cooling compartment

Fast cooling.
Automatic defrosting with defrost water evaporation.
Temperature adjustable from 35 °F to 46 °F (+2 °C to +8 °C).
5 safety glass shelves, of which 1 is fully extendable and 4 are height adjustable.
1 large door rack with aluminum profile for bottles with flexible bottle holder.
4 door racks with aluminum profile.
1 vegetable drawer.
Bright interior lighting with integrated glare-free side light elements.
1 full-width humidity drawer for vegetables, manually controllable.
Gross capacity 6.7 cu.ft.

Freezer compartment

No-Frost technology with fast freezing.
Temperature adjustable from 3 °F to -11 °F (-16 °C to -24 °C).
Defrost assistance.
3 freezer drawers, 1 of which extra large.
2 safety glass shelves.
Gross capacity 3 cu.ft.

Planning notes

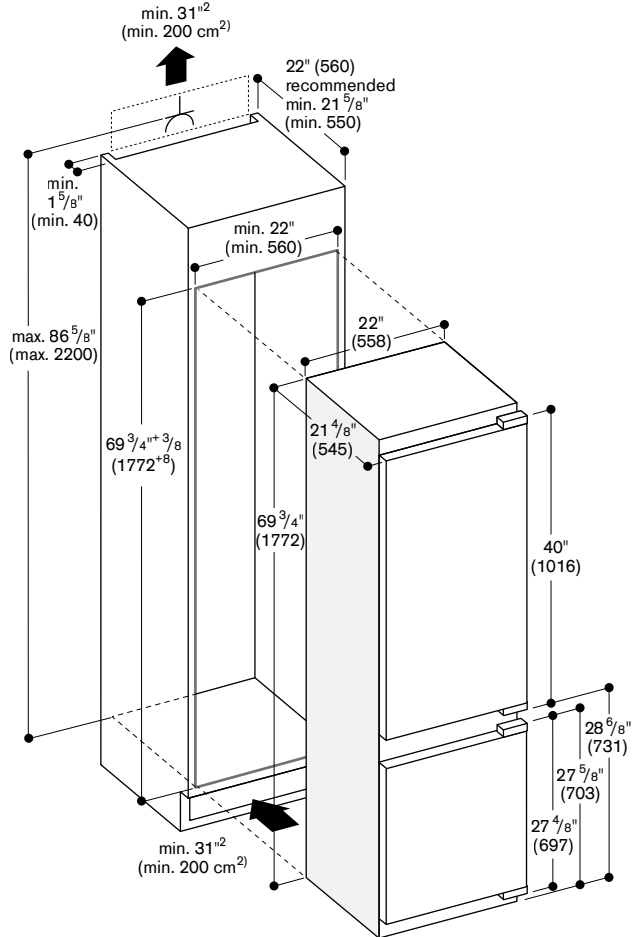
Flat hinge.
Door hinge right, reversible.
Door opening angle of 115°, optional 90° door stop.
Max. door panel weight:
Upper door: 40 lb.
Drawer: 40 lb.

Consumption data

Energy consumption
394 kWh/year.
Noise level 39 dBA.

Rating

Total rating: 1.081 kWh/24 h.
Total Amps: 10 A.
120 V / 60 Hz
Connecting cable 90" with plug.



Numbers indicated
inside parenthesis () = mm