



**400 series two-door bottom freezer**  
**RB 472**

- Stainless steel interior
- Generous LED lighting concept
- Solid aluminum door bins
- Net volume 16 cu.ft.
- Integrated automatic ice maker with fixed water connection in the freezer drawer
- One motorized glass shelf, adjustable when fully loaded
- Fully extendable freezer drawer with practical divider
- ENERGY STAR® certified
- Star-K certified

**Operation**

Electronic precision temperature control with digital temperature display.

**Technical Features**

Dynamic cool air distribution with Multi-Flow Air System.  
 Automatic defrosting with defrost water evaporation.  
 Activated charcoal air filter.  
 Energy-saving vacation mode.  
 Open-door and malfunction warning system.

**Cooling compartment**

Net volume 11 cu.ft.  
 No-frost technology with fast cooling. Temperature adjustable from 35°F to 46°F (+2°C to +8°C).  
 3 safety glass shelves, 1 of which is motorized.  
 1 fully extendable drawer with transparent front.  
 Bright interior lighting with LED sidewall pillars.  
 2 height adjustable door bins, one large gallon door bin.  
 1 door bin with transparent front flap.

**Temperature controlled drawer**

Net volume 0.7 cu.ft.  
 No-frost technology.  
 1 continuous, fully extendable temperature controlled drawer with transparent front

**Freezer compartment**

Net volume 4.8 cu.ft. (136 liters).  
 No-frost technology with fast freezing. Temperature adjustable from 7°F to -9°F (-14°C to -25°C).  
 2 fully extendable drawers.  
 Interior lighting with 1 spot.  
 Freezing capacity 31 lbs./24h.  
 Storage time after malfunction 18h.

**Ice dispenser**

Integrated automatic ice maker in the freezer compartment, with fixed water connection.  
 Ice maker can be switched off independently.  
 Ice cube production approx. 3.3 lbs. (1.7 kg)/24 h.  
 Removable ice storage bin with approx. 6.6 lbs. (3 kg) capacity.

**Planning notes**

Flat hinge.  
 Door hinge right, reversible.  
 Door opening angle of 115°, optional 90° door stop.  
 Max. door panel weight:  
 Door 56 lbs.

**RB 472 701**

Two-door bottom freezer with integrated ice maker fully integrated  
 Width: 30"

**Included accessories**

- 1 ice scoop
- 1 egg holder with lid

**Required installation accessories**

**RA 460 000**

Installation kit for side-by-side installation (for any two columns). Side-by-side kit comes already attached to all RF freezers and RW wine units.

**RA 460 010**

Heating kit if columns are not attached (in separate niches) and less than 6" apart.

**Installation accessories**

**RA 421 712**

Stainless steel door panels with handles  
 Panel thickness 3/4".

**RA 425 110**

Long stainless steel handle for fresh food door, length 44 1/2", with three brackets, drilling distance between each mount 21 1/16".

**RA 425 710**

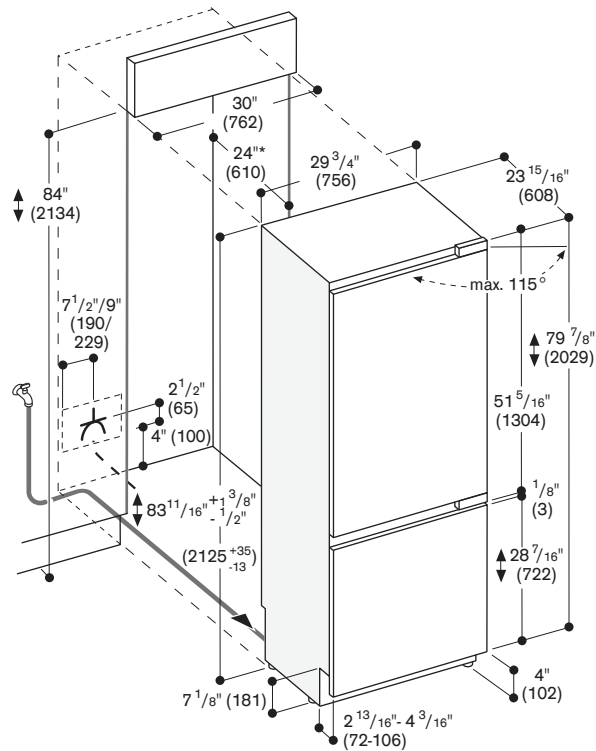
Short stainless steel handle for freezer drawer, length 25 7/8", with two brackets, drilling distance between the mounts 25 1/16".

**RA 461 716**

Ventilation grill  
 Stainless steel.

**RA 460 030**

Connecting element for vertically split fronts (for bottom freezer combination).



The door face dimensions are designed for a maximum gap of 1/8" (3 mm).  
 \* For a flush-mounted appearance, the minimum cut-out depth must be 25". See more details on pages 198 and 205.

Numbers indicated inside parenthesis ( ) = mm

Drawer 22 lbs.

Requires custom toe-kick. Shut-off valve for water connection must be planned next to the appliance and always be accessible.

If the water pressure exceeds 116 psi, connect pressure relief valve between water tap and hose set.

Cold water connection required.

Electrical location 6" above ground in lower left corner of unit.

Water pressure 29 to 116 psi.

For details, please refer to the refrigeration planning guide on pages 195-211.

**Consumption data**

Energy consumption 1.495 kWh/24h; annually: 546 kWh  
 Noise level 43 dBA.

**Rating**

Total rating 0.588 kW.  
 Total Amps: 15 A.  
 120 V / 60 Hz  
 Connecting cable 78 3/4" with plug.  
 Supply hose 118" with 3/4" connection.