



Two-door bottom freezer

RB 472

- Stainless steel interior
- Generous LED lighting concept
- Solid aluminum door bins
- Net volume 16 cu.ft.
- Integrated automatic ice maker with fixed water connection in the freezer drawer
- One motorized glass shelf, adjustable when fully loaded
- Fully extendable freezer drawer with practical divider
- ENERGY STAR® qualified
- Star-K certified

Operation

Electronic precision temperature control with digital temperature display.

Technical Features

Dynamic cool air distribution with Multi-Flow Air System.
Automatic defrosting with defrost water evaporation.
Activated charcoal air filter.
Energy-saving vacation mode.
Open-door and malfunction warning system.

Cooling compartment

Net volume 11 cu.ft.
No-frost technology with fast cooling.
Temperature adjustable from 35°F to 46°F (+2°C to +8°C).
3 safety glass shelves, 1 of which is motorized.
1 fully extendable drawer with transparent front.
Bright interior lighting with LED sidewall pillars.
2 height adjustable door bins, one large gallon door bin.
1 door bin with transparent front flap.

Temperature controlled drawer

Net volume 0.7 cu.ft.
No-frost technology.
1 continuous, fully extendable temperature controlled drawer with transparent front

Freezer compartment

Net volume 4.8 cu.ft. (136 liters).
No-frost technology with fast freezing.
Temperature adjustable from 7°F to -9°F (-14°C to -25°C).
2 fully extendable drawers.
Interior lighting with 1 spot.
Freezing capacity 31 lbs./24h.
Storage time after malfunction 18h.

Ice dispenser

Integrated automatic ice maker in the freezer compartment, with fixed water connection.
Ice maker can be switched off independently.
Ice cube production approx. 3.3 lbs. (1.7 kg)/24 h.
Removable ice storage bin with approx. 6.6 lbs. (3 kg) capacity.

Planning notes

Flat hinge.
Door hinge right, reversible.
Door opening angle of 115°, optional 90° door stop.
Max. door panel weight:
Door 56 lbs.
Drawer 22 lbs.
Requires custom toe-kick.
Shut-off valve for water connection must be planned next to the appliance and always be accessible.

If the water pressure exceeds 116 psi, connect pressure relief valve between water tap and hose set.
Cold water connection required.
Electrical location 6" above ground in lower left corner of unit.
Water pressure 29 to 116 psi.

For details, please refer to the refrigeration planning guide on pages 187-203.

Consumption data

Energy consumption 1.112 kWh/24h; annually: 406 kWh
Noise level 43 dBA.

Rating

Total rating 0.588 kW.
Total Amps: 15 A.
120 V / 60 Hz
Connecting cable 78 3/4" with plug.
Supply hose 118" with 3/4" connection.

RB 472 701

Two-door bottom freezer with integrated ice maker fully integrated
Width: 30"

Included accessories

- 1 ice scoop
- 1 egg holder with lid

Required installation accessories

RA 460 000

Installation kit for side-by-side installation (for any two columns).
Side-by-side kit comes already attached to all RF freezers and RW wine units.

RA 460 010

Heating kit if columns are not attached (in separate niches) and less than 6" apart

Installation accessories

RA 421 712

Stainless steel door panels with handles
Panel thickness 3/4".

RA 425 110

Long stainless steel handle for fresh food door, length 44 1/2", with three brackets, drilling distance between each mount 21 19/16"

RA 425 710

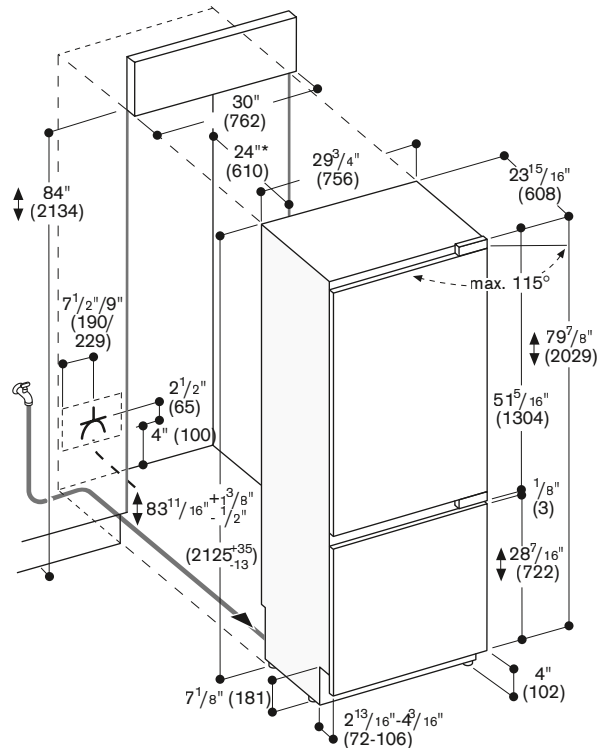
Short stainless steel handle for freezer drawer, length 25 5/8", with two brackets, drilling distance between the mounts 25 1/16"

RA 461 716

Ventilation grill
Stainless steel

RA 460 030

Connecting element for vertically split fronts
(for bottom freezer combination).



The door face dimensions are designed for a maximum gap of 1/8" (3 mm).

* For a flush-mounted appearance, the minimum cut-out depth must be 25". See more details on pages 190 and 197.



Numbers indicated inside parenthesis () = mm