

Applies to CI 491/CI 481/CX 491

Intake air ducting

Induction cooktops have a cooling fan to protect the appliance's electronics from overheating. In the case of insufficient air circulation in the cabinet, the appliance's output will be reduced to prevent electronic damage.

A Air duct behind a cabinet or built-in oven

An open cross-section of a minimum of $1\frac{3}{16}$ " is needed across the full width and full height of the cabinet. Cabinets with a closed bottom also need a respective cross-section in the air duct area.

B Air intake through the cabinet's back wall:

In the cabinet's back wall, plan a recess of at least $1\frac{3}{4}$ " in height from the countertop's bottom line.

The minimum width is

- $21\frac{5}{8}$ " for the Vario VI 414/424 induction cooktop or the CI 481
- $32\frac{5}{16}$ " for the CI 491/CX 491 induction cooktop

Exhaust air ducting with intermediate shelf:

To prevent the content of drawers underneath the cooktop from heating up, the use of an intermediate shelf is recommended, except for 36" cooktops. Width of cut-out at least

- $3\frac{5}{16}$ " for a 30" induction cooktop

- * Does not apply to 36" cooktops
- ** Min. $2\frac{9}{16}$ " for cooktops with a frame and min. $2\frac{3}{4}$ " for cooktops without a frame.

Niche width needs to be at least

- $5\frac{1}{2}$ " for the VI 411/421, induction cooktop
- $3\frac{15}{16}$ " for the CI 481 induction cooktop

- * Does not apply to 36" CI 491/CX 491 induction cooktops
- ** Minimum $2\frac{9}{16}$ " for cooktops with frame (CI 491/CI 481) as well as VI 491 for surface-mounted installation and min. $2\frac{3}{4}$ " for CX 491 as well as for VI 491 as well as for flush installation.

Combination with AT 400 / AL 400

In addition to the measurements mentioned above, the following unobstructed cross sections must be planned between a part of the cabinet and the AT 400 / AL 400 to allow for proper intake and exhaust air circulation for the induction cooktop.

A In front of the air duct

$1\frac{3}{16}$ " distance between the back side of drawers, an oven or the cabinet's interior wall.

B Adjacent to the air duct

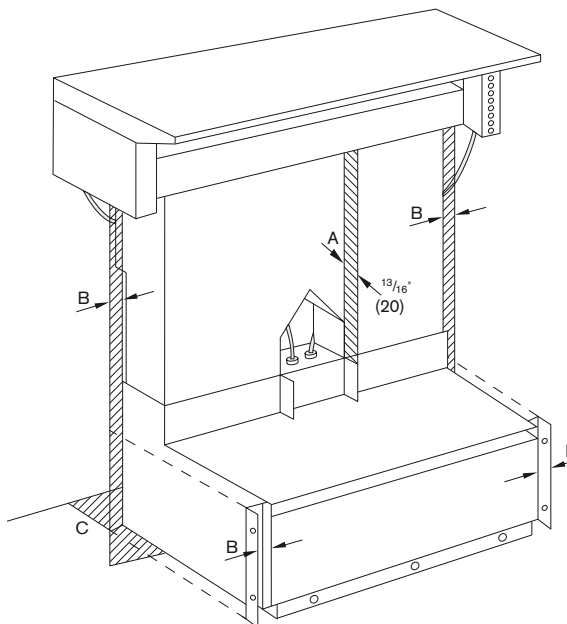
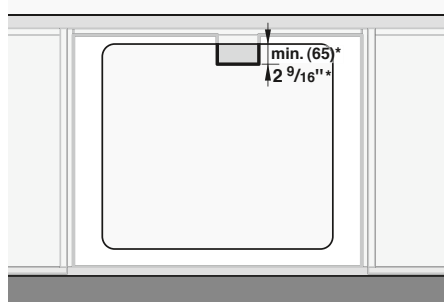
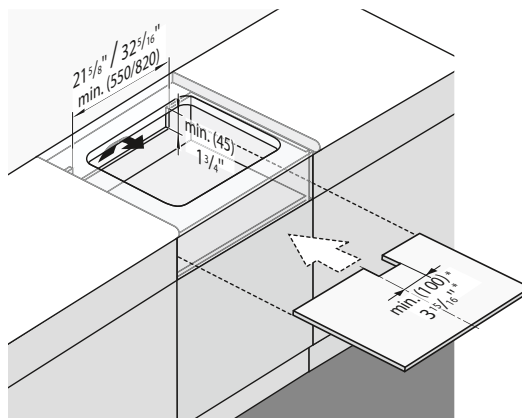
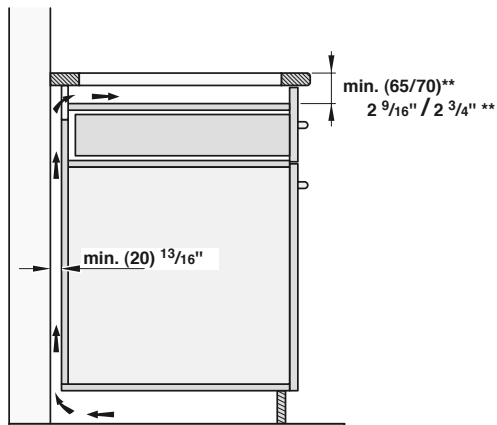
The resulting gap between the air duct and the cabinet's side wall needs to remain open.

C At the housing's rear edge

The resulting cross section between the housing and the wall, as well as between the housing and the bottom, must remain open.

Combination with other appliances

Installation above dishwasher is not permitted.



Numbers indicated inside parenthesis () = mm