

Gaggenau

Installation instructions.....2

Instructions d'installation.....13

Instrucciones de instalación.....25

BM 450/451 710

BM 484/485 710

Combi-microwave oven

Four combi-micro-ondes

Horno-microondas

**SAVE THESE INSTRUCTIONS
FOR FUTURE REFERENCE.**

**CONSERVEZ CETTE NOTICE
D'UTILISATION POUR
RÉFÉRENCE ULTÉRIEURE.**

**GUARDE ESTAS
INSTRUCCIONES PARA
FUTURAS REFERENCIAS.**

Safety Definitions

WARNING

This indicates that death or serious injuries may occur as a result of non-observance of this warning.

CAUTION

This indicates that minor or moderate injuries may occur as a result of non-observance of this warning.

NOTICE: This indicates that damage to the appliance or property may occur as a result of non-compliance with this advisory.

Note: This alerts you to important information and/or tips.

Protective earth (ground)



To identify any terminal which is intended for connection to an external conductor for protection against electric shock in case of a fault, or the terminal of a protective earth (ground) electrode.



Heavy load

Requires 2 people to carry

Définitions de Sécurité

AVERTISSEMENT

Le non-respect de cet avertissement peut entraîner la mort ou des blessures graves.

ATTENTION

Le non-respect de cet avertissement peut entraîner des blessures mineures ou modérées.

AVIS : Vous indique que des dommages à l'appareil ou aux biens peuvent survenir si vous ne respectez pas cet avertissement.

Remarque : Vous signale des informations importantes ou des conseils.

Terre de protection



Pour marquer les bornes destinées à être raccordées à un conducteur de protection extérieur contre les chocs électriques en cas de défaut d'isolement, ou pour marquer la borne de la terre de protection.



Charge lourde

Nécessite 2 personnes pour le déplacement.



IMPORTANT SAFETY INSTRUCTIONS

READ ALL INSTRUCTIONS BEFORE USING THE APPLIANCE



CONSIGNES DE SÉCURITÉ IMPORTANTES

LISEZ TOUTES LES INSTRUCTIONS AVANT D'UTILISER L'APPAREIL

SAVE THESE INSTRUCTIONS FOR FUTURE REFERENCE.

IMPORTANT: SAVE THESE INSTRUCTIONS FOR THE LOCAL ELECTRICAL INSPECTOR'S USE.

INSTALLER: LEAVE THESE INSTRUCTIONS WITH THE APPLIANCE AFTER INSTALLATION IS COMPLETE.

WARNING

If the information in this manual is not followed exactly, fire or shock may result causing property damage or personal injury.

WARNING

Do not repair, replace or remove any part of the appliance unless specifically recommended in the manuals. Improper installation, service or maintenance can cause injury or property damage. Refer to this manual for guidance. All non-user serviceable functions should be done by a qualified technician.

CONSERVEZ CETTE NOTICE D'UTILISATION POUR RÉFÉRENCE ULTÉRIEURE.

IMPORTANT : CONSERVER CES INSTRUCTIONS POUR L'USAGE DE L'INSPECTEUR ÉLECTRIQUE LOCAL.

INSTALLATEUR : LAISSEZ CES INSTRUCTIONS AVEC L'APPAREIL APRÈS UNE FOIS L'INSTALLATION TERMINÉE.

AVERTISSEMENT

Si l'information de ce guide n'est pas suivie exactement, il peut en résulter un incendie ou un choc électrique causant des dommages à la propriété, des blessures ou la mort.

AVERTISSEMENT

Ne pas réparer, remplacer ou retirer toute pièce de l'appareil à moins que cela ne soit spécifiquement recommandé par les manuels. L'installation, l'entretien ou un service inadéquat pourrait causer des blessures ou des dégâts matériels. Consulter ce manuel pour les directives d'utilisation. Toutes les fonctions qui ne peuvent pas être entretenues par l'utilisateur devraient être entretenues par un technicien qualifié.



IMPORTANT SAFETY INSTRUCTIONS

READ ALL INSTRUCTIONS BEFORE USING THE APPLIANCE



CONSIGNES DE SÉCURITÉ IMPORTANTES

LISEZ TOUTES LES INSTRUCTIONS AVANT D'UTILISER L'APPAREIL

Microwave Safety

PRECAUTIONS TO BE OBSERVED BEFORE AND DURING SERVICING TO AVOID POSSIBLE EXPOSURE TO EXCESSIVE MICROWAVE ENERGY

- Do not operate or allow the oven to be operated with the door open.
- Make the following safety checks on all ovens to be serviced before activating the magnetron or other microwave source, and make repairs as necessary:
 - 1 Interlock operation
 - 2 Proper door closing
 - 3 Seal and sealing surfaces (arcing, wear, and other damage)
 - 4 Damage to or loosening of hinges and latches
 - 5 Evidence of dropping or abuse
- Before turning on microwave power for any service test or inspection within the microwave generating compartments, check the magnetron, wave guide or transmission line, and cavity for proper alignment, integrity, and connection.
- Any defective or misadjusted components in the interlock, monitor, door seal, and microwave generation and transmission systems shall be repaired, replaced, or adjusted by procedures described in this manual before the oven is released to the owner.
- A microwave leakage check to verify compliance with the Federal Performance Standard should be performed on each oven prior to release to the owner.

Sécurité des micro-ondes

PRÉCAUTIONS À SUIVRE AVANT ET PENDANT L'ENTRETIEN POUR ÉVITER TOUT RISQUE D'EXPOSITION AUX MICRO-ONDES

- Ne pas utiliser ou ne pas permettre l'utilisation du four avec la porte ouverte.
- Effectuer les vérifications de sécurité suivantes sur tous les fours faisant l'objet d'un entretien avant d'activer la magnétron ou autre source micro-ondes, et effectuer les réparations selon le besoin :
 - 1 Fonctionnement de l'interverrouillage
 - 2 Fermeture appropriée des portes
 - 3 Joint d'étanchéité et surfaces étanches (production d'arcs électriques, usure et autres dommages)
 - 4 Dommages aux charnières et loquet ou leur desserrement
 - 5 Signe de chute ou d'abus
- Avant de mettre sous tension le micro-ondes pour tout test de service ou inspection dans les compartiments générateurs de micro-ondes, vérifier le magnétron, le guide d'onde ou la ligne de transmission, et la cavité pour l'alignement, intégrité, raccordement approprié.
- Tout composant défectueux ou mal réglé dans l'interverrouillage, moniteur, joint d'étanchéité de porte et système de génération et de transmission de micro-ondes doit être réparé, remplacé ou réglé selon les procédures décrites dans ce manuel avant que le four ne puisse être remis à son propriétaire.
- Une vérification de fuite de micro-ondes pour vérifier la conformité avec les normes de rendement fédérales doit être effectuée sur chaque four avant sa remise au propriétaire.



IMPORTANT SAFETY INSTRUCTIONS

READ ALL INSTRUCTIONS BEFORE USING THE APPLIANCE



CONSIGNES DE SÉCURITÉ IMPORTANTES

LISEZ TOUTES LES INSTRUCTIONS AVANT D'UTILISER L'APPAREIL

Appliance Handling Safety

CAUTION



- Unit is heavy and requires at least two people or proper equipment to move.
- Do not lift appliance by door handle.
- Hidden surfaces may have sharp edges. Use caution when reaching behind or under appliance.

Electric Safety

WARNING

Before installing, turn power OFF at the service panel. Lock service panel to prevent power from being turned ON accidentally.

If required by the National Electrical Code (or Canadian Electrical Code), this appliance must be installed on a separate branch circuit.

Installer – show the owner the location of the circuit breaker or fuse. Mark it for easy reference.

Before installing, turn power OFF at the service panel. Lock service panel to prevent power from being turned ON accidentally.

Be sure your appliance is properly installed and grounded by a qualified technician. Installation, electrical connections and grounding must comply with all local and regional codes.

Sécurité de manipulation de l'appareil

ATTENTION



- L'unité est lourde et son déplacement exige au moins deux personnes ou encore un équipement approprié.
- Ne pas soulever l'appareil par la poignée de porte.
- Des parties cachées pourraient avoir des rebords tranchants. Redoublez de vigilance quand vous passez la main derrière ou sous l'appareil.

Sécurité électrique

AVERTISSEMENT

Avant l'installation, couper le courant au panneau de service. Verrouiller le panneau de service pour éviter que le courant ne soit accidentellement rétabli.

S'il y a lieu, conformément au Code national de l'électricité (ou au Code canadien de l'électricité), cet appareil doit être installé sur un circuit de dérivation séparé.

Installateur – Indiquer au propriétaire l'emplacement du disjoncteur ou du fusible. Identifier sa position pour pouvoir le retrouver facilement.

Avant l'installation, mettre l'appareil hors service au panneau de service. Verrouiller le panneau d'entrée d'électricité pour éviter que le courant ne soit accidentellement rétabli.

Assurez-vous que l'appareil est correctement installé et mis à la terre par un technicien qualifié.

L'installation, les raccordements électriques et la mise à la terre doivent être conformes avec tous les codes locaux et régionaux applicables.

IMPORTANT SAFETY INSTRUCTIONS

READ ALL INSTRUCTIONS BEFORE USING THE APPLIANCE

CONSIGNES DE SÉCURITÉ IMPORTANTES

LISEZ TOUTES LES INSTRUCTIONS AVANT D'UTILISER L'APPAREIL

GROUNDING INSTRUCTIONS

This appliance must be grounded. Grounding reduces the risk of electric shock by providing a safe pathway for electric current in the event of a short circuit.

The appliance must be connected to a grounded, metallic, permanent wiring system, or an equipment grounding conductor should be run with the circuit conductors and connected to the equipment grounding terminal or lead on the appliance.

WARNING

Improper grounding can result in a risk of electric shock. Consult a qualified electrician if the grounding instructions are not completely understood, or if doubt exists as to whether the appliance is properly grounded.

Related Equipment Safety

Remove all tape and packaging before using the appliance. Destroy the packaging after unpacking the appliance. Never allow children to play with packaging material.

Never modify or alter the construction of the appliance. For example, do not remove leveling legs, panels, wire covers or anti-tip brackets/screws.

Centre the appliance. There must be an air gap of $\frac{3}{16}$ " (5 mm) between the appliance and adjacent cabinets.

Safety Codes and Standards

This appliance complies with the latest version of one or more of the following standards:

- CAN/CSA C22.2 No. 150 - Microwave Ovens
- UL 923 - Microwave Cooking Appliances

It is the responsibility of the installer to determine if additional requirements and/or standards apply to specific installations.

SAVE THESE INSTRUCTIONS.

INSTRUCTIONS DE MISE À LA TERRE

Cet appareil doit être mis à la terre. En cas de court-circuit électrique, la mise à la terre réduira le risque de choc électrique en offrant au courant électrique un fil d'évacuation.

Cet appareil doit être raccordé à un système de câblage métallique permanent avec mise à la terre ou un conducteur de mise à terre devrait être utilisé avec les conducteurs de circuit et raccordé au terminal de mise à la terre ou à la conduite sur l'appareil.

AVERTISSEMENT

Une mise à la terre inadéquate peut entraîner un risque d'électrocution. Consultez un électricien qualifié si vous ne comprenez pas parfaitement les instructions de mise à la terre ou si vous avez des doutes quant à la qualité de mise à la terre.

Sécurité apparentée concernant l'équipement

Enlever le ruban adhésif et l'emballage avant d'utiliser l'appareil. Détruire l'emballage après avoir déballé l'appareil. Ne jamais laisser les enfants jouer avec les matériaux de conditionnement.

Ne jamais modifier ni altérer la configuration de l'appareil. Par exemple, ne pas retirer les pieds de nivellement, les panneaux, les couvercles de câblage ou les fixations/vis antibasculement.

Centrez l'appareil. Il doit y avoir un espace d'air de $\frac{3}{16}$ po (5 mm) entre l'appareil et les caissons adjacents.

Codes et normes de sécurité

Cet appareil est conforme à la version la plus récente de l'une ou plusieurs des normes suivantes :

- CAN/CSA C22.2 No. 150 - Fours à micro-ondes (Microwave Ovens)
- UL 923 - Appareils de cuisson à micro-ondes (Microwave Cooking Appliances)

Il incombe à l'installateur de déterminer si des exigences et/ou normes additionnelles s'appliquent pour des installations spécifiques.

CONSERVEZ CES INSTRUCTIONS.

Before You Begin

Tools and Parts Needed

- Torx head screwdriver
- 1/8" drill bit and drill
- Measuring tape

Parts Included

- Microwave oven
- 2 Torx screws



Power Requirements

This appliance requires connection to a dedicated 208/240V branch protected supply fitted with a suitably approved 20A circuit breaker. It must be properly grounded in accordance with all applicable codes. The product is supplied with 1.8 m of flying cables in a flexible conduit which are factory fitted. The colors of the conductors are:

- L1: Red
- L2: Black
- N: White
- E: Green/Yellow

Planning notes

Door hinge not interchangeable.

Distance from furniture body to door front $1\frac{7}{8}$ " (47 mm).

Distance from furniture body to outer edge of door handle $3\frac{3}{4}$ " (94 mm) after retrofitting the handle (special accessory).

Pay attention to the front protrusion, possibly including the door handle, for opening drawers at the sides.

When planning a corner solution, pay attention to the door opening angle of at least 90° .

Preparing kitchen units

Kitchen units must be temperature-resistant up to 195°F (90°C) and adjoining furniture frontages up to 160°F (75°C).

Cut recesses on the furniture before inserting the appliance. Remove any shavings, as these can affect the operation of electrical components.

Refer to the installation drawings on the following pages.

Secure unsecured furniture items to the wall using a commercially available bracket.

Only install the appliance so high that accessories can be removed with ease.

Dimensions and Cabinet Requirements

General Cabinet Requirements

Cabinet requirements vary depending on the model to be installed. Please consult the section **Dimensions** for the details pertaining to your particular model.

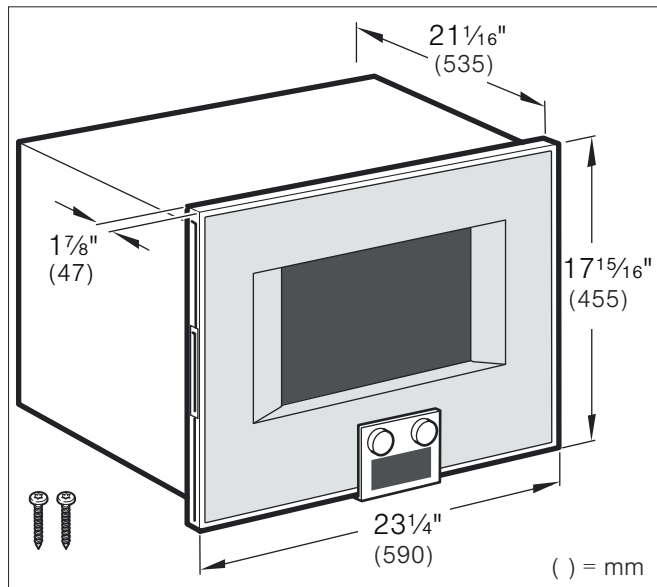
All models require:

- 1/4" (6.4 mm) space between the side of the appliance and a cabinet door when installed at the end of a cabinet run.
- The cabinet base must be flat and capable of supporting the weight of your appliance when in use. See the appropriate weight for your model in the **Dimensions** section pertaining to your particular model.

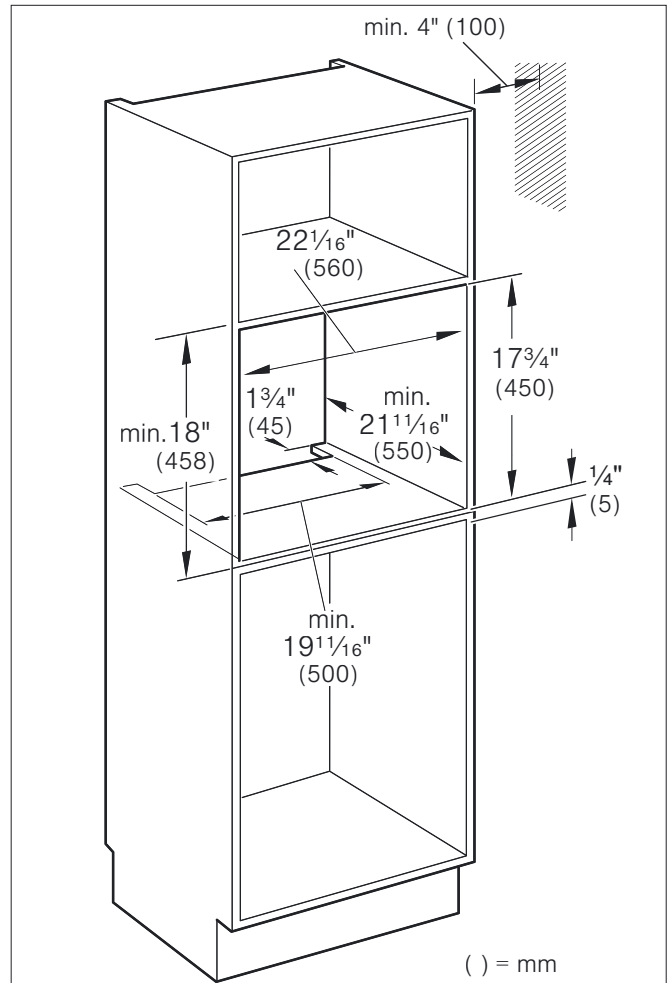
Dimensions for 24" Wall-Inserted Units

BM 450/451-710

Appliance Dimensions



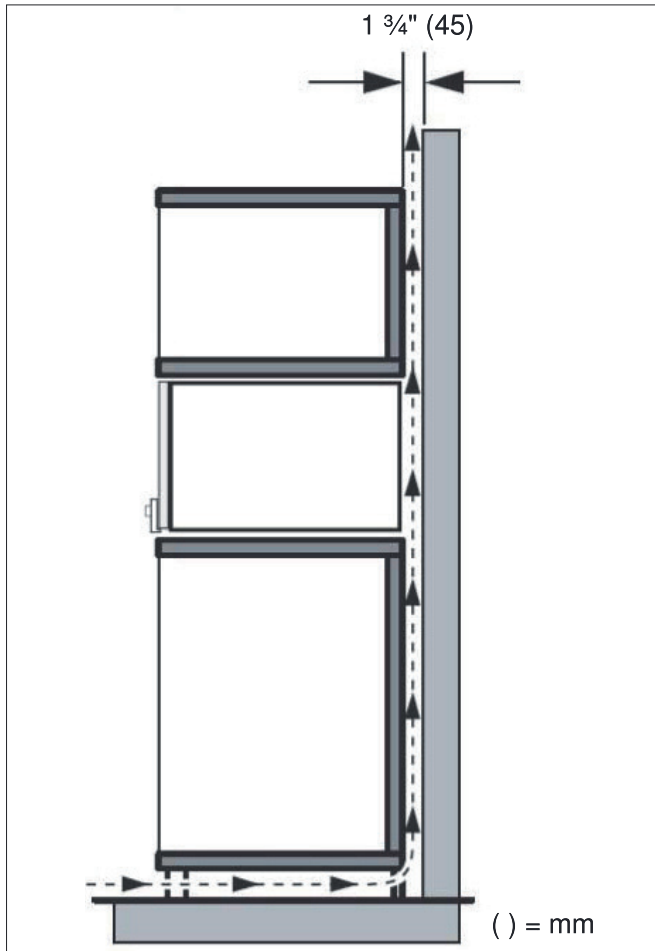
Cabinet Dimensions



NOTICE: The cabinet base must be flat and capable of supporting a weight of at least 146 lbs (66.2 kg).

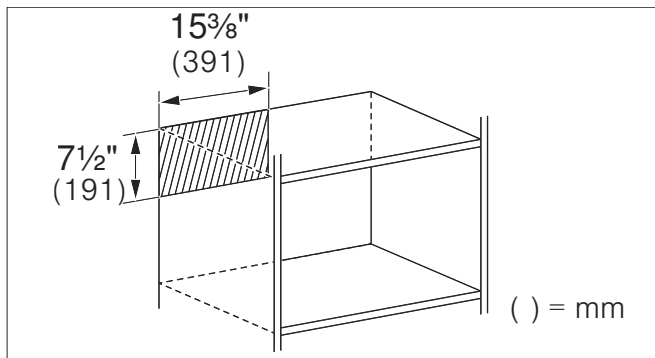
Ventilation requirements

- Ventilation cut-out in the built-in cupboard's intermediate shelf: at least 1¾ in to 1.65 ft (45 x 500 mm).
- Ensure that air can circulate behind the appliance by maintaining a minimum distance of 1¾ in (45 mm) between the furniture's backwall and the wall.



Outlet Area

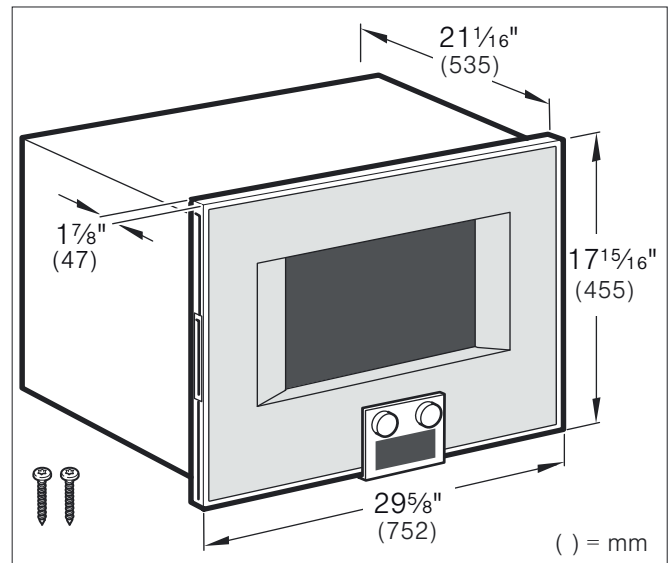
The outlet can be located anywhere within the shaded area. Anywhere within the shaded area the minimal distance between the appliance and the wall is 1¾ in (45 mm).



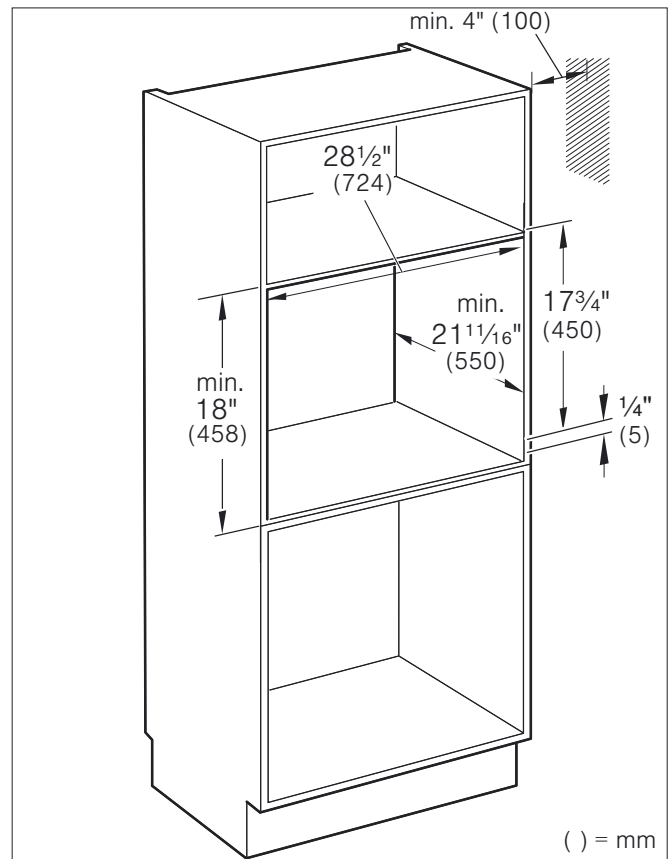
Dimensions for 30" Wall-Inserted Units

BM 484/485-710

Appliance Dimensions



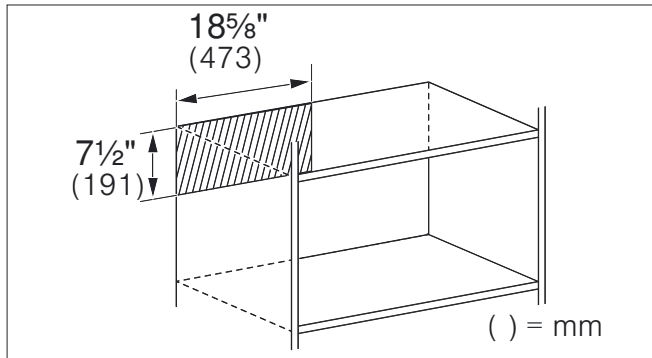
Cabinet Dimensions



NOTICE: The cabinet base must be flat and capable of supporting a weight of at least 159 lbs (72 kg).

Outlet Area

The outlet can be located anywhere within the shaded area. Anywhere within the shaded area the minimal distance between the appliance and the wall is $1\frac{3}{4}$ in (45 mm).



Removing Packaging



NOTICE: To prevent damage to your floor keep the unit in its packaging base until ready to be placed in the cabinet opening. Do not slide the unit across the flooring.

Different models use different packaging materials. Actual brackets may look differently. Bracket remains in packaging base.

- 1 Cut straps on outside of box.
- 2 Remove cardboard box.
- 3 Remove all top and side cardboard and Styrofoam braces.
- 4 Place microwave oven in front of cabinets where it is to be installed.

Install Appliance



Note: The appliance is heavy. It is advisable to install it with a second person.

NOTICE: Before installing the appliance, be sure to verify the cabinet dimensions and electrical connections.

Electrical Installation

⚠ WARNING

The electrical connection of the appliance must be carried out by a qualified electrician in accordance with local and regional safety codes.

⚠ WARNING

This product will only operate when L1 and L2 are powered up simultaneously. If this does not occur, then an E300 error will be displayed. If possible, this appliance should be installed with a branch circuit breaker to allow L1 and L2 to be powered up simultaneously. If this is not practicable, then 2 single pole breakers can be used, but L2 must be powered up before L1.

Model	Connection	Circuit Requirements	
BM 450 710	4 wire conduit	208 V,	20 Amps
BM 451 710	cable	60 Hz	
BM 484 710		or	
BM 485 710		240 V,	20 Amps
		60 Hz	

Install a suitable conduit box (not included). The conduit connector must be used to correctly attach the conduit to the junction box.

All 4 wires must be connected, regardless if a 3 or 4 wire connection is used.

⚠ WARNING

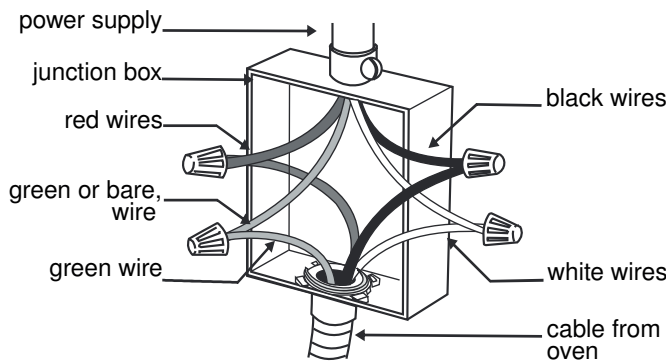
Local codes may vary; installation, electrical connections and grounding must comply with all applicable local codes.

If local codes permit grounding through the electrical supply neutral, connect both the white neutral wire and the green ground wire from the oven to the neutral electrical supply wire.

The four-wire connection is preferred, but where local codes permit, the three wire connection is also acceptable.

Four-wire Connection

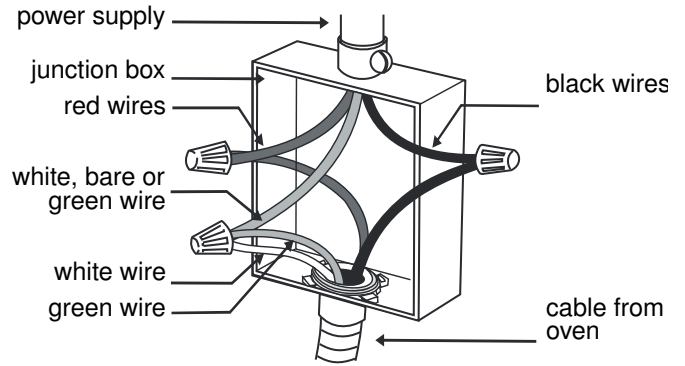
Ungrounded Neutral



- Connect the red oven wire to the red electrical supply wire (hot wire).
- Connect the black oven wire to the black electrical supply wire (hot wire).
- Connect the white neutral oven wire to the white neutral (not bare or green ground) electrical supply wire.
- Connect the green ground oven wire to the bare or green ground electrical supply wire.

Three-wire Connection

Grounded Neutral



- Connect red wire from oven to red wire in junction box.
- Connect black wire from oven to black wire in junction box.
- Connect both green ground wire and white wire from oven to white, green or bare neutral wire in junction box.

The conduit cable, where connected at the oven, swivels.

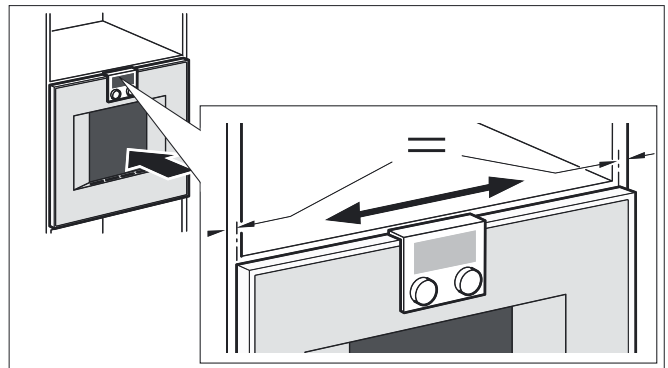
To maintain serviceability, the flex conduit must not be shortened and should be routed to permit temporary removal of the oven.

Mount to Cabinet

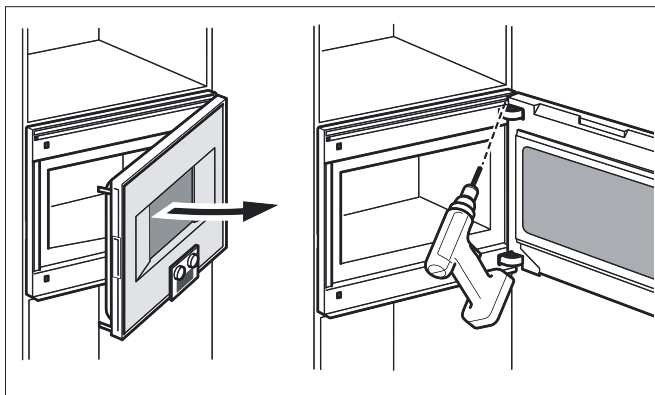


If there is no fitted shelf above the appliance, secure the appliance against tipping over when the door is opened.

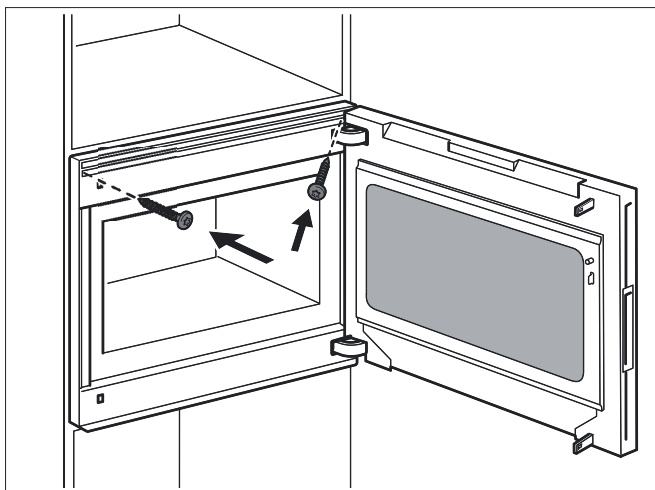
- 1 Do not kink or trap the connecting cable, or route it over sharp edges.
- 2 Centre the appliance.
There must be an air gap of $\frac{3}{16}$ " (5 mm) between the appliance and adjacent cabinets.



- 3 Using a spirit level, adjust the appliance so that it is perfectly level.
- 4 Open the appliance door and predrill the holes for the screws.



- 5 Screw the appliance into place.



Check the Installation

⚠ WARNING

Before you connect an electrical cord for permanent connection or turn on power supply, make sure all controls are in the OFF position.

Switch on the circuit breaker.

Verify that elements function properly.

Removal

- 1 Disconnect the appliance from the power supply.
- 2 Undo the fastening screws.
- 3 Raise the appliance slightly and pull it out completely.

Customer service

If your appliance needs repairs, our customer service is there for you. We work hard to help solve problems quickly and without unnecessary service calls, getting your appliance back up and running correctly in the least amount of time possible.

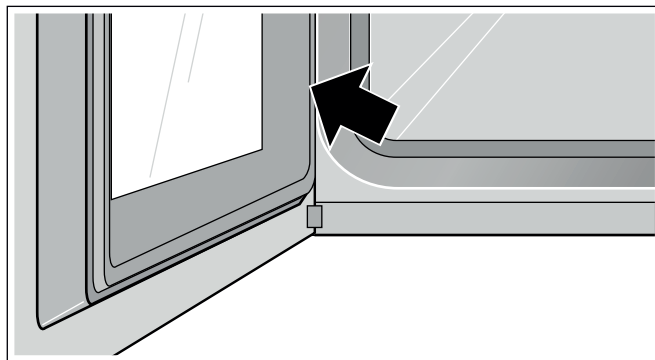
When you call, please indicate the product number (E-Nr.) and serial number (FD-Nr.) so that we can support you in a qualified manner. You will find the type plate with these numbers on the bottom of the appliance. To avoid having to search for a long time when you need it, you can enter your appliance data and the customer support telephone number here.

E-Nr.

FD-Nr.

Customer Service ☎

Please read the use and care instructions provided with your appliance. Failure to do so may result in an error in using the appliance. This could result in a service call that instead of fixing a mechanical issue is only needed for customer education. Such calls are not covered by the appliance warranty.



Please find the contact data of all countries in the enclosed customer service list.

To book an engineer visit and product advice

USA 877 442 4436
toll-free

CANADA 877 442 4436
toll-free

You can rely on the manufacturer's expertise. Rest assured that the repair will be handled by trained service technicians who have the original replacement parts for your appliance.

Définitions de Sécurité

AVERTISSEMENT

Le non-respect de cet avertissement peut entraîner la mort ou des blessures graves.

ATTENTION

Le non-respect de cet avertissement peut entraîner des blessures mineures ou modérées.

AVIS : Vous indique que des dommages à l'appareil ou aux biens peuvent survenir si vous ne respectez pas cet avertissement.

Remarque : Vous signale des informations importantes ou des conseils.

Terre de protection



Pour marquer les bornes destinées à être raccordées à un conducteur de protection extérieur contre les chocs électriques en cas de défaut d'isolement, ou pour marquer la borne de la terre de protection.



Charge lourde

Nécessite 2 personnes pour le déplacement.

Safety Definitions

WARNING

This indicates that death or serious injuries may occur as a result of non-observance of this warning.

CAUTION

This indicates that minor or moderate injuries may occur as a result of non-observance of this warning.

NOTICE: This indicates that damage to the appliance or property may occur as a result of non-compliance with this advisory.

Note: This alerts you to important information and/or tips.

Protective earth (ground)



To identify any terminal which is intended for connection to an external conductor for protection against electric shock in case of a fault, or the terminal of a protective earth (ground) electrode.



Heavy load

Requires 2 people to carry

⚠ CONSIGNES DE SÉCURITÉ IMPORTANTES
LISEZ TOUTES LES INSTRUCTIONS AVANT D'UTILISER L'APPAREIL

⚠ IMPORTANT SAFETY INSTRUCTIONS
READ ALL INSTRUCTIONS BEFORE USING THE APPLIANCE

**CONSERVEZ CETTE NOTICE
D'UTILISATION POUR
RÉFÉRENCE ULTÉRIEURE.**

IMPORTANT : CONSERVER CES INSTRUCTIONS
POUR L'USAGE DE L'INSPECTEUR ÉLECTRIQUE
LOCAL.

INSTALLATEUR : LAISSEZ CES INSTRUCTIONS
AVEC L'APPAREIL APRÈS UNE FOIS
L'INSTALLATION TERMINÉE.

AVERTISSEMENT

Si l'information de ce guide n'est pas suivie
exactement, il peut en résulter un incendie ou un choc
électrique causant des dommages à la propriété, des
blessures ou la mort.

AVERTISSEMENT

Ne pas réparer, remplacer ou retirer toute pièce de
l'appareil à moins que cela ne soit spécifiquement
recommandé par les manuels. L'installation, l'entretien
ou un service inadéquat pourrait causer des blessures
ou des dégâts matériels. Consulter ce manuel pour
les directives d'utilisation. Toutes les fonctions qui ne
peuvent pas être entretenues par l'utilisateur
devraient être entretenues par un technicien qualifié.

**SAVE THESE INSTRUCTIONS
FOR FUTURE REFERENCE.**

IMPORTANT: SAVE THESE INSTRUCTIONS FOR
THE LOCAL ELECTRICAL INSPECTOR'S USE.

INSTALLER: LEAVE THESE INSTRUCTIONS WITH
THE APPLIANCE AFTER INSTALLATION IS
COMPLETE.

WARNING

If the information in this manual is not followed
exactly, fire or shock may result causing property
damage or personal injury.

WARNING

Do not repair, replace or remove any part of the
appliance unless specifically recommended in the
manuals. Improper installation, service or
maintenance can cause injury or property damage.
Refer to this manual for guidance. All non-user
serviceable functions should be done by a qualified
technician.

CONSIGNES DE SÉCURITÉ IMPORTANTES

LISEZ TOUTES LES INSTRUCTIONS AVANT D'UTILISER L'APPAREIL

IMPORTANT SAFETY INSTRUCTIONS

READ ALL INSTRUCTIONS BEFORE USING THE APPLIANCE

Sécurité des micro-ondes

PRÉCAUTIONS À SUIVRE AVANT ET PENDANT L'ENTRETIEN POUR ÉVITER TOUT RISQUE D'EXPOSITION AUX MICRO-ONDES

- Ne pas utiliser ou ne pas permettre l'utilisation du four avec la porte ouverte.
- Effectuer les vérifications de sécurité suivantes sur tous les fours faisant l'objet d'un entretien avant d'activer la magnétron ou autre source micro-ondes, et effectuer les réparations selon le besoin :
 - 1 Fonctionnement de l'interverrouillage
 - 2 Fermeture appropriée des portes
 - 3 Joint d'étanchéité et surfaces étanches (production d'arcs électriques, usure et autres dommages)
 - 4 Dommages aux charnières et loquet ou leur desserrement
 - 5 Signe de chute ou d'abus
- Avant de mettre sous tension le micro-ondes pour tout test de service ou inspection dans les compartiments générateurs de micro-ondes, vérifier le magnétron, le guide d'onde ou la ligne de transmission, et la cavité pour l'alignement, intégrité, raccordement approprié.
- Tout composant défectueux ou mal réglé dans l'interverrouillage, moniteur, joint d'étanchéité de porte et système de génération et de transmission de micro-ondes doit être réparé, remplacé ou réglé selon les procédures décrites dans ce manuel avant que le four ne puisse être remis à son propriétaire.
- Une vérification de fuite de micro-ondes pour vérifier la conformité avec les normes de rendement fédérales doit être effectuée sur chaque four avant sa remise au propriétaire.

Microwave Safety

PRECAUTIONS TO BE OBSERVED BEFORE AND DURING SERVICING TO AVOID POSSIBLE EXPOSURE TO EXCESSIVE MICROWAVE ENERGY

- Do not operate or allow the oven to be operated with the door open.
- Make the following safety checks on all ovens to be serviced before activating the magnetron or other microwave source, and make repairs as necessary:
 - 1 Interlock operation
 - 2 Proper door closing
 - 3 Seal and sealing surfaces (arcing, wear, and other damage)
 - 4 Damage to or loosening of hinges and latches
 - 5 Evidence of dropping or abuse
- Before turning on microwave power for any service test or inspection within the microwave generating compartments, check the magnetron, wave guide or transmission line, and cavity for proper alignment, integrity, and connection.
- Any defective or misadjusted components in the interlock, monitor, door seal, and microwave generation and transmission systems shall be repaired, replaced, or adjusted by procedures described in this manual before the oven is released to the owner.
- A microwave leakage check to verify compliance with the Federal Performance Standard should be performed on each oven prior to release to the owner.

CONSIGNES DE SÉCURITÉ IMPORTANTES LISEZ TOUTES LES INSTRUCTIONS AVANT D'UTILISER L'APPAREIL

IMPORTANT SAFETY INSTRUCTIONS READ ALL INSTRUCTIONS BEFORE USING THE APPLIANCE

Sécurité de manipulation de l'appareil

ATTENTION



- L'unité est lourde et son déplacement exige au moins deux personnes ou encore un équipement approprié.
- Ne pas soulever l'appareil par la poignée de porte.
- Des parties cachées pourraient avoir des rebords tranchants. Redoublez de vigilance quand vous passez la main derrière ou sous l'appareil.

Sécurité électrique

AVERTISSEMENT

Avant l'installation, couper le courant au panneau de service. Verrouiller le panneau de service pour éviter que le courant ne soit accidentellement rétabli.

S'il y a lieu, conformément au Code national de l'électricité (ou au Code canadien de l'électricité), cet appareil doit être installé sur un circuit de dérivation séparé.

Installateur – Indiquer au propriétaire l'emplacement du disjoncteur ou du fusible. Identifier sa position pour pouvoir le retrouver facilement.

Avant l'installation, mettre l'appareil hors service au panneau de service. Verrouiller le panneau d'entrée d'électricité pour éviter que le courant ne soit accidentellement rétabli.

Assurez-vous que l'appareil est correctement installé et mis à la terre par un technicien qualifié.

L'installation, les raccordements électriques et la mise à la terre doivent être conformes avec tous les codes locaux et régionaux applicables.

Appliance Handling Safety

CAUTION



- Unit is heavy and requires at least two people or proper equipment to move.
- Do not lift appliance by door handle.
- Hidden surfaces may have sharp edges. Use caution when reaching behind or under appliance.

Electric Safety

WARNING

Before installing, turn power OFF at the service panel. Lock service panel to prevent power from being turned ON accidentally.

If required by the National Electrical Code (or Canadian Electrical Code), this appliance must be installed on a separate branch circuit.

Installer – show the owner the location of the circuit breaker or fuse. Mark it for easy reference.

Before installing, turn power OFF at the service panel. Lock service panel to prevent power from being turned ON accidentally.

Be sure your appliance is properly installed and grounded by a qualified technician. Installation, electrical connections and grounding must comply with all local and regional codes.

CONSIGNES DE SÉCURITÉ IMPORTANTES LISEZ TOUTES LES INSTRUCTIONS AVANT D'UTILISER L'APPAREIL

IMPORTANT SAFETY INSTRUCTIONS READ ALL INSTRUCTIONS BEFORE USING THE APPLIANCE

INSTRUCTIONS DE MISE À LA TERRE

Cet appareil doit être mis à la terre. En cas de court-circuit électrique, la mise à la terre réduira le risque de choc électrique en offrant au courant électrique un fil d'évacuation.

Cet appareil doit être raccordé à un système de câblage métallique permanent avec mise à la terre ou un conducteur de mise à terre devrait être utilisé avec les conducteurs de circuit et raccordé au terminal de mise à la terre ou à la conduite sur l'appareil.

AVERTISSEMENT

Une mise à la terre inadéquate peut entraîner un risque d'électrocution. Consultez un électricien qualifié si vous ne comprenez pas parfaitement les instructions de mise à la terre ou si vous avez des doutes quant à la qualité de mise à la terre.

Sécurité apparentée concernant l'équipement

Enlever le ruban adhésif et l'emballage avant d'utiliser l'appareil. Détruire l'emballage après avoir déballé l'appareil. Ne jamais laisser les enfants jouer avec les matériaux de conditionnement.

Ne jamais modifier ni altérer la configuration de l'appareil. Par exemple, ne pas retirer les pieds de nivellement, les panneaux, les couvercles de câblage ou les fixations/vis antibasculement.

Centrez l'appareil. Il doit y avoir un espace d'air de $\frac{3}{16}$ po (5 mm) entre l'appareil et les caissons adjacents.

Codes et normes de sécurité

Cet appareil est conforme à la version la plus récente de l'une ou plusieurs des normes suivantes :

- CAN/CSA C22.2 No. 150 - Fours à micro-ondes (Microwave Ovens)
- UL 923 - Appareils de cuisson à micro-ondes (Microwave Cooking Appliances)

Il incombe à l'installateur de déterminer si des exigences et/ou normes additionnelles s'appliquent pour des installations spécifiques.

CONSERVEZ CES INSTRUCTIONS.

GROUNDING INSTRUCTIONS

This appliance must be grounded. Grounding reduces the risk of electric shock by providing a safe pathway for electric current in the event of a short circuit.

The appliance must be connected to a grounded, metallic, permanent wiring system, or an equipment grounding conductor should be run with the circuit conductors and connected to the equipment grounding terminal or lead on the appliance.

WARNING

Improper grounding can result in a risk of electric shock. Consult a qualified electrician if the grounding instructions are not completely understood, or if doubt exists as to whether the appliance is properly grounded.

Related Equipment Safety

Remove all tape and packaging before using the appliance. Destroy the packaging after unpacking the appliance. Never allow children to play with packaging material.

Never modify or alter the construction of the appliance. For example, do not remove leveling legs, panels, wire covers or anti-tip brackets/screws.

Centre the appliance. There must be an air gap of $\frac{3}{16}$ " (5 mm) between the appliance and adjacent cabinets.

Safety Codes and Standards

This appliance complies with the latest version of one or more of the following standards:

- CAN/CSA C22.2 No. 150 - Microwave Ovens
- UL 923 - Microwave Cooking Appliances

It is the responsibility of the installer to determine if additional requirements and/or standards apply to specific installations.

SAVE THESE INSTRUCTIONS.

Avant de commencer

Outils et pièces nécessaires

- Tournevis à tête Torx
- Mèche de 1/8 po (3 mm) et perceuse
- Ruban à mesurer

Pièces comprises

- Four à micro-ondes
- 2 vix Torx



Exigences électriques

Cet appareil nécessite un raccordement à un circuit dédié protégé de 208/240 V avec un disjoncteur proprement approuvé de 20 A. Le circuit doit être correctement mis à la terre selon tous les codes applicables. Ce produit est fourni avec 1,8 m de câbles volants dans un conduit flexible qui sont installés en usine. Les couleurs des conducteurs sont :

- L1 : Rouge
- L2 : Noir
- N : Blanc
- E : Vert/jaune

Instructions de conception

Sens d'ouverture de la porte non modifiable.

Distance corps du meuble – façade de la porte 1 7/8" (47 mm).

Distance corps du meuble – bord extérieur de la poignée de porte 3 3/4" (94 mm) (s'il s'agit de la poignée ajoutée, accessoire spécial).

Pour permettre l'ouverture de tiroirs latéraux, tenir compte du débordement avant, y compris de la poignée de porte.

Si une pose en angle est envisagée, tenir compte d'un angle minimum d'ouverture de la porte de 90°.

Préparation des meubles

Les unités de cuisine doivent résister à des températures allant jusqu'à 195 °F (90 °C) et les façades des meubles adjacents jusqu'à 160 °F (75 °C).

Coupez les recoins du meuble avant d'insérer l'appareil. Retirez tous les copeaux, puisqu'ils peuvent affecter l'utilisation des composantes électriques.

Consultez les illustrations d'installation sur les pages suivantes.

Fixez le mobilier qui n'est pas déjà fixé au mur en utilisant une équerre de fixation disponible sur le marché.

Installez l'appareil à une hauteur qui permet tout de même de retirer facilement les accessoires.

Exigences en matière de dimensions et d'armoire

Exigences générales concernant le meuble

Les exigences concernant le meuble dépendent du modèle à poser. Veuillez consulter le chapitre **Dimensions** pour obtenir des précisions sur votre modèle.

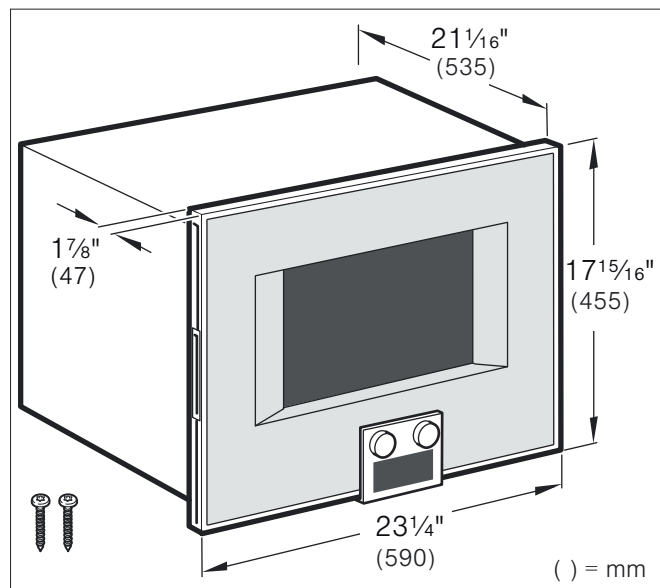
Tous les modèles exigent :

- ¼ po (6,4 mm) d'espace entre le côté de l'appareil et une porte de caisson pour une installation à l'extrémité d'une série de caissons.
- Le socle du meuble doit être plat et doit pouvoir supporter le poids de l'appareil lorsqu'il est en service. Pour connaître le poids exact de votre modèle, consultez le chapitre **Dimensions**.

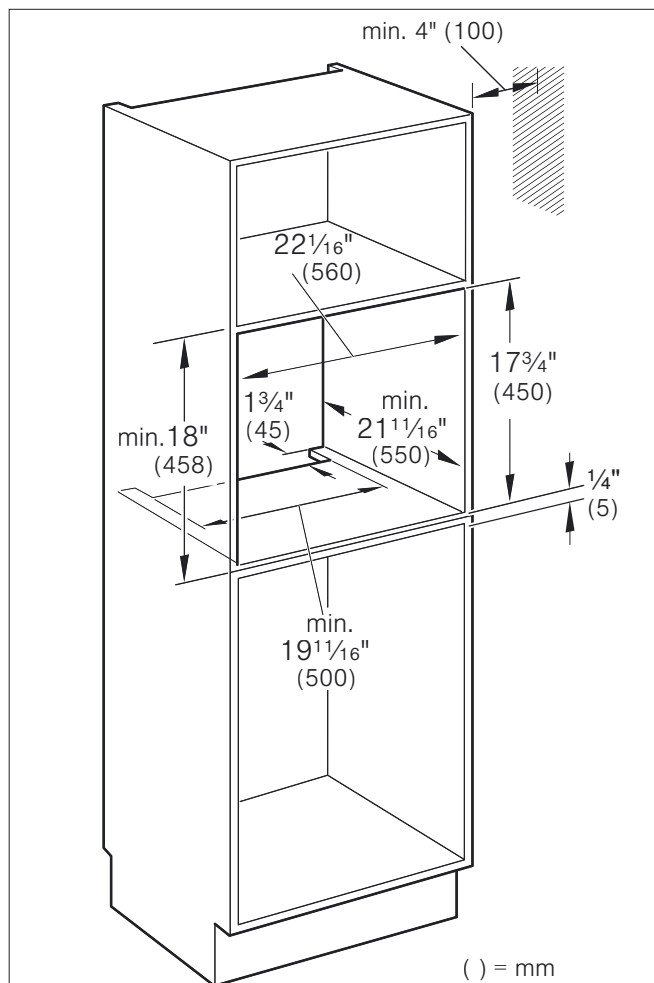
Dimensions pour les unités encastrées de 24 po (61 cm)

BM 450/451-710

Dimensions de l'appareil



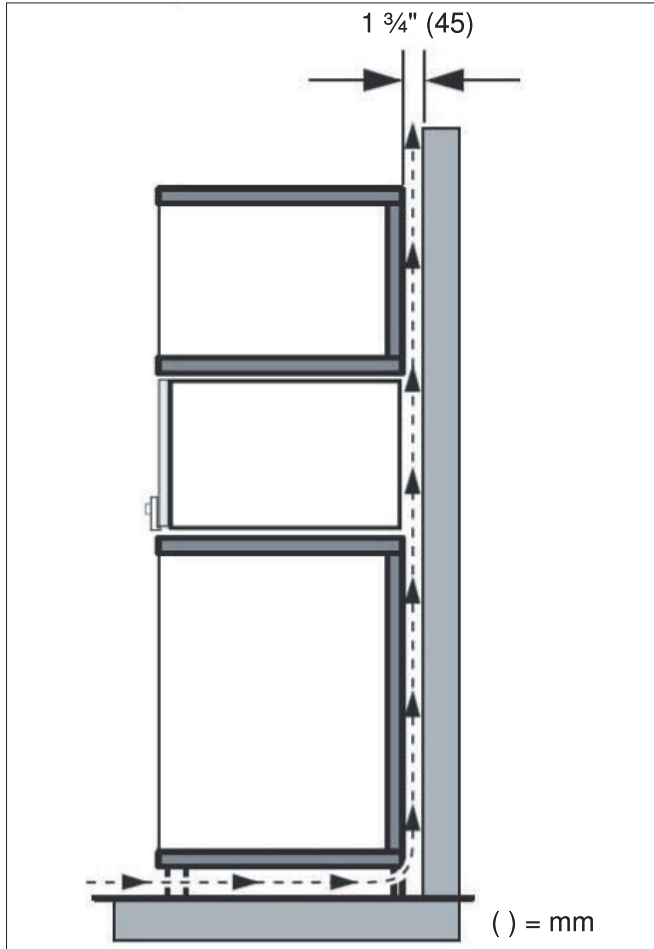
Dimensions de la découpe des armoires



AVIS : La base du caisson doit être plate et capable de supporter un poids d'au moins 146 lb (66,2 kg).

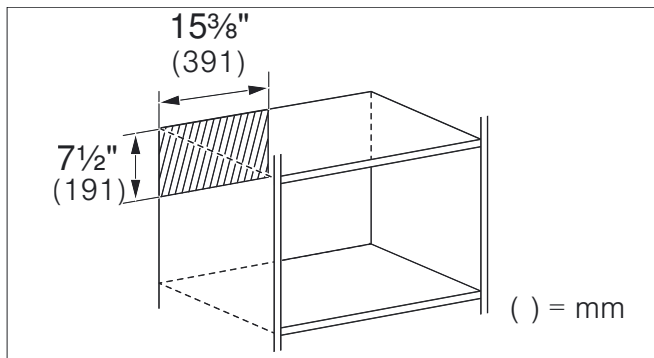
Exigences concernant la ventilation

- Découpe de ventilation dans la tablette intermédiaire de l'armoire intégrée : au moins 1 3/4 po par 1,65 pi (45 x 500 mm).
- Assurez-vous que l'air peut circuler derrière l'appareil en maintenant une distance minimale de 1 3/4 po (45 mm) entre le dos du meuble et le mur.



Zone de la prise de courant

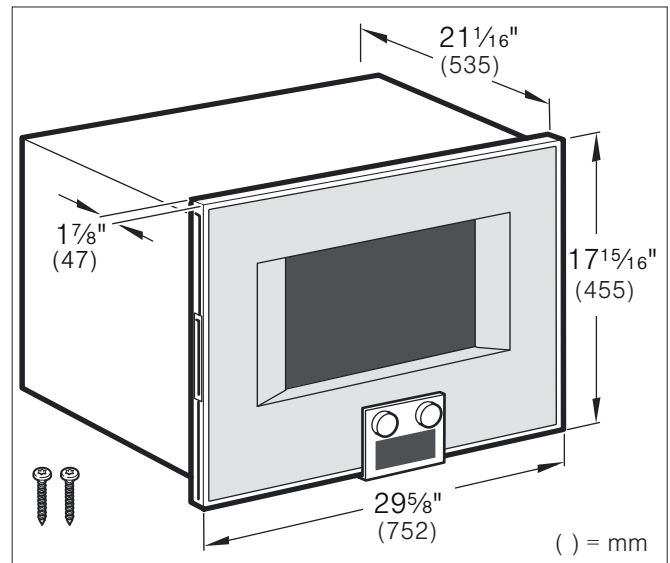
La prise peut être située partout dans la zone ombrée. Dans toute la zone ombrée, la distance minimale entre l'appareil et le mur doit être de 1 3/4 po (45 mm).



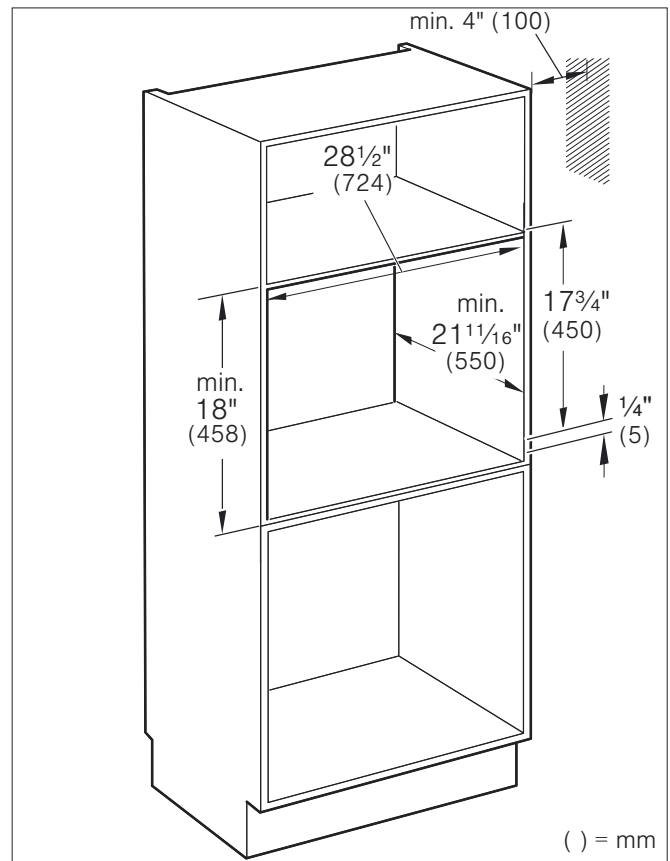
Dimensions pour les unités encastrées de 30 po (76 cm)

BM 484/485-710

Dimensions de l'appareil



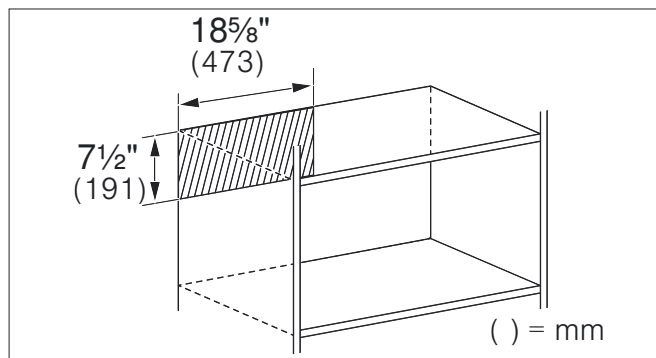
Dimensions de la découpe des armoires



AVIS : La base du caisson doit être plate et capable de supporter un poids d'au moins 159 lb (72 kg).

Zone de la prise de courant

La prise peut être située partout dans la zone ombrée. Dans toute la zone ombrée, la distance minimale entre l'appareil et le mur doit être de $1\frac{3}{4}$ po (45 mm).



Pour enlever l'emballage



Remarque : Pour éviter d'endommager le plancher, laissez l'unité dans la portion inférieure de l'emballage jusqu'au moment de le placer dans l'ouverture de l'armoire. Ne pas faire glisser l'unité sur le plancher.

Différents modèles utilisent des matériaux d'emballage différents. Les équerres de fixation peuvent être différentes. Les équerres de fixation demeurent dans la base de l'emballage.

- 1 Coupez les sangles sur l'extérieur de la boîte.
- 2 Retirez la boîte en carton.
- 3 Retirez tous les cartons et les supports en styromousse sur le dessus et les côtés.
- 4 Placez le micro-ondes devant les caissons où il sera installé.

Installation de l'appareil



Remarque : L'appareil est lourd. Pour l'insérer dans la découpe, faites-vous aider par une autre personne.

AVIS : Avant d'installer l'appareil, prenez soin de vérifier la dimension du coffret et les raccordements électriques.

Installation électrique



AVERTISSEMENT

Le raccordement électrique de l'appareil doit être effectué par un électricien qualifié conformément aux codes de sécurité locaux et régionaux.



AVERTISSEMENT


Ce produit fonctionnera seulement lorsque L1 et L2 sont alimentés en même temps. Si ce n'est pas le cas, le code d'erreur E300 sera affiché. Si possible, cet appareil devrait être installé avec un disjoncteur de branchement pour permettre à L1 et L2 d'être alimentés simultanément. Si ce n'est pas possible, 2 disjoncteurs unipolaires peuvent être utilisés, mais L2 doit être alimenté avant L1.

Modèle	Connexion	Circuit	Exigences
BM 450 710	Câble de	208 V,	20 A
BM 451 710	conduit à 4 fils	60 Hz	
BM 484 710		ou	
BM 485 710		240 V,	20 A
		60 Hz	

Installez une boîte de connexions appropriée (non fournie). Le raccord de conduit doit être utilisé pour fixer correctement le conduit à la boîte de jonction.

Les 4 fils doivent être raccordés, même si une connexion à 3 ou 4 fils est utilisée.

⚠ AVERTISSEMENT

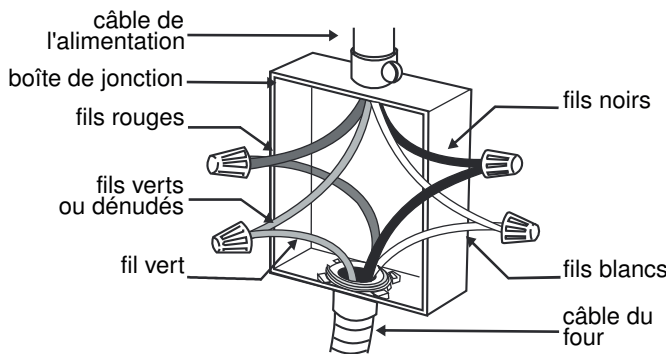
 Les codes locaux peuvent varier; l'installation, les branchements électriques et la mise à la terre doivent se conformer à tous les codes locaux applicables.

Si les codes locaux autorisent la mise à la terre au moyen d'un point neutre d'alimentation électrique, connectez à la fois le fil neutre blanc et le fil de terre vert du four au fil d'alimentation électrique neutre.

La connexion de circuit terminal à 4 fils est recommandée, mais là où les codes le permettent, la connexion à 3 fils est acceptable.

Connexion à quatre fils

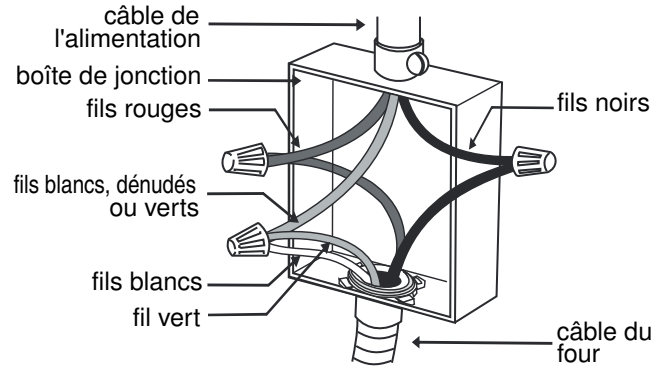
Neutre non mis à la terre



- Branchez le fil rouge du four au fil d'alimentation électrique rouge (fil sous tension).
- Branchez le fil noir du four au fil d'alimentation électrique noir (fil sous tension).
- Branchez le fil neutre blanc du four au fil d'alimentation électrique neutre blanc (non dénudé ou vert).
- Branchez le fil vert de mise à la terre du four au fil dénudé ou vert de mise à la terre de l'alimentation électrique.

Connexion à trois fils

Neutre mis à la terre



- Branchez le fil rouge du four au fil rouge dans la boîte de jonction.
- Branchez le fil noir du four au fil noir dans la boîte de jonction.
- Branchez le fil vert de mise à la terre et le fil blanc du four au fil blanc, vert ou dénudé mis à la terre dans la boîte de jonction.

Le câble de conduit pivote à l'endroit où il est branché au four.

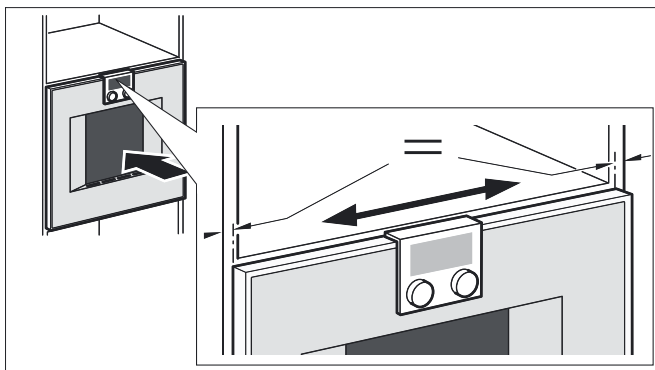
Pour assurer l'entretien de l'appareil, le conduit flexible ne doit pas être raccourci et devrait être acheminé de façon à permettre un retrait temporaire du four.

Fixation à l'armoire

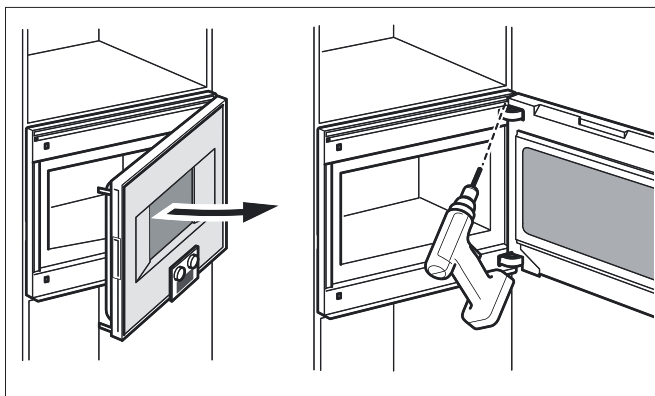


En l'absence de tablette au-dessus de l'appareil, fixez l'appareil pour l'empêcher de basculer quand la porte est ouverte.

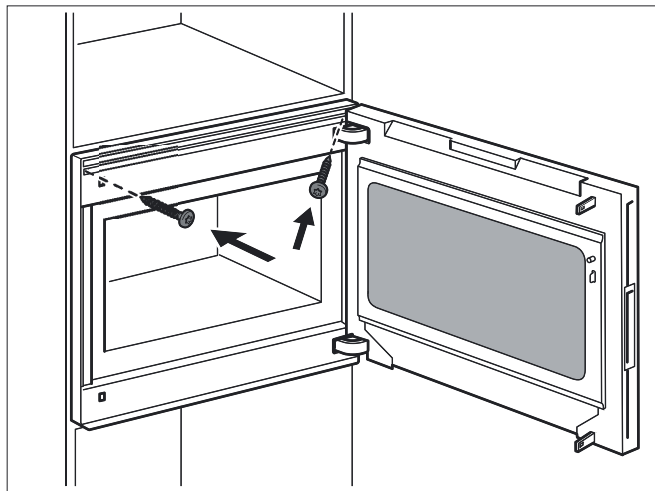
- 1 Évitez de couder ou de coincer le câble de raccordement ou de l'acheminer sur des bords tranchants.
- 2 Centrez l'appareil.
Il doit y avoir un espace d'air de $\frac{3}{16}$ po (5 mm) entre l'appareil et les caissons adjacents.



- 3 Avec un niveau à bulle, ajustez l'appareil de sorte qu'il soit parfaitement de niveau.
- 4 Ouvrez la porte de l'appareil et préforez les trous pour les vis.



- 5 Visez l'appareil en place.



Vérification de l'installation

⚠ AVERTISSEMENT

Avant de brancher un cordon électrique pour un raccordement permanent ou de mettre sous tension la source d'alimentation, vérifiez que toutes les commandes sont à la position OFF (Arrêt).

Mettre le disjoncteur en circuit.

Vérifier que les éléments fonctionnent correctement.

Dépose

- 1 Mettre l'appareil hors tension.
- 2 Desserrer les vis de fixation.
- 3 Soulever légèrement puis tirer entièrement l'appareil.

Service après-vente

Si votre appareil doit être réparé, notre service après-vente est à votre disposition. Nous trouvons toujours une solution adaptée, y compris pour éviter les visites inutiles de techniciens.

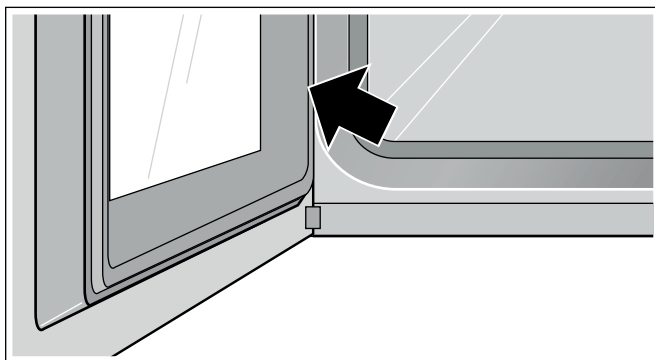
Lors de votre appel, indiquez le numéro du produit (n° E) et le numéro de série (n° FD) afin que nous puissions vous donner une réponse précise. La plaquette d'identification comportant ces numéros se trouve sur le dessous de l'appareil. Pour ne pas avoir à chercher longtemps en cas de besoin, vous pouvez inscrire ici les références de l'appareil et le numéro de téléphone du service après-vente.

N° E

N° FD

Service après-vente ☎

N'oubliez pas qu'en cas de fausse manœuvre, la visite d'un technicien d'après-vente n'est pas gratuite, même pendant la garantie.



Vous trouverez les données de contact pour tous les pays dans l'annuaire ci-joint du service après-vente.

Demande de réparation et conseils en cas de dysfonctionnement

CA 877 442 4436

toll-free

Faites confiance à la compétence du fabricant. Ainsi vous êtes assurés que la réparation sera effectuée par des techniciens formés qui possèdent les pièces de rechange d'origine pour votre appareil.

Definiciones de Seguridad

ADVERTENCIA

Esto indica que se pueden producir lesiones graves o la muerte si no se cumple con esta advertencia.

ATENCION

Esto indica que pueden producirse lesiones leves o moderadas si no se cumple con esta advertencia.

AVISO: Esto indica que puede producirse un daño al electrodoméstico o a la propiedad como resultado de la falta de cumplimiento de este aviso.

Nota: Esto lo alerta sobre información y/o consejos importantes.



Conexión a tierra (masa)

Para identificar cualquier terminal previsto para la conexión con un conductor externo para proteger contra descarga eléctrica en caso de una falla, o bien el terminal de un electrodo de conexión a tierra (masa).



Carga pesada

Se requieren dos personas para su transporte.



INSTRUCCIONES DE SEGURIDAD IMPORTANTES

LEER TODAS LAS INSTRUCCIONES ANTES DE UTILIZAR EL APARATO

GUARDE ESTAS INSTRUCCIONES PARA FUTURAS REFERENCIAS.

IMPORTANTE: CONSERVE ESTAS INSTRUCCIONES PARA USO DEL INSPECTOR DE ELECTRICIDAD LOCAL.

INSTALADOR: DEJE ESTAS INSTRUCCIONES CON EL ELECTRODOMÉSTICO CUANDO HAYA FINALIZADO LA INSTALACIÓN.

ADVERTENCIA

Si no sigue la información de este manual exactamente, se puede ocasionar un incendio o una descarga eléctrica que puede causar daños materiales o lesiones personales.

ADVERTENCIA

No reparar, reemplazar ni retirar ninguna pieza del aparato a menos que se recomiende específicamente en los manuales. La instalación, el servicio técnico o el mantenimiento incorrectos pueden causar lesiones o daños materiales. Consultar este manual como guía. Todas las funciones no utilizables por los usuarios deben ejecutarlas únicamente técnicos calificados.

Seguridad con el microondas

PRECAUCIONES QUE DEBE TENER EN CUENTA ANTES DEL SERVICIO TÉCNICO Y DURANTE ESTE PARA EVITAR LA POSIBLE EXPOSICIÓN A UN EXCESO DE ENERGÍA DE MICROONDAS

- No maneje ni permita que se maneje el horno con la puerta abierta.
- Realice los siguientes controles de seguridad en todos los hornos que necesitan servicio técnico antes de activar el magnetrón u otra fuente de microondas, y haga las reparaciones según corresponda:

- 1 Funcionamiento del enclavamiento
- 2 Cierre correcto de la puerta
- 3 Sellos y superficies sellantes (arcos eléctricos, desgaste y otros daños)

- 4 Bisagras y trabas dañadas o sueltas
 - 5 Evidencia de caídas o abuso
- Antes de activar la alimentación eléctrica del microondas para realizar pruebas o inspecciones de servicio técnico en los compartimentos que generan microondas, verifique el magnetrón, la guía de onda luminosa o la línea de transmisión, y verifique que la alineación, la integridad y la conexión de la cavidad sean correctas.
 - Se deben reparar, reemplazar o ajustar todos los componentes defectuosos o mal ajustados de los sistemas de enclavamiento, monitoreo, sello de la puerta y generación y transmisión de microondas, según los procedimientos descritos en este manual, antes de devolver el horno a su propietario.
 - Se debe realizar en cada horno un control de fugas de microondas para verificar el cumplimiento con la Norma de Rendimiento Federal (Federal Performance Standard), antes de devolverlo a su propietario.

Seguridad con el manejo del electrodoméstico

ATENCIÓN



- La unidad es pesada y se requieren al menos dos personas o un equipo adecuado para trasladarla.
 - No levantar el aparato tomándolo de la manija de la puerta.
 - Las superficies ocultas pueden tener bordes filosos. Proceder con cuidado al intentar sujetar el aparato por la parte trasera o desde abajo.
-



INSTRUCCIONES DE SEGURIDAD IMPORTANTES

LEER TODAS LAS INSTRUCCIONES ANTES DE UTILIZAR EL APARATO

Seguridad con la electricidad

ADVERTENCIA

Antes de realizar la instalación, apague el suministro eléctrico en el panel de servicio. Trabe el panel de servicio para impedir que se encienda accidentalmente el suministro eléctrico.

Si el Código Nacional Eléctrico (o el Código Eléctrico Canadiense) así lo requiere, este electrodoméstico debe instalarse en un circuito derivado por separado.

El instalador debe mostrar al propietario la ubicación del disyuntor o el fusible. Márquela para recordarla más fácilmente.

Antes de realizar la instalación, apague la alimentación eléctrica en el panel de servicio. Trabe el panel de servicio para impedir que se encienda accidentalmente la alimentación eléctrica.

Asegurarse de que el aparato está correctamente instalado y conectado a tierra por un técnico calificado. La instalación, las conexiones eléctricas y la conexión a tierra deben cumplir con todas las normas locales y regionales correspondientes.



INSTRUCCIONES PARA LA CONEXIÓN A TIERRA

Este aparato debe estar conectado a tierra. En caso de un cortocircuito eléctrico, la conexión a tierra reduce el riesgo de descarga eléctrica proporcionando un cable de escape para la corriente eléctrica.

Este aparato debe estar conectado a un sistema permanente de cableado con toma a tierra, metálico, o debe tenderse un conductor de puesta a tierra de equipo con los conductores de circuito y conectarse a la terminal de tierra del equipo o al cable del aparato.

ADVERTENCIA

La incorrecta conexión a tierra puede provocar un riesgo de descarga eléctrica. Consulte a un electricista calificado si no comprende la totalidad de las instrucciones de conexión a tierra o si tiene alguna duda respecto de si el aparato está correctamente conectado a tierra.



Seguridad relacionada con los equipos

Retire toda la cinta y el embalaje antes de usar el electrodoméstico. Destruya el embalaje después de desembalar el electrodoméstico. Nunca deje que los niños jueguen con el material de embalaje.

Nunca modifique ni altere la construcción del electrodoméstico. Por ejemplo, no retire las patas niveladoras, paneles, cubiertas para cables ni soportes/tornillos antivuelco.

Centrar el electrodoméstico. Debe haber una separación para ventilación de $\frac{3}{16}$ " (5 mm) entre el electrodoméstico y los gabinetes adyacentes.

Códigos y normas de seguridad

Este electrodoméstico cumple con la última versión de una o más de las siguientes normas:

- CAN/CSA C22.2 N.º 150 - Hornos de microondas (Microwave Ovens)
- UL 923 - Electrodomésticos de cocción por microondas (Microwave Cooking Appliances)

Es responsabilidad del instalador determinar si se aplican otros requisitos y/o normas en instalaciones específicas.

CONSERVE ESTAS INSTRUCCIONES.

Antes de empezar

Herramientas y piezas necesarias

- Punta de destornillador Torx
- Taladro y broca de taladro de 1/8 pulg.
- Cinta métrica

Piezas incluidas

- Horno microondas
- 2 tornillos Torx



Requisitos de potencia

Este aparato requiere la conexión a una fuente de alimentación de 208/240V con protección del circuito derivado dotada de un disyuntor de circuito apropiado de 20 A. Debe tener la conexión a tierra adecuada de conformidad con todas las normas aplicables. El producto se entrega con 1.8 m de cables flexibles en un conducto portacables flexible. Los colores de los conductores son los siguientes:

- L1: rojo
- L2: negro
- N: blanco
- E: verde/amarillo

Indicaciones para planificación

El tope de la puerta no se puede cambiar de lugar.

Distancia desde el cuerpo del mueble hasta la superficie frontal de la puerta: 1⁷/₈" (47 mm).

Distancia desde el cuerpo del mueble hasta el canto exterior de la manija de la puerta: 3³/₄" (94 mm), con la manija superpuesta (accesorio especial).

Tome en cuenta la saliente frontal, incluyendo eventualmente la manija de la puerta, para la abertura de los cajones laterales.

Al planear una solución de esquina, tome en cuenta el ángulo de abertura de la puerta de al menos 90 °.

Preparar los muebles empotrables

Las unidades de cocina deben ser termorresistentes hasta 90°C (195°F) las fachadas de los muebles colindantes deben resistir una temperatura de hasta 75°C (160°F).

Cortar los agujeros pertinentes en el mueble antes de empotrar el electrodoméstico. Retirar cualquier viruta, ya que estas pueden interferir en el funcionamiento de los componentes eléctricos.

Consultar los esquemas de instalación de las páginas siguientes.

Fijar los elementos poco seguros del mueble a la pared utilizando placas de fijación disponibles en el mercado.

Montar el aparato a una altura tal que permita retirar los accesorios con facilidad.

Dimensiones y requisitos del gabinete

Requisitos generales del gabinete

Los requisitos del gabinete varían según el modelo a instalar. Por favor consulte la sección **dimensión** para los detalles relativos a su modelo en particular.

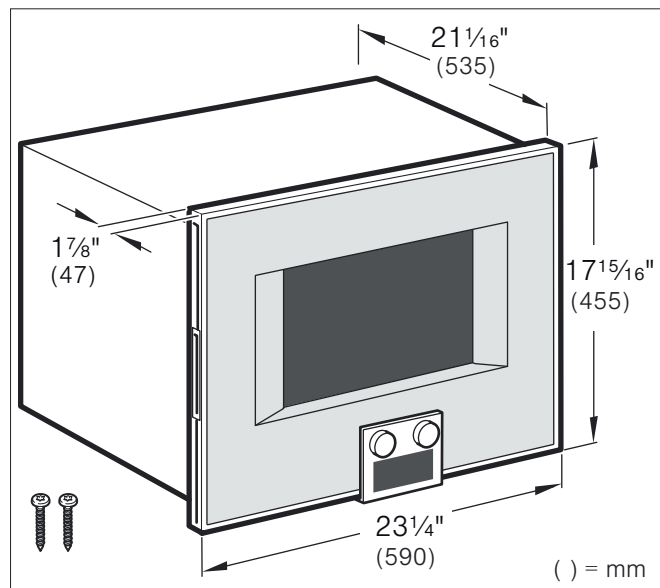
Todos los modelos requieren:

- Se debe dejar $\frac{1}{4}$ " (6.4 mm) de espacio entre el costado del electrodoméstico y una puerta de gabinete cuando se instala en el extremo de la serie de gabinetes.
- La base del gabinete debe ser plana y capaz de soportar el peso del aparato cuando esté en uso. Ver el peso adecuado para su modelo en la sección de **dimensiones** relativas a su modelo en particular.

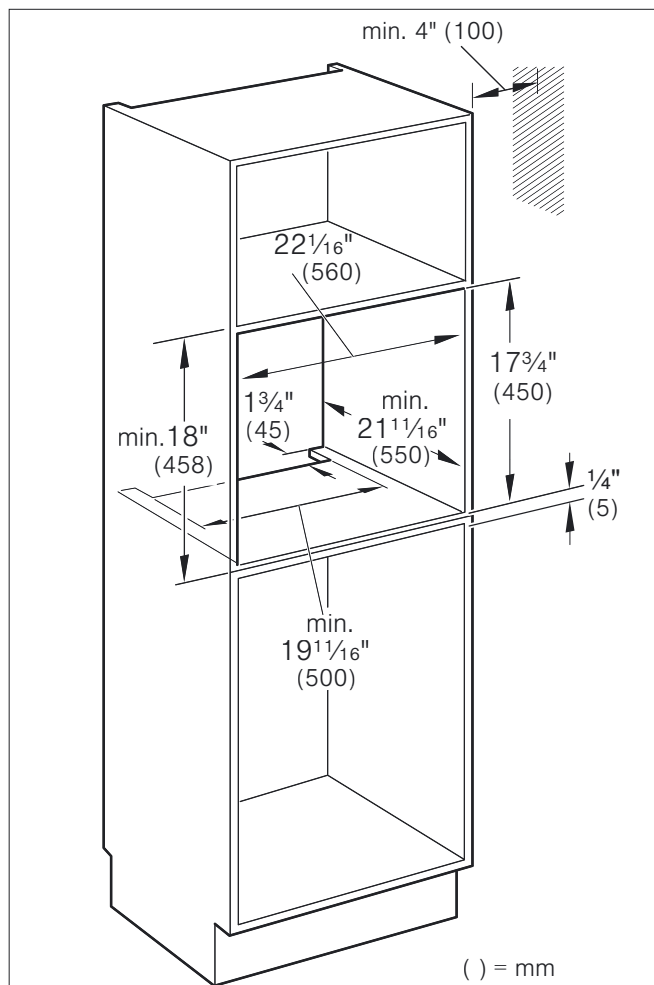
Dimensiones de las unidades insertadas a la pared de 24"

BM 450/451-710

Dimensiones del electrodoméstico



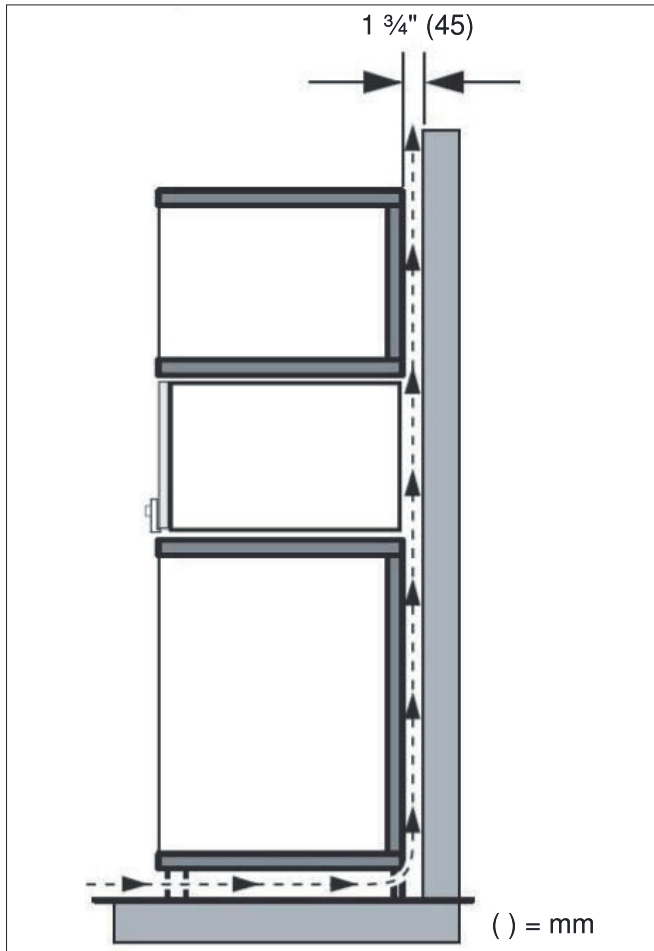
Dimensiones del hueco para el gabinete



AVISO: La base del gabinete debe ser plana y capaz de soportar un peso de al menos 146 libras (66.2 kg).

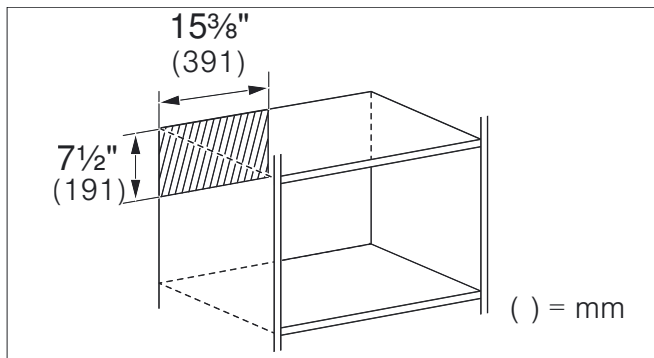
Requisitos de ventilación

- Recorte de ventilación en la repisa intermedia del gabinete empotrado: por lo menos 1¾ pulgadas a 1.65 pies (45 x 500 mm).
- Asegurarse de que el aire pueda circular detrás del aparato manteniendo una distancia mínima de 1¾ pulgada (45 mm) entre la parte trasera del mueble y la pared.



Sección de la toma de corriente

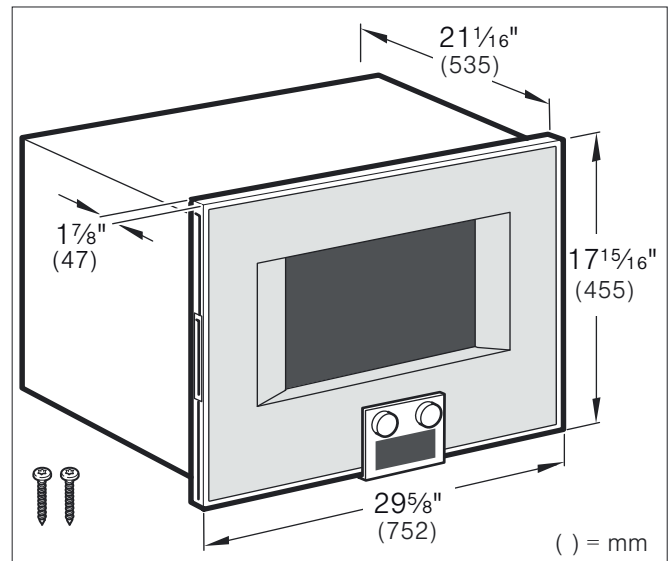
La salida puede estar ubicada en cualquier parte dentro del área sombreada. Dentro del área sombreada, la distancia mínima entre el aparato y la pared es de 1¾ pulgadas (45 mm).



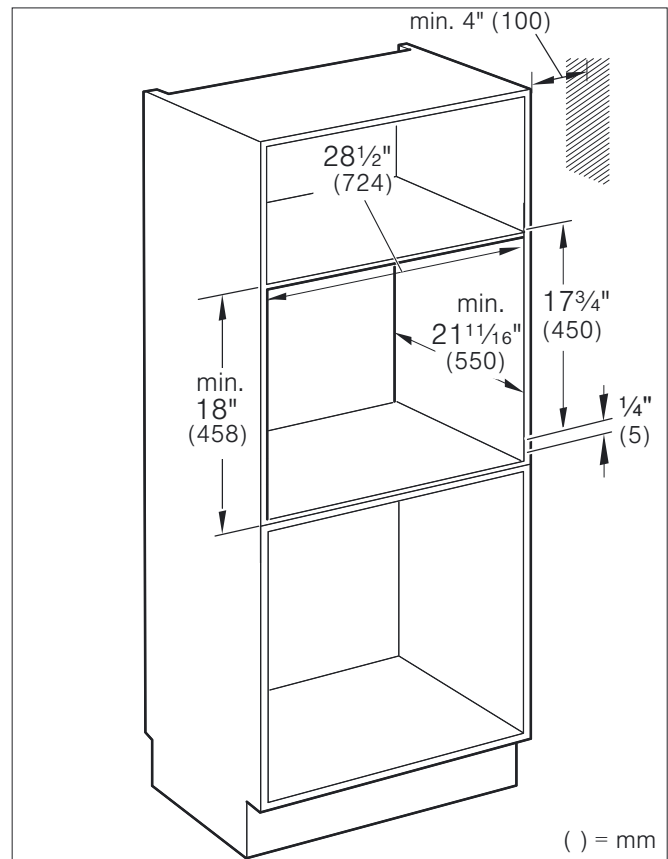
Dimensiones de las unidades insertadas a la pared de 30"

BM 484/485-710

Dimensiones del electrodoméstico



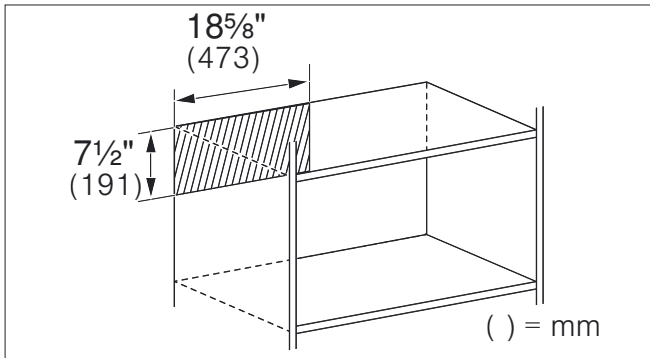
Dimensiones del hueco para el gabinete



AVISO: La base del gabinete debe ser plana y capaz de soportar un peso de al menos 159 libras (72 kg).

Sección de la toma de corriente

La salida puede estar ubicada en cualquier parte dentro del área sombreada. Dentro del área sombreada, la distancia mínima entre el aparato y la pared es de 1¾ pulgadas (45 mm).



Quitar el embalaje



Nota: Para evitar que se dañe su piso, mantenga la unidad en su base de embalaje hasta que esté lista para ser colocada en la abertura del gabinete. No arrastre la unidad por el piso.

Los diversos modelos utilizan diferentes materiales de empaque. Las placas de fijación reales pueden verse diferente. La placa de fijación permanece en la base de empaque.

- 1 Cortar las correas en el exterior de la caja.
- 2 Sacar la caja de cartón.
- 3 Retirar todo el cartón de la parte superior y lateral, así como los soportes de poliestireno.
- 4 Colocar el horno de microondas delante de los gabinetes donde se va a instalar.

Montaje del electrodoméstico



Nota: El aparato pesa demasiado. Se aconseja dos personas para insertarlo.

AVISO: Antes de instalar el aparato, asegúrese de verificar las dimensiones del gabinete y las conexiones eléctricas.

Instalación eléctrica

⚠ ADVERTENCIA

La conexión eléctrica del aparato se debe llevar a cabo por un electricista calificado de acuerdo con las normas de seguridad locales y regionales.

⚠ ADVERTENCIA

Este producto solo funcionará si L1 y L2 se conectan de forma simultánea. Si esto no sucede, se mostrará el error E300. Si es posible, este aparato debe montarse con un disyuntor bipolar para permitir que L1 y L2 se conecten simultáneamente. Si esto no fuera posible, entonces se pueden usar 2 disyuntores unipolares, pero L2 se debe conectar antes que L1.

Modelo	Conexión	Circuito	Requisitos
BM 450 710	Cable de conductos de 4 hilos	208 V,	20 A
BM 451 710		60 Hz	
BM 484 710			
BM 485 710		o	
		240 V,	20 A
		60 Hz	

Instalar una caja de conductos adecuada (no viene incluida). Debe utilizarse el conector de conductos para unir correctamente el conducto a la caja de conexiones.

Los cuatro cables deben conectarse independientemente de si se usa una conexión de 3 o 4 cables.

⚠ ADVERTENCIA



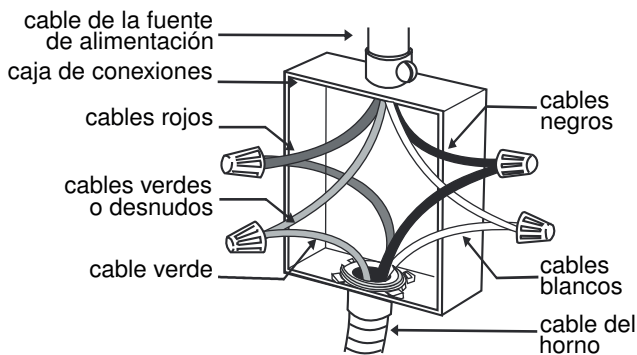
Las normas locales pueden variar. La instalación, las conexiones eléctricas y la conexión a tierra deben cumplir con todas las normas locales vigentes.

Si las normas locales permiten efectuar la conexión a tierra a través de una red de suministro eléctrico neutral, conectar el cable blanco neutral y la toma de tierra verde desde el horno hasta el cable neutral de la red de suministro.

La conexión del circuito con cuatro hilos es preferible pero donde los códigos locales lo permiten, se acepta también una conexión con tres hilos.

Conexión de cuatro cables

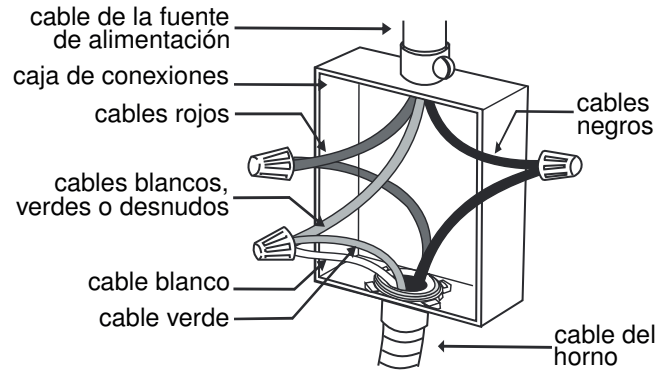
Neutro sin conexión a tierra



- Conectar el cable rojo del horno al cable rojo del suministro eléctrico (cable con corriente).
- Conectar el cable negro del horno al cable negro del suministro eléctrico (cable con corriente).
- Conectar el cable neutro blanco del horno al cable neutro blanco del suministro eléctrico (no al cable de conexión a tierra desnudo o verde).
- Conectar el cable de conexión a tierra verde del horno al cable de conexión a tierra desnudo o verde del suministro eléctrico.

Conexión de tres cables

Neutro con conexión a tierra



- Conectar el cable rojo del horno al cable rojo en la caja de conexiones.
- Conectar el cable negro del horno al cable negro en la caja de conexiones.
- Conectar tanto el cable de conexión a tierra verde como el cable blanco del horno al cable neutro desnudo o blanco/verde en la caja de conexiones.

El cable de conductos, donde está conectado en el horno, gira.

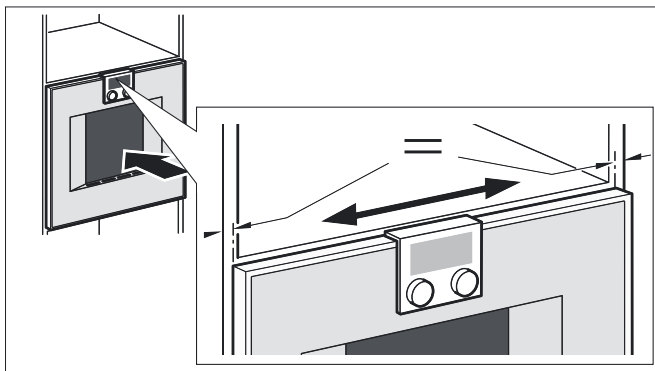
Para mantener la capacidad de servicio, el conducto flexible no se debe acortar y se debe tender para permitir la retirada temporal del horno.

Monte el electrodoméstico en el gabinete

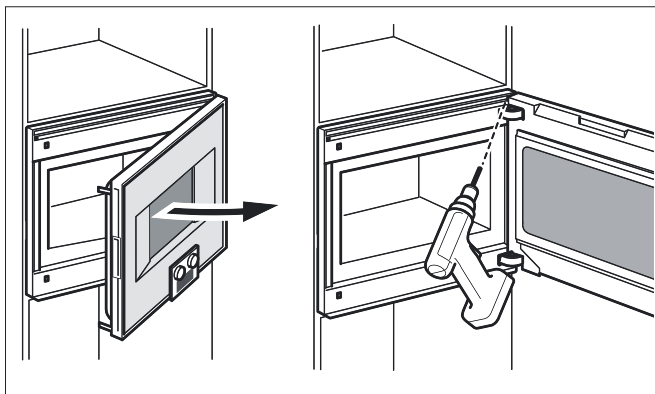


Si no hay un estante colocado sobre el electrodoméstico, sujetarlo para impedir que se vuelque al abrir la puerta.

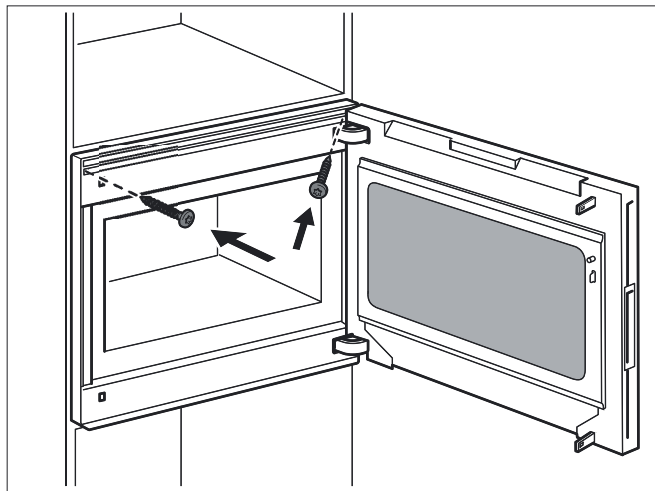
- 1 No retorcer el cable de conexión, no dejarlo atrapado ni pasarlo sobre bordes filosos.
- 2 Centrar el electrodoméstico.
Debe haber una separación para ventilación de $\frac{3}{16}$ " (5 mm) entre el electrodoméstico y los gabinetes adyacentes.



- 3 Con un nivel, ajustar el electrodoméstico para que esté perfectamente nivelado.
- 4 Abrir la puerta del electrodoméstico y pretaladrar los agujeros para los tornillos.



- 5 Atornillar el electrodoméstico en su lugar.



Pruebe la instalación

⚠ ADVERTENCIA

Antes de enchufar un cable eléctrico para conectarse permanentemente o encender la fuente de alimentación eléctrica, asegurarse de que todos los controles se encuentren en la posición OFF (Apagado).

Encienda el disyuntor.

Verifique que los elementos funcionen correctamente.

Desmontaje

- 1 Desconecte la alimentación eléctrica.
- 2 Afloje los tornillos de fijación.
- 3 Eleve ligeramente el equipo y tire de él hacia fuera hasta sacarlo por completo.

Servicio de atención al cliente

Si su aparato necesita una reparación, nuestro servicio de atención al cliente estará encantado de ayudarle. Siempre encontramos la solución adecuada, incluso para evitar visitas innecesarias de los técnicos.

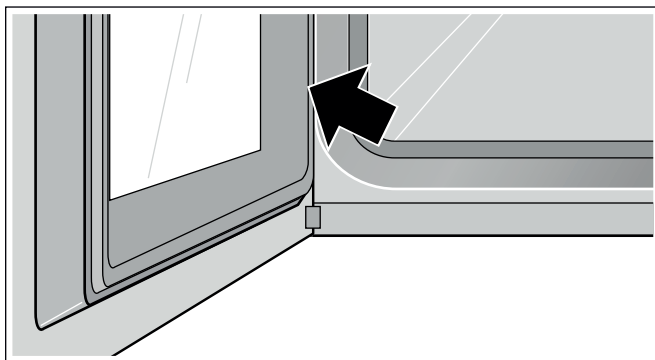
Cuando llame por teléfono, indique la referencia del producto (Nº E) y el número de fabricación (Nº FD) para que podamos ofrecerle un servicio cualificado. La placa de identificación con los números correspondientes los encontrará en la parte inferior del aparato. Para evitar tener que buscar los datos de su aparato cuando los precise, es aconsejable anotarlos aquí conjuntamente con el número de teléfono del Servicio de atención al cliente.

Nº E.

Nº FD.

Servicio de atención al cliente ☎

Tenga en cuenta que la visita del técnico del servicio de atención al cliente no es gratuito en caso de que el mal funcionamiento sea debido a un manejo incorrecto del aparato.



Las señas de las delegaciones internacionales figuran en la lista adjunta de centros y delegaciones del Servicio de Asistencia Técnica Oficial.

Solicitud de reparación y asesoramiento en caso de averías

US 877 442 4436
toll-free

Confíe en la competencia del fabricante. De esa forma se asegura de que la reparación se lleva a cabo por personal técnico debidamente instruido, equipado con las piezas originales y de repuesto necesarias para su aparato.

Gaggenau

BSH Home Appliance Corporation
1901 Main Street, Suite 600
Irvine, CA 92614
+1.877.442.4436
USA
www.gaggenau-usa.com

Gaggenau Hausgeräte GmbH

Carl-Wery-Straße 34
81739 München
GERMANY

GAGGENAU

