

Installation configurations for 400 series VL 414 downdraft and 400 series blowers

Good to know – for correct planning and installation

- For depth measurements, take the depth of the cabinet front and cooktop overhangs of the kitchen cabinet in account.
- With the Vario downdraft ventilation, the ducting can be connected on the right, left or downwards.
- For optimum air circulation, we recommend ducts with $\varnothing 6"$.
- 2 round ducts must be connected with a pipe connector.
- It is also important that ducting is well sealed in order to prevent air leaks, e.g. by using a duct tape which can be purchased at a local hardware store.

Note: When connecting two or more VL downdrafts, it is recommended to have one blower per VL downdraft for optimal performance.

Planning example 1

1x VL 414 with AR 400 742 inline blower

Aluminum flex duct with $\varnothing 6"$ with downwards connection

Combination

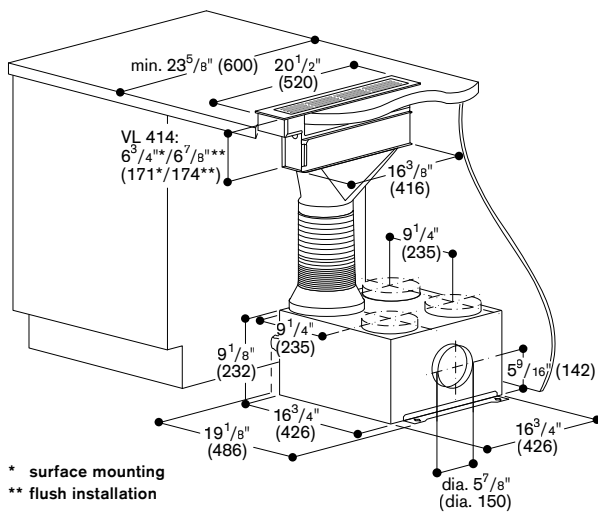
1x VL 414 downdraft ventilation in combination with 1x AR400742 inline blower

Good to know

- Connecting to AR400742 inline blower is possible at all four intakes.

List of required components

- 1x AD 724 042 ($\varnothing 6"$ round transition piece for VL)
- 1x AD 751 010 (aluflex pipe round, $\varnothing 6"$ (DN 150))
- 1x AR 400 742 inline blower



Planning example 2

1x VL 414 with AR 413 722 recirculation blower

Aluminum flex duct \varnothing 6" with downwards connection

Good to know

- The recirculation blower configuration exists of 3 required components: AR413722 recirculation blower, AA413722 air recirculation module and AD413722 oval flex duct.
- The recirculation blower can be rotated in all directions depending on the vent direction required and filter removal option.
- The recirculated air requires an adequate discharge space in order to ensure optimal performance (at least 109 square inches outflow surface).
- The recommended minimum distance between filter openings and cabinet wall if there is no ventilation grill directly in front: 6 inches.

List of required components

- 1x AD 724 042 (\varnothing 6" round transition piece for VL)
- 1x AD 751 010 (aluflex pipe round, \varnothing 6" (DN 150))
- 1x recirculation blower configuration (1x AR 413 722 recirculation blower + 1x AA 413 722 air recirculation module + AD 413 722 oval flex)

