



DF 250 761

fully integrated
Appliance height 32 3/16"

DF 251 761

fully integrated
Appliance height 34 1/8"

Included accessory

1 baking tray spray head

Installation accessories**DA 020 110**

Stainless steel side trims

DA 021 000

Folding hinge extends toe kick for fully integrated look.

DA 231 110

Stainless steel-backed full glass door panel, handle included.

GH 045 010

Handle with 2 mounts, stainless steel, for custom panel length, 17 1/8", drilling distance 16 19/16".

GZ 010 011

Aqua stop extension (7.2") for all dishwashers.

Optional accessories**DA 042 030**

Sterling silver cutlery cassette

DA 043 000

Holder for long-stemmed glasses. Offers safe positioning for up to four long-stemmed wine glasses during the wash cycle and ensures an optimal cleaning result.

DA 043 060

Glassware basket



200 series dishwasher**DF 250/DF 251**

- 6 programs with Aqua sensor and 2 cycle options such as Power and Intensive
- TFT display for intuitive operation of all functions
- 3rd rack for cutlery and utensils
- Very quiet: 44 dBA
- Aqua stop
- ENERGY STAR® certified

Operation

TFT display indicating remaining or end time, refill for salt and rinsing agent, inflow of water.

Touch key operation.

Information key with use indications.

Sanitized indicator in the control panel.

Delayed start timer up to 24 hours.

Visual and acoustic end of program indicator.

Info-Light projects a red light onto the floor during the wash cycle.

Technical Features

Glass protection.

Aqua sensor.

Load sensor.

Automatic detergent function.

Regeneration electronics.

Flow-through water heater.

Triple filter system, self-cleaning.

Soft lock.

Aqua stop.

Programs

6 programs:

Auto 150°F–160°F.

Auto 130°F–150°F.

Standard Eco 122°F–131°F.

Quick wash 113°F (29 min.).

Glasscare 122°F.

Rinse 122°F.

2 cycle options:

Power Boost.

Intensive Wash.

Features

Flexible rack system.

3rd rack for cutlery.

Upper rack:

Rackmatic with 3 levels, adjustable in height up to 2".

2 folding tines.

2 folding racks.

Lower rack:

4 folding tines.

2 folding racks.

Cutlery basket.

Maximum dish sizes

(upper/lower rack)

11"/11", 10"/12" or 9"/13" respectively.

14 place setting capacity.

Maximum glass loading capacity: 23 wine glasses.

Consumption data

Total annual energy consumption

269 kWh.

Water usage: 2.5 gallons

Noise level: 44 dBA.

Planning notes

Height-adjustable feet.

Rear toe kick protrusion 3 19/16" (see drawing).

Rear feet adjustable at front.

Door weight up to 22 lbs.

Door panel dimension dependent on toe kick height of kitchen cabinets.

Ventilation openings required when installed as a tall unit.

Water connection with 3/4" screw gland.

For length of connection cable, water in-and-outlet, see adjacent drawing.

Please read further planning notes on pages 224–225.

Rating

Total rating 1.3 kW.

Total Amps: 12 A.

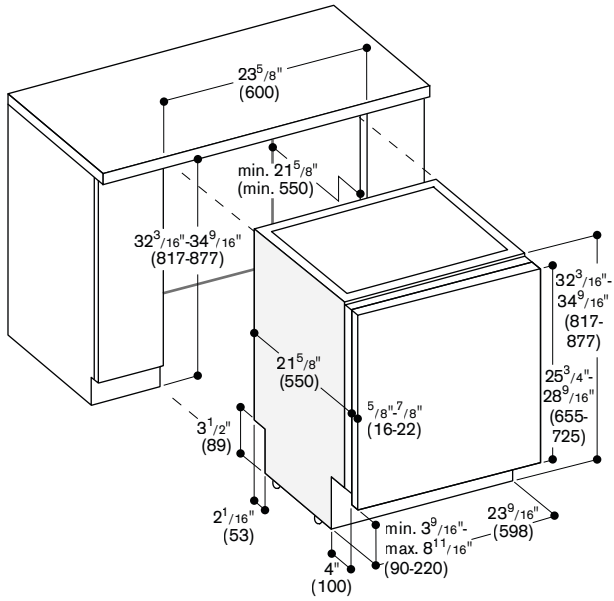
120 V / 60 Hz

Connecting cable 47 1/4" with plug.

Euro Tub dishwasher DF 250

Toe kick height

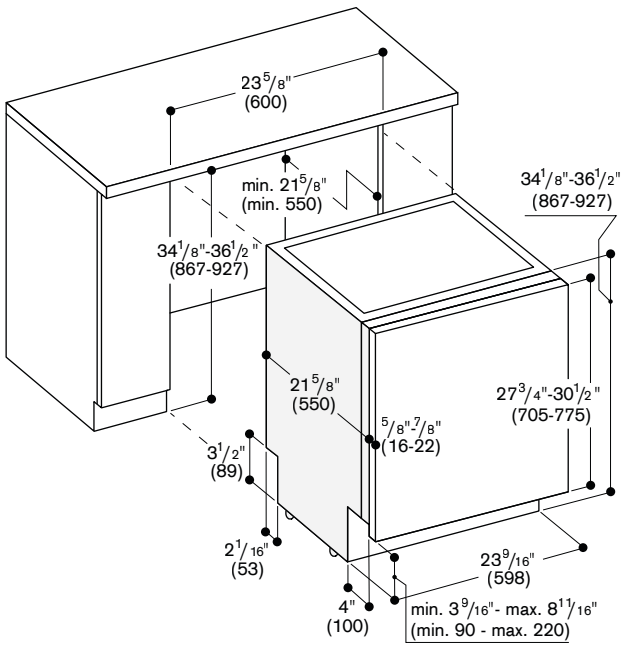
- 3 9/16" - 6 5/16" for a height of 32 3/16"
- 5 7/8" - 8 11/16" for a height of 34 9/16"



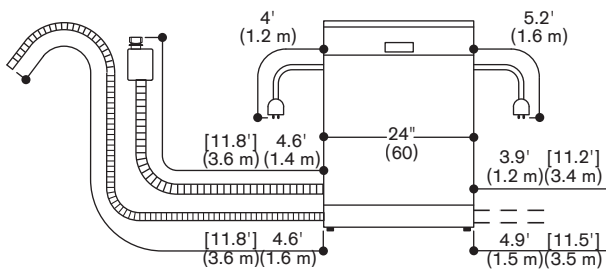
Tall Tub dishwasher DF 251

Toe kick height

- 3 9/16" - 6 5/16" for a height of 34 1/8"
- 5 7/8" - 8 11/16" for a height of 36 1/2"



Connection dimensions for 24" wide dishwasher



Values in [] with AquaStop extension kit GZ 010 011.

Numbers indicated inside parenthesis () = mm