



EB 333 610
Stainless steel
Width 36" (90 cm)

Included accessories

- 1 baking tray, pyrolytic-safe enamel
- 1 rotisserie spit
- 1 wire rack
- 1 broiling tray with wire rack
- 1 core temperature probe

Optional accessories

- BA 090 100**
Black control knobs, set of 2.
- BA 018 165**
Pull-out system
Enameled cast-iron frame and fully extendable telescopic rails.
- BA 028 115**
Baking tray, enameled
1" deep.
- BA 038 165**
Wire rack, chromium-plated
Offset rack, no opening.
- BA 058 115**
Heating element
Necessary accessory for baking stone BA058133 and Gastronorm roaster GN340230.
- BA 058 133**
Baking stone
With support and pizza peel (heating element must be ordered separately).
Not in combination with pull-out system.
- BS 020 002**
Pizza peel, additional set of 2.
- GN 340 230**
Gastronorm roaster
Non-stick cast-aluminum
4" deep, with 2 1/2" lid, GN 3/4.

Single oven
EB 333

- One-piece front-hinged door with 3 mm precision crafted stainless steel front door panel
- Soft door opening and closing system
- Diagonally positioned light sources for optimal interior lighting
- Pyrolytic self-cleaning
- Universal heating system with 17 heating modes, with core temperature probe, rotisserie spit and baking stone operation
- Convection fan rotates in both directions for ideal heat distribution
- TFT touch display
- Panel-free appliance with control module behind glass
- Electronic precision temperature control from 85°F to 550°F
- 3.6 cu.ft. net volume

Cooking modes

- Convection.
- Economy convection.
- Top + bottom heat.
- Top + 1/3 bottom heat.
- Top heat.
- 1/3 top + bottom heat.
- Bottom heat.
- Convection + bottom heat.
- Convection + 1/3 bottom heat.
- Convection broiling.
- Broiling.
- Compact grill.
- Baking stone operation.
- Roaster function.
- Dough proofing.
- Defrosting.
- Keeping warm.

Operation

- Rotary knobs and TFT touch display operation.
- Clear text display in 25 languages.
- Option to save individual recipes (incl. core temperature probe).
- Information key with use indicators.
- Front-hinged door with 90° door opening angle.

Features

- Core temperature probe with automatic shut-off function.
- Rotisserie spit.
- Baking stone outlet.
- Actual temperature display.
- Super-quick preheating.
- Timer functions: cooking time, switch-off time, short-term timer, stopwatch.
- 60 W halogen light on the top.
- 2 x 10 W halogen light on the side.
- Enameled side shelf supports with 3 rack levels, pyrolytic-safe.

Safety

- Thermally insulated door with quintuple glazing.
- Child lock.
- Safety lock.
- Cooled housing with temperature protection.

Cleaning

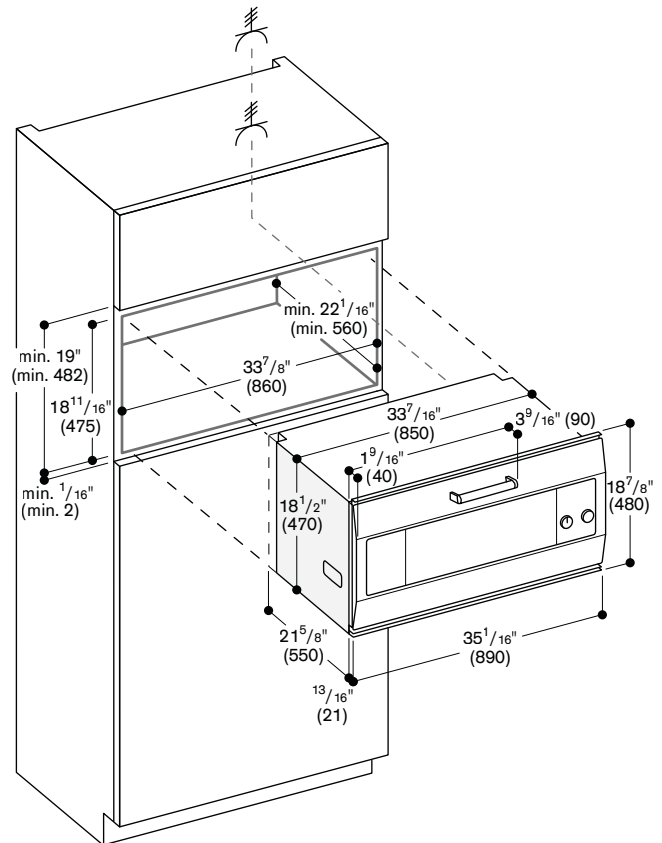
- Pyrolytic self-cleaning.
- Gaggenau Clean-Enamel.
- Heated air cleaning catalyst.

Planning notes

The door panel surface of the appliance extends 1 9/16" (40 mm) from the cabinet front.
The outer edge of the door handle extends 3 9/16" (90 mm) from the cabinet front.
For installation underneath cooktops: Distance between the underside of the cooktop and the top edge of the oven cavity: min. 1 9/32" (15 mm). The planning notes for the cooktops (particularly regarding ventilation, gas/electric connection) must be taken into account.
To achieve the 21 5/8" (550 mm) installation depth, the connection cable needs to follow the slanted edge on the corner of the housing.
Plan a power outlet outside of the cut-out niche.

Rating

Total rating 5.9 kW.
Total Amps: 25 A.
208/220 - 240 V / 60 Hz
Connection cable 47 1/4" without plug (hardwire required).



Numbers indicated inside parenthesis () = mm