



DV 463 710

Stainless steel-backed glass front
Width 24" (60cm), Height 8 3/4" (21cm)

Included accessories

- 1 vacuuming bag, small (50 pcs.)
- 1 vacuuming bag, big (50 pcs.)
- 1 raised vacuuming platform
- 1 adapter for vacuuming outside the chamber
- 1 vacuuming hose
- 1 adapter for bottle plugs
- 3 plugs for vacuuming of bottles

Installation accessories

BA 476 510
Optional handle, stainless steel
Length 17 5/8".

Optional accessories

- BA 080 670**
Vacuuming bags, small
7" x 11", 100 pcs.
- BA 080 680**
Vacuuming bags, large
9 1/2" x 14", 100 pcs.

400 series vacuuming drawer

DV 463

- Integrable in 8 3/16" high niche
- Hygienic stainless steel vacuuming chamber, applicable height up to 3 5/32"
- 3 vacuuming levels for vacuuming in the chamber, max. 99%
- 3 vacuuming levels for vacuuming outside the chamber, max. 90%
- Automatic connection recognition for vacuuming outside the chamber
- Handleless drawer
- Soft-closing system
- Net volume 0.25 cu.ft.

Application

Vacuuming for sous-vide cooking.
Vacuuming for fast marinating and flavoring.
Vacuuming for extended storage.
Vacuuming of vacuuming containers outside the chamber.
Resealing bottles outside the chamber.

Operation

Touch key operation.
Recessed grip at the front bottom of the drawer.

Features

Capacity load max. 22 lbs.
Maximum size of vacuuming bags W 9 1/2" x L 14".
3 heat-sealing levels for different strengths of bag material.
Sealing bar, non-stick coating, removable.
Safety glass cover, opens automatically after vacuuming.
Raised vacuuming platform, 1 3/4", deployable.
Utility space in vacuuming chamber, W 8 1/4" x L 10 3/4".
Membrane for avoiding reflux of liquids during vacuuming outside the chamber.
Drying program for vacuuming pump.
Warning function.

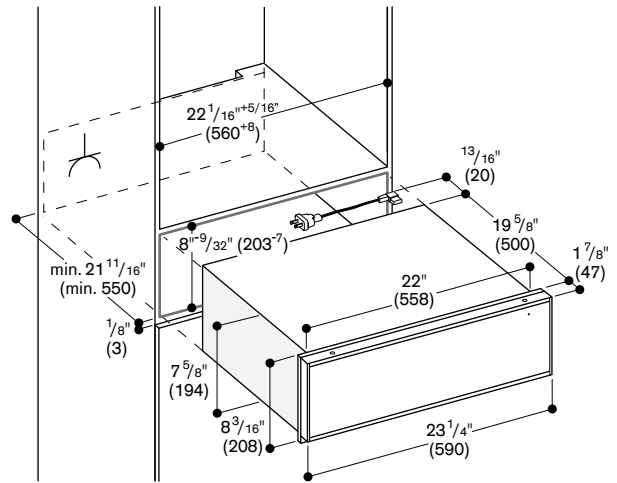
Planning notes

The panel surface of the appliance extends 1 7/8" from the furniture cavity.
Installation of BS Combi-steam oven/ BM speed microwave oven/CM espresso machine directly above DV vacuuming drawer in 24" niche without a partition shelf in between.
Built-in under worktop or in single niche.
The electric outlet can be planned behind the appliance.

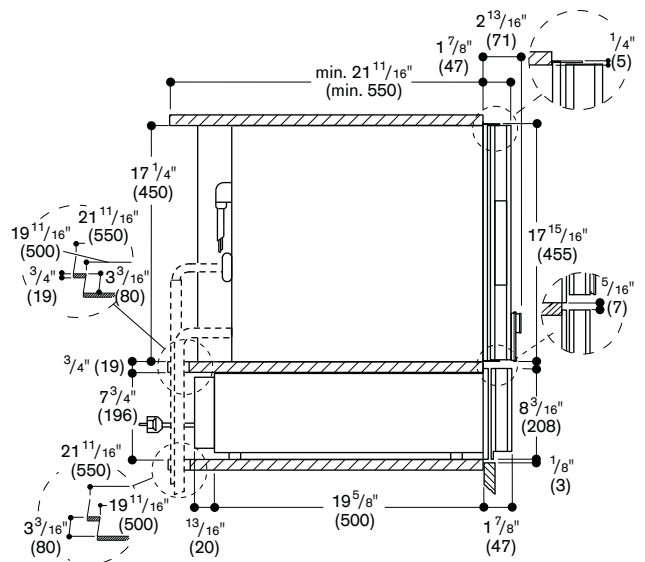
Please read the installation details regarding air ducting on page 12-13.

Rating

Total rating: 0.32 kW.
Total Amps: 5 A.
120 V / 60 Hz
Connecting cable 6' with plug.



Side view of DV 463 below BS Combi-steam oven, BM speed microwave oven, CM espresso machine



Numbers indicated inside parenthesis () = mm