

**400 series vacuuming drawer**  
**DV 461**

**DV 461 710**

Stainless steel-backed glass front  
Width 24" (60 cm), Height 5 1/2" (14 cm)

**Included accessories**

- 1 vacuuming bag, small (50 pcs.)
- 1 vacuuming bag, big (50 pcs.)
- 1 raised vacuuming platform
- 1 adapter for vacuuming outside the chamber
- 1 vacuuming hose
- 1 adapter for bottle plugs
- 3 plugs for vacuuming of bottles

**Installation accessories**

**BA 476 510**

Optional handle, stainless steel  
Length 17 3/8".

**Optional accessories**

**BA 080 670**

Vacuuming bags, small  
7" x 11", 100 pcs.

**BA 080 680**

Vacuuming bags, large  
9 1/2" x 14", 100 pcs.

- Integrable in 5 1/2" high niche
- Hygienic stainless steel vacuuming chamber, applicable height up to 3 3/32"
- 3 vacuuming levels for vacuuming in the chamber, max. 99%
- 3 vacuuming levels for vacuuming outside the chamber, max. 90%
- Automatic connection recognition for vacuuming outside the chamber
- Handleless drawer
- Soft-closing system
- Net volume 0.25 cu.ft.

**Application**

- Vacuuming for sous-vide cooking.
- Vacuuming for fast marinating and flavoring.
- Vacuuming for extended storage.
- Vacuuming of vacuuming containers outside the chamber.
- Resealing bottles outside the chamber.

**Operation**

- Touch key operation.
- Recessed grip at the front bottom of the drawer.

**Features**

- Capacity load max. 22 lbs.
- Maximum size of vacuuming bags W 9 1/2" x L 14".
- 3 heat-sealing levels for different strengths of bag material.
- Sealing bar, non-stick coating, removable.
- Safety glass cover, opens automatically after vacuuming.
- Raised vacuuming platform, 1 3/4", deployable.
- Utility space in vacuuming chamber, W 8 1/4" x L 10 3/4".
- Membrane for avoiding reflow of liquids during vacuuming outside the chamber.
- Drying program for vacuuming pump.
- Warning function.

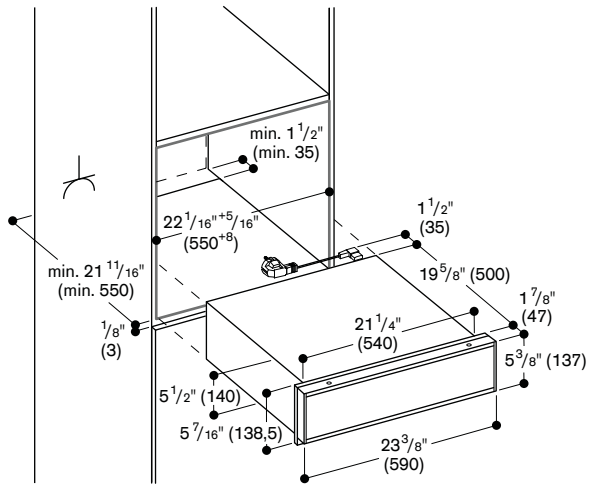
**Planning notes**

- The panel surface of the appliance extends 1 7/8" from the furniture cavity.
- Installation of BS Combi-steam oven/ BM speed microwave oven/ CM espresso machine directly above DV vacuuming drawer in 24" niche without a partition shelf in between.
- Built-in under worktop or in single niche.
- The electric outlet can be planned behind the appliance.

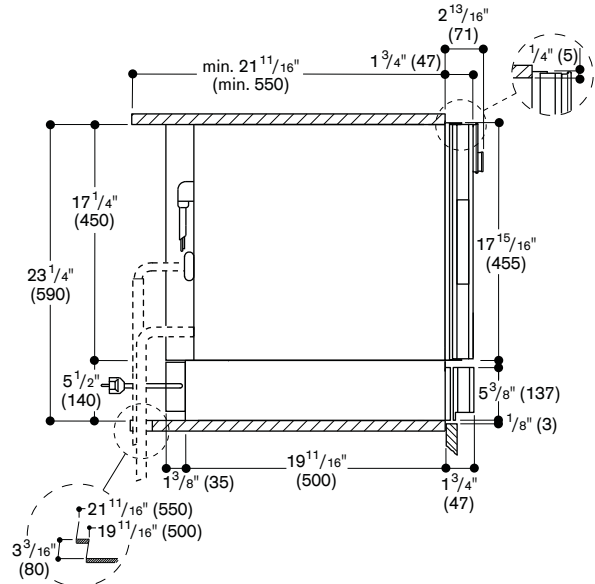
Please read the installation details regarding air ducting on page 12-13.

**Rating**

- Total rating: 0.32 kW.
- Total Amps: 5 A.
- 120 V / 60 Hz
- Connecting cable 6' with plug.



**Side view of DV 463 below BS Combi-steam oven, BM speed microwave oven, CM espresso machine**



Numbers indicated inside parenthesis ( ) = mm