



#### DF 260 761

fully integrated

Appliance height 32 1/16"

#### DF 261 761

fully integrated

Appliance height 34 1/16"

#### Included accessories

1 baking tray spray head

#### Installation accessories

##### DA 020 010

Stainless steel side trims for DF 260

##### DA 020 110

Stainless steel side trims for DF 261

##### DA 021 000

Folding hinge extends toe kick for fully-integrated look.

##### DA 231 010

Stainless steel-backed full glass door as door panel for DF 260 dishwasher, handle included

##### DA 231 110

Stainless steel-backed full glass door as door panel for DF 261 dishwasher, handle included

##### GH 045 010

Handle with 2 mounts, stainless steel, for custom panel length 17 11/16", drilling distance 16 13/16"

##### GZ 010 011

Aqua stop extension (7.2' long) for all dishwashers

#### Optional accessories

##### DA 042 030

Sterling silver cutlery cassette

##### DA 043 060

Glassware basket



#### Dishwasher

#### DF 260/DF 261

- Power dishwasher: dishes clean and dry in 75 minutes.
- Six programs with Aqua sensor and two additional program options.
- Flex Plus basket system, extra extendable and smooth running.
- Remaining time light that projects cycle status image and time remaining on the kitchen floor.
- Glasscare technology.
- Very quiet: 40 dBA.
- Aqua stop.
- ENERGY STAR® qualified.

#### Operation

Touch key operation.

Display with time remaining indicator.

Electronic refill indicator for rinsing agent in the control panel.

Inflow water indicator.

End of program indicator.

Time delay up to 24 hours.

#### Technical features

Remaining time projection with image.

Glass care technology.

Aqua sensor.

Load sensor.

Aqua stop.

Dosage Assist.

Automatic detergent function.

Water softener.

Heat exchanges.

Flow-through water heater.

Soft lock.

Triple filter system, self-cleaning.

Child lock.

#### Programs

6 programs:

Auto 150°F – 160°F

Auto 130°F – 150°F

Auto 113°F – 122°F

Normal 122°F – 131°F

Quick wash 113°F (30 min)

Glasscare 122°F

2 Options:

Power Boost

Intensive Wash

#### Features

Flex Plus drawer (3rd rack):

Flex Plus upper basket:

Extra-extendable.

Smooth running.

Rackmatic with 3 levels, adjustable in height up to 2".

6 folding tines.

4 folding racks.

2 long stemware support bars.

Flex Plus lower basket:

Dividable glass support.

6 folding tines.

2 folding racks.

Cutlery basket.

Maximum dish sizes

(upper/lower basket)

10 5/8"/9 13/16", 9 5/8"/10 13/16" or

resp. 22/30 cm.

14 place setting capacity.

#### Consumption data

Total annual energy consumption 239 kWh.

Water usage: 2.6 gallons

Noise level: 40 dBA.

#### Planning notes

Height-adjustable feet.

Rear toe kick protrusion 3 15/16".

Rear feet adjustable at front.

Door weight up to 22 lbs.

Door panel dimension dependent on toe kick height of kitchen cabinets.

Installation possible in tall unit.

Water connection with 3/4" screw joint.

For length of connection cable, water in- and outlet see detailed drawing on next page.

Please read further planning notes on pages 204–205.

#### Product rating

Total rating: 2.3 kW.

Min. consumption: 0.97 kWh.

Total Amps: 12 A.

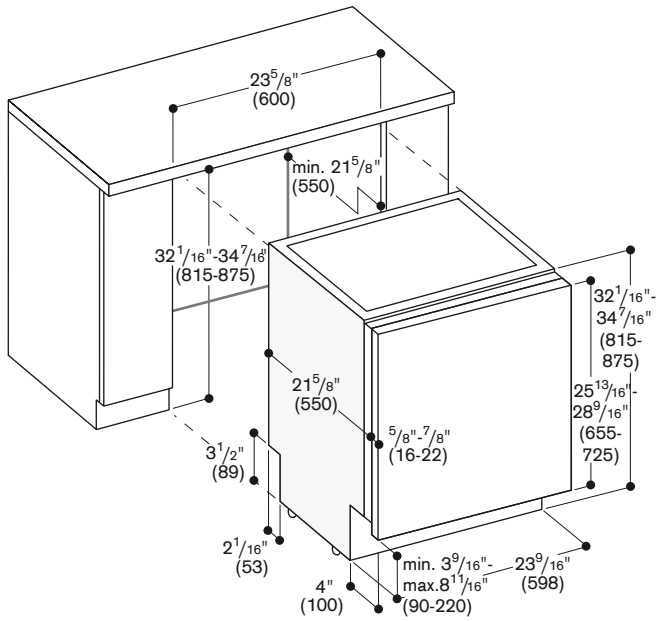
120 V / 60Hz

Connecting cable 47 1/4" with plug

### Euro Tub dishwasher DF 260

Toe kick height

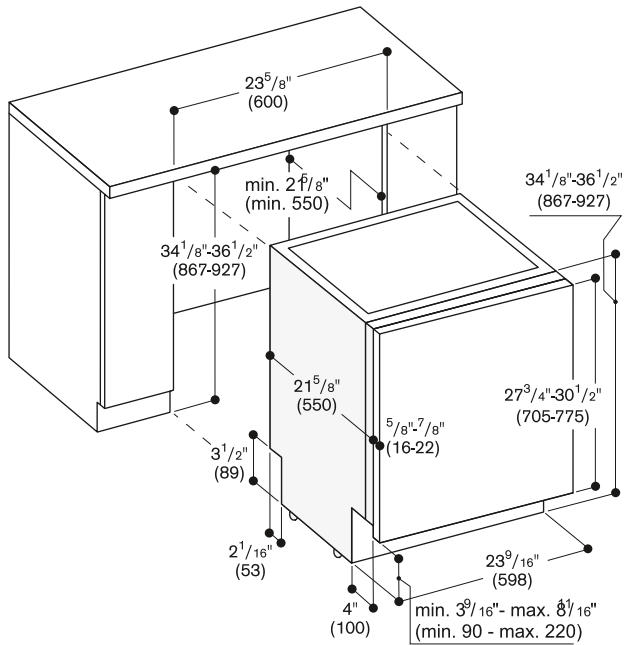
- 3 9/16" - 6 5/16" for a height of 32 1/16"
- 5 7/8" - 8 11/16" for a height of 34 7/16"



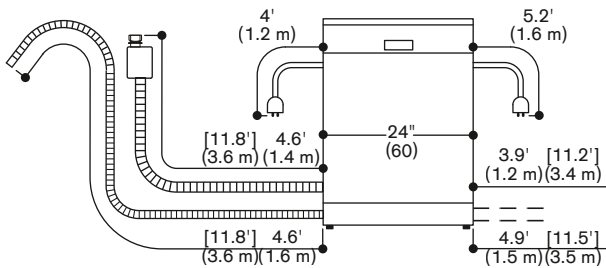
### Tall Tub dishwasher DF 261

Toe kick height

- 3 9/16" - 6 5/16" for a height of 34 1/16"
- 5 7/8" - 8 11/16" for a height of 36 9/16"



### Connection dimensions for 24" wide dishwasher



Values in [ ] with AquaStop extension kit GZ 010 011.

Numbers indicated inside parenthesis ( ) = mm