



DF 250 740

fully integrated
Appliance height 32 3/16"
Width 18" (45 cm)

Included accessory

1 baking tray spray head

Installation accessories

DA 020 110

Stainless steel side trims

DA 021 000

Folding hinge extends toe kick for fully integrated look.

GH 035 010

Handle with 2 mounts, stainless steel, Length 13 3/4", drilling distance 12 1/8".

GZ 010 011

Aqua stop extension (7.2) for all dishwashers.

Optional accessory

DA 042 030

Sterling silver cutlery cassette



200 series dishwasher

DF 250 740

- 6 programs with Aqua sensor and 4 cycle options
- Flexible rack system with a 3rd rack for optimal loading
- Very quiet: 44 dBA
- Aqua stop
- ENERGY STAR® certified

Operation

Display indicating remaining or end time, refill for salt and rinsing agent, inflow of water.

Sanitized indicator in the control panel. Delayed start timer up to 24 hours. Visual and acoustic end of program indicator.

Info-light projects a red light onto the floor during the wash cycle.

Technical Features

Glass protection.

Aqua sensor.

Load sensor.

Automatic detergent function.

Regeneration electronics.

Flow-through water heater.

Triple filter system, self-cleaning.

Soft lock.

Aqua stop.

Programs

6 programs:

Auto 127°F–151°F.

Regular 122°F–131°F.

Intensive 151°F–160°F.

Standard Eco 113°F–122°F.

Quick wash 126°F (30 min.).

Pre-rinse

4 cycle options:

Half Load.

Delicate.

Sanitize.

Extra Shine.

Features

Flexible rack system.

3rd rack for cutlery.

Upper rack:

Rackmatic with 3 levels, adjustable in height up to 2".

3 folding tines.

1 folding rack.

Lower rack:

4 folding tines.

1 folding rack.

Glass support.

Cutlery basket.

Maximum dish sizes

(upper/lower rack)

7"/10", 6.5"/11" or 5.5"/12" respectively

10 place setting capacity.

Consumption data

Total annual energy consumption
259 kWh.

Water usage: 2.5 gallons

Noise level: 44 dBA.

Planning notes

Height-adjustable feet.

Rear toe kick protrusion 3 15/16"
(see drawing).

Door feet adjustable at front.

Door weight up to 16.5 lbs.

Door panel dimension dependent on toe kick height of kitchen cabinets.

Ventilation openings required when installed as a tall unit.

Water connection with 3/4" screw gland.

For length of connection cable, water in-and-outlet, see adjacent drawing.

Please read further planning notes on pages 224–225.

Rating

Total rating 1.3 kW.

Total Amps: 12 A.

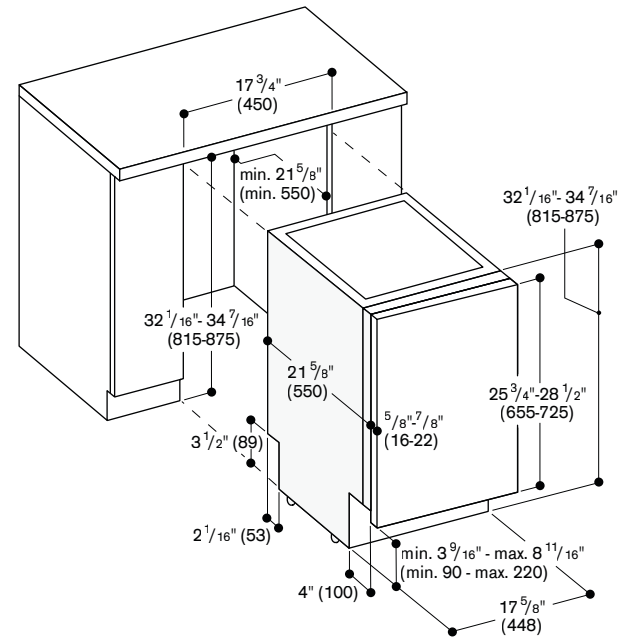
120 V / 60 Hz

Connecting cable 68 7/8" with plug.

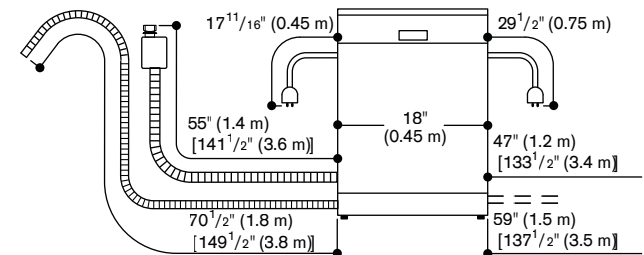
Euro Tub dishwasher DF 250

Toe kick height

– min. 3 9/16" – max. 8 11/16"



Connection dimensions for 18" wide dishwasher



[] values with extension kit

Numbers indicated
inside parenthesis () = mm