

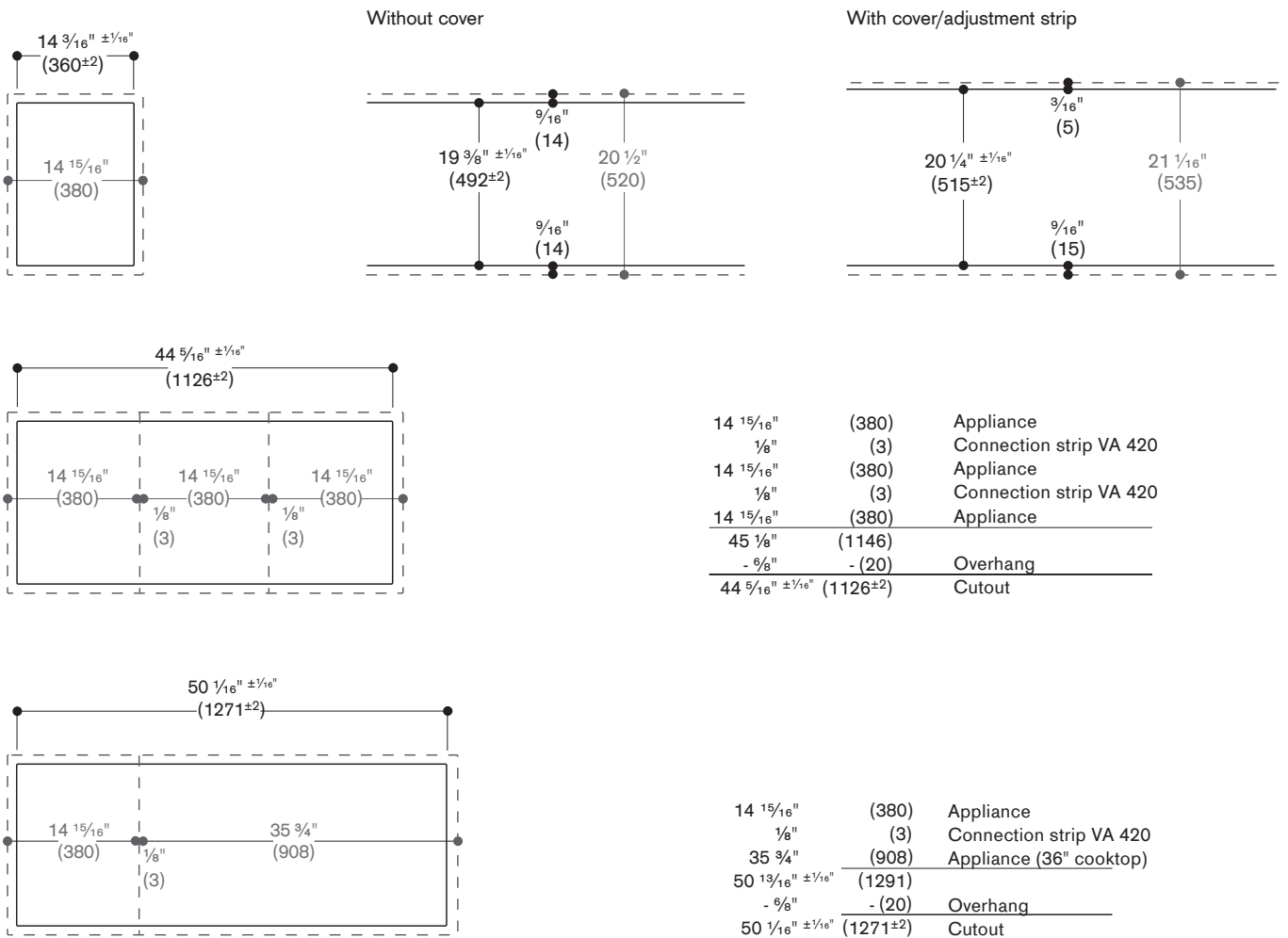
Cut-out dimensions for Vario 400 series combinations. Surface-mount installation.

The drawings below and on the following page show the cut-out dimensions for typical Vario 400 series combinations for a **surface-mount installation**. The installer can find suitable cut-out dimensions for combinations most frequently used by referring to the previous pages, the drawings below, and on the next page. The combinations listed here are only examples.

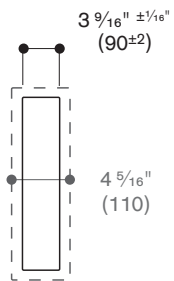
Depending on the type of installation (with or without cover/adjustment strip), the following connection strips must be used:
 VA420010 for a surface-mount installation **without** appliance cover/adjustment strip.
 VA420011 for a surface-mount installation **with** appliance cover/adjustment strip.

When installing with the VA 440 appliance cover or VA 450 adjustment strip, additional space for the cut-out depth needs to be considered.

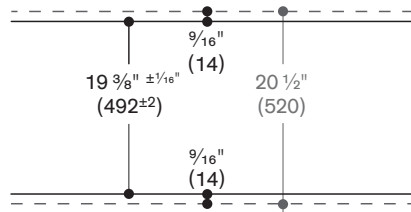
Combination examples without VL 414 downdraft unit:



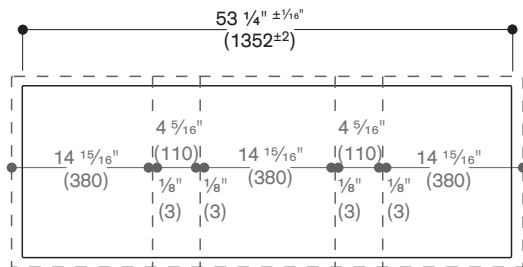
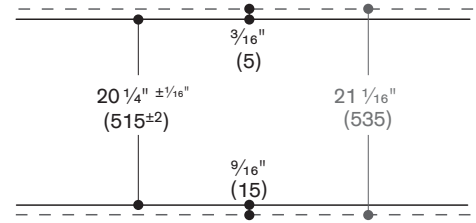
Combination examples with VL 414 downdraft unit:



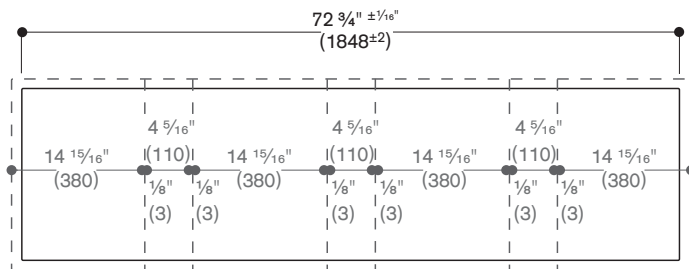
Without cover



With cover/adjustment strip



14 15/16"	(380)	Appliance
1/8"	(3)	Connection strip VA 420
4 5/16"	(110)	VL 414
1/8"	(3)	Connection strip VA 420
14 15/16"	(380)	Appliance
1/8"	(3)	Connection strip VA 420
4 5/16"	(110)	VL 414
1/8"	(3)	Connection strip VA 420
14 15/16"	(380)	Appliance
54"	(1372)	
- 6/8"	(-20)	Overhang
53 1/4" ± 1/16"	(1352±2)	Cutout



14 15/16"	(380)	Appliance
1/8"	(3)	Connection strip VA 420
4 5/16"	(110)	VL 414
1/8"	(3)	Connection strip VA 420
14 15/16"	(380)	Appliance
1/8"	(3)	Connection strip VA 420
4 5/16"	(110)	VL 414
1/8"	(3)	Connection strip VA 420
14 15/16"	(380)	Appliance
1/8"	(3)	Connection strip VA 420
4 5/16"	(110)	VL 414
1/8"	(3)	Connection strip VA 420
14 15/16"	(380)	Appliance
73 9/16"	(1868)	
- 6/8"	(-20)	Overhang
72 3/4" ± 1/16"	(1848±2)	Cutout

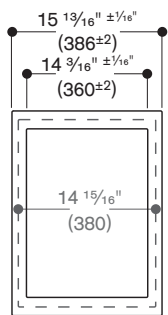
Cut-out dimensions for Vario 400 series combinations. Flush installation.

The drawings below and on the following page show the cut-out dimensions for typical Vario 400 series combinations for a **flush-mount installation**. The installer can find suitable cut-out dimensions for combinations most frequently used by referring to the previous pages and the drawings below and on the next page. The combinations listed here are only examples.

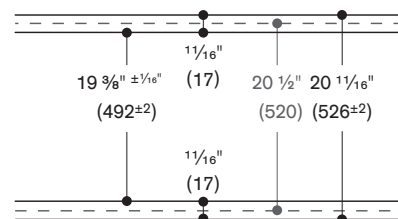
Depending on the type of installation (with or without cover/adjustment strip), the following connection strips must be provided:
 VA420000 for a flush installation **without** appliance cover/adjustment strip.
 VA420001 for a flush installation **with** appliance cover/adjustment strip.

If installing with the VA 440 appliance cover or VA 450 adjustment strip, additional space for the cut-out depth needs to be considered. Furthermore, you must ensure that there is an asymmetrical alignment in the cut-out depth.

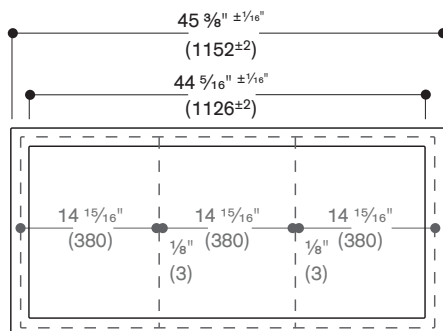
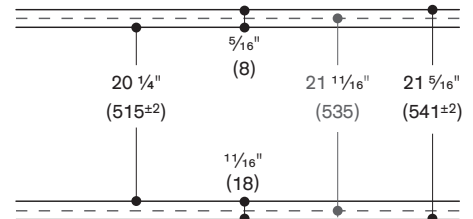
Combination examples without VL 414 downdraft unit:



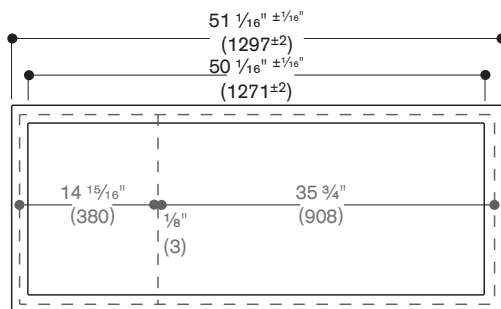
Without cover



With cover/adjustment strip

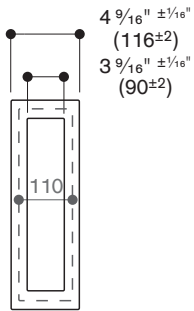


14 15/16"	(380)	Appliance
1/8"	(3)	Connection strip VA 420
14 15/16"	(380)	Appliance
1/8"	(3)	Connection strip VA 420
14 15/16"	(380)	Appliance
45 1/16"	(1146)	
- 6/8"	- (20)	Overhang
44 5/16" ± 1/16"	(1126±2)	Cutout
+ 6/8"	+ (20)	Overhang
+ 1/4"	+ (6)	Silicone joint
45 3/8" ± 1/16"	(1152±2)	Cutout with groove

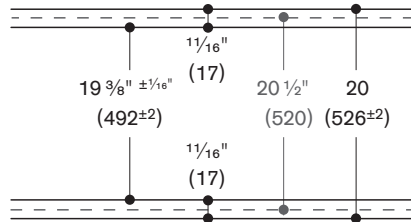


14 15/16"	(380)	Appliance
1/8"	(3)	Connection strip VA 420
35 3/4"	(908)	Appliance
50 13/16"	(1291)	
- 6/8"	- (20)	Overhang
50 1/16" ± 1/16"	(1271±2)	Cutout
+ 6/8"	+ (20)	Overhang
+ 1/4"	+ (6)	Silicone joint
51 1/16" ± 1/16"	(1297±2)	Cutout with groove

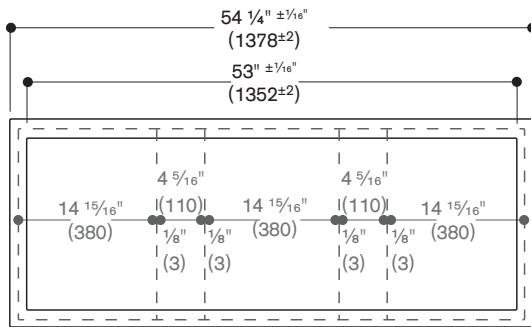
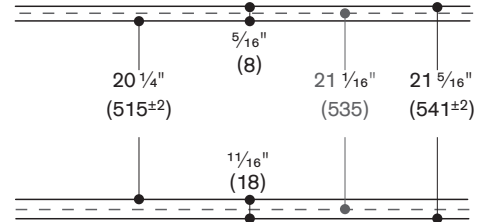
Combination examples with VL 414 downdraft unit:



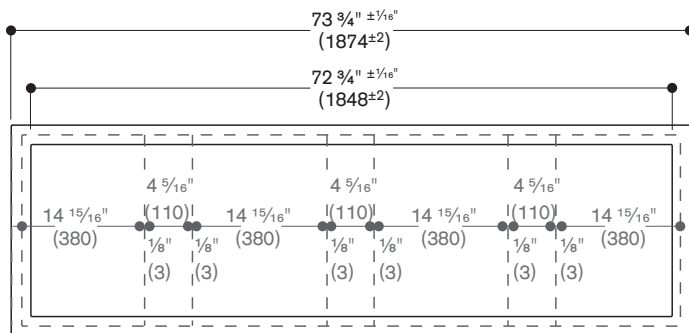
Without cover



With cover/adjustment strip



14 15/16"	(380)	Appliance
1/8"	(3)	Connection strip VA 420
4 5/16"	(110)	VL 414
1/8"	(3)	Connection strip VA 420
14 15/16"	(380)	Appliance
1/8"	(3)	Connection strip VA 420
4 5/16"	(110)	VL 414
1/8"	(3)	Connection strip VA 420
14 15/16"	(380)	Appliance
<hr/>		
54"	(1372)	
- 9/8"	-(20)	Overhang
<hr/>		
53 1/4" ± 1/16"	(1352±2)	Cutout
+ 3/4"	+(20)	Overhang
+ 1/4"	+(6)	Silicone joint
<hr/>		
54 1/4" ± 1/16"	(1378±2)	Cutout with groove

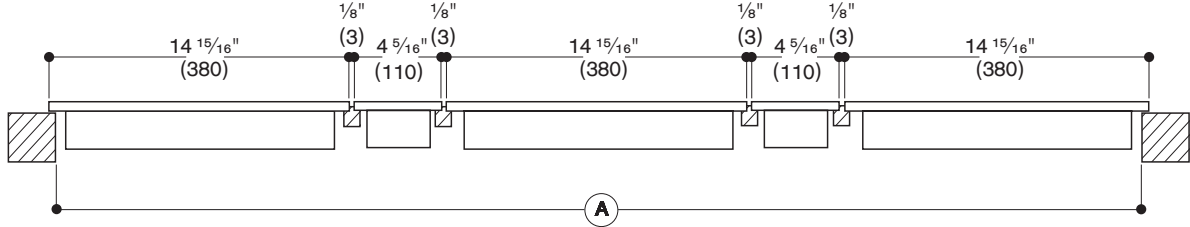


14 15/16"	(380)	Appliance
1/8"	(3)	Connection strip VA 420
4 5/16"	(110)	VL 414
1/8"	(3)	Connection strip VA 420
14 15/16"	(380)	Appliance
1/8"	(3)	Connection strip VA 420
4 5/16"	(110)	VL 414
1/8"	(3)	Connection strip VA 420
14 15/16"	(380)	Appliance
1/8"	(3)	Connection strip VA 420
4 5/16"	(110)	VL 414
1/8"	(3)	Connection strip VA 420
14 15/16"	(380)	Appliance
<hr/>		
73 9/16"	(1868)	
- 9/8"	-(20)	Overhang
<hr/>		
72 3/4" ± 1/16"	(1848±2)	Cutout
+ 9/8"	+(20)	Overhang
+ 1/4"	+(6)	Silicone joint
<hr/>		
73 3/4" ± 1/16"	(1874±2)	Cutout with groove

Cut-out dimensions for Vario 400 series combinations. Calculating tool for the cut-out width.

Calculation of the cut-out width for a surface-mount installation

Example using a combination of VI 414 wok induction, VI 422 2-zone induction, VP 414 teppan yaki, and 2x VL 414 downdraft ventilation units.

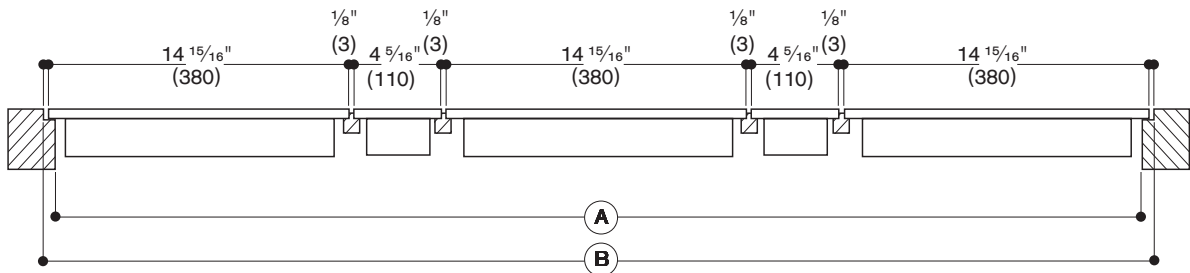


		Example			Your combination
Total width of all appliances	in inches (mm)	$(3 \times 14 \frac{15}{16}'' (380)) + (2 \times 4 \frac{5}{16}'' (110))$	$53 \frac{9}{16}''$	(1,360)
+ Number of connection strips	$x \frac{1}{8}'' (3)$	$4 \times \frac{1}{8}'' (3)$	$+ \frac{1}{2}''$	(12)
- Lateral appliance overhang	$(\frac{9}{16}'' (10) / \text{side})$	$\frac{9}{16}'' (20)$	$- \frac{9}{16}''$	(20)	$- \frac{9}{16}'' (20)$
(A) Total cut-out width	(in inches (mm))		$53 \frac{1}{4}'' \pm \frac{1}{16}''$	(1,352 ± 2) $\pm \frac{1}{16}'' (\pm 2)$

Cut-out depth is dependent on the installation type with or without appliance cover/adjustment strip.

Calculation of the cut-out width for a flush installation

Example using a combination of VI 414 wok induction, VI 422 2-zone induction, VP 414 teppan yaki, and 2x VL 414 downdraft ventilation units.



		Example			Your combination
Total width of all appliances	in inches (mm)	$(3 \times 14 \frac{15}{16}'' (380)) + (2 \times 4 \frac{5}{16}'' (110))$	$53 \frac{9}{16}''$	(1,360)
+ Number of connection strips	$x \frac{1}{8}'' (3)$	$4 \times \frac{1}{8}'' (3)$	$+ \frac{1}{2}''$	(12)
- Lateral appliance overhang	$(\frac{9}{16}'' (10) / \text{side})$	$\frac{9}{16}'' (20)$	$- \frac{9}{16}''$	(20)	$- \frac{9}{16}'' (20)$
(A) Total cut-out width	(in inches (mm))		$53 \frac{1}{4}'' \pm \frac{1}{16}''$	(1,352 ± 2) $\pm \frac{1}{16}'' (\pm 2)$
+ Lateral appliance overhang	$(\frac{9}{16}'' (10) / \text{side})$	$\frac{9}{16}'' (20)$	$+ \frac{9}{16}''$	(20)	$- \frac{9}{16}'' (20)$
+ Silicone joint ($\frac{1}{8}'' (3)$ circumference)		$2 \times \frac{1}{8}'' (3)$	$+ \frac{1}{4}''$	(6)	$+ \frac{1}{4}'' (6)$
(B) Total width with groove	in inches (mm)		$54 \frac{1}{4}'' \pm \frac{1}{16}''$	(1,378 ± 2) $\pm \frac{1}{16}'' (\pm 2)$

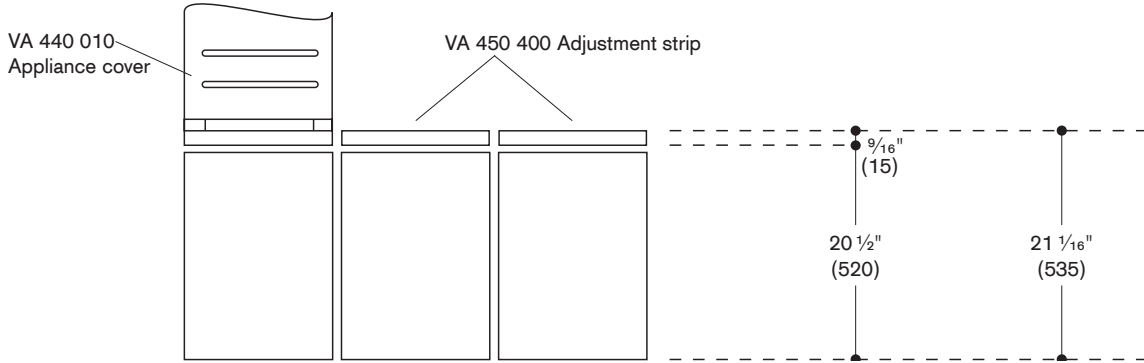
Cut-out depth is dependent on the installation type with or without appliance cover/adjustment strip.

Numbers indicated
inside parenthesis () = mm

Installation with appliance cover and adjustment strip

All appliances with a width of 15 inches can be equipped with a stainless steel appliance cover.

If combining several appliances with at least one appliance cover, the VA 450 adjustment strip is required to compensate for the depth of the appliance without the appliance cover and to have a continuous cut-out.



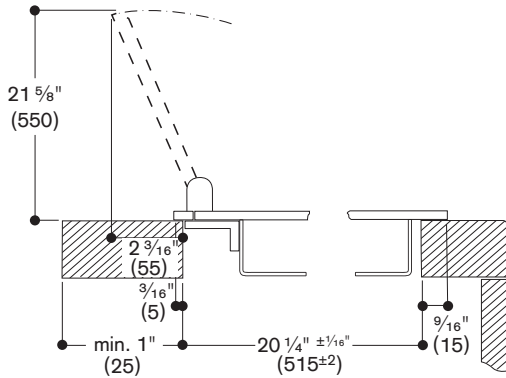
When installing with appliance cover or adjustment strip, depending on the type of installation (surface-mount or flush), the following connecting strips must be used:

VA420011 for a **surface-mount installation** with appliance cover/adjustment strip.

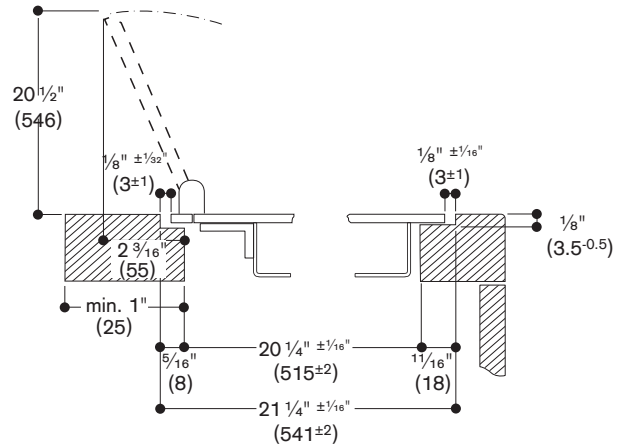
VA420001 for a **flush-mount installation** with appliance cover/adjustment strip.

When installing with the VA 440 appliance cover or VA 450 adjustment strip, additional space for the cut-out depth needs to be considered. Furthermore, you must ensure that there is an asymmetrical alignment in the cut-out depth.

Installation with appliance cover/adjustment strip; surface-mount installation



Installation with appliance cover/adjustment strip; flush installation



Numbers indicated inside parenthesis () = mm