



#### Controls on top

##### Left-hinged

CM 470 711

Stainless steel-backed full glass front  
Width 24" (60 cm)

##### Included accessories

- 1 assembly screws
- 1 scoop
- 1 water hardness test strip
- 1 milk container (insulated) 17 oz (0.5 liters)
- 1 connection hose for milk frother
- 1 milk tube

##### Optional accessories

(order as spare parts):

Part # 12008246

Water filter

Part # 00311820

Descaling tablets

Part # 00311823

Cleaning tablets

Part # 00636455

Door hinge restrictor

(92° opening angle)

Part # 11005967

Stainless steel milk container

Part # 11015223

One-pound bean container with lid

#### 400 series fully automatic espresso machine

CM 470

- Handleless door/automatic door opening
- Fixed inlet and outlet water connection
- Continuous flow heater means no waiting time and constant brewing temperature
- Aroma brewing technology for a full aroma
- Single portion cleaning
- TFT touch display
- Panel-free appliance with surface control module
- One-touch operation
- Personalization function
- Seven light settings
- Electronic fill level control for milk, water and coffee to ensure a perfect result

#### Beverage types

Ristretto/2 x Ristretto.

Espresso/2 x Espresso.

Espresso Macchiato/2 x Espresso Macchiato.

Coffee/2 x Coffee.

Americano/2 x Americano.

Caffe Latte/2 x Caffe Latte.

Latte Macchiato/2 x Latte Macchiato.

Cappuccino/2 x Cappuccino.

Flat White/2 x Flat White.

Milk froth/2 x Milk froth.

Warm milk/2 x Warm milk.

Hot water/2 x Hot water.

#### Operation

Automatic door opening to the left. Rotary knobs and TFT touch display operation.

Clear text display in 25 languages. Personalization function, option to save 8 individualized beverages.

4 beverage size settings, volume can be individually adjusted to match the size of the cup.

8 coffee strength levels from very mild to extra strong.

3 coffee temperature levels.

10 hot water temperature levels.

4 coffee-milk ratio levels.

Adjustable grinding level.

Height-adjustable coffee dispenser 2 3/4" to 5 7/8".

Easy access to water tank, milk and coffee bean container behind the door.

#### Features

Maintenance-free grinding unit with ceramic discs.

Separate drawer for second ground coffee type.

Water pump with 275 psi (19 bar) pressure.

Double grinding and brewing cycles for extra intensity for single beverage order.

For double beverage order, two grinding and brewing cycles.

Beverage dispenser with integrated milk system.

Insulated stainless steel milk container for up to 17 oz. (0.5 liters).

Integrated lightning with LEDs.

Removable 17.6 oz. (0.5 kg) bean container with aroma protecting lid allows for an effortless exchange of different types of coffee beans.

Please read the installation details regarding combination with ovens on the pages 12–13.

Automatic adjustment of ground coffee quantity.  
Removable 81 oz. (2.4 liter) water tank. Fresh water-function to refill the water tank with fresh water.  
Electronic water filter exchange indicator.  
Electronic fill level control for drip tray and container for coffee residue.

#### Safety

Child lock.

Aqua stop.

#### Cleaning

Fully automatic rinse program when machine is turned on/off.  
Automatic steam cleaning of the milk system after every beverage.  
Automatic cleaning and descaling program.  
Emptying program to prepare the appliance for holiday or transportation.  
Empty-grinding function to remove coffee residues from the system when switching bean types.  
Removable brewing unit.  
Dishwasher-safe coffee residue container and drip tray.  
Dishwasher-safe beverage dispenser.

#### Planning notes

Ideal installation height 3.1 ft.– 4.8 ft. (top edge of bottom niche).

The front of the appliance extends 1 7/8" from the furniture cavity.

When installing in a corner, a side clearance is required.

Door opening angle approximately 110° (default status upon delivery)—mounting distance to the wall has to be at least 13 3/4".

Door opening angle approximately 155°—mounting distance to the wall has to be at least 25 7/8".

Door opening angle approximately 92°—mounting distance to the wall has to be at least 3 15/16" (spare part# 00636455).

Installation directly above WS 461 (5 7/8" tall) warming drawer in 23 1/4" standard cut-out niche.

At no point may the outlet hose be positioned higher than the bottom edge of the appliance. The outlet hose must also be at least 5 7/8" (150mm) lower than the appliance outlet (see drawing "drainage connection").  
If the appliance is placed too far from the main siphon, the drain system has to be adjusted on-site (building installation).

The water connection (1) for the inlet hose must always be accessible and not located directly behind the appliance.

The connection of the outlet hose to the siphon (2) must not be directly behind the appliance and should be accessible.

#### Rating

Total rating: 1.6 kW.

Total Amps: 10 A.

120 V / 60 Hz

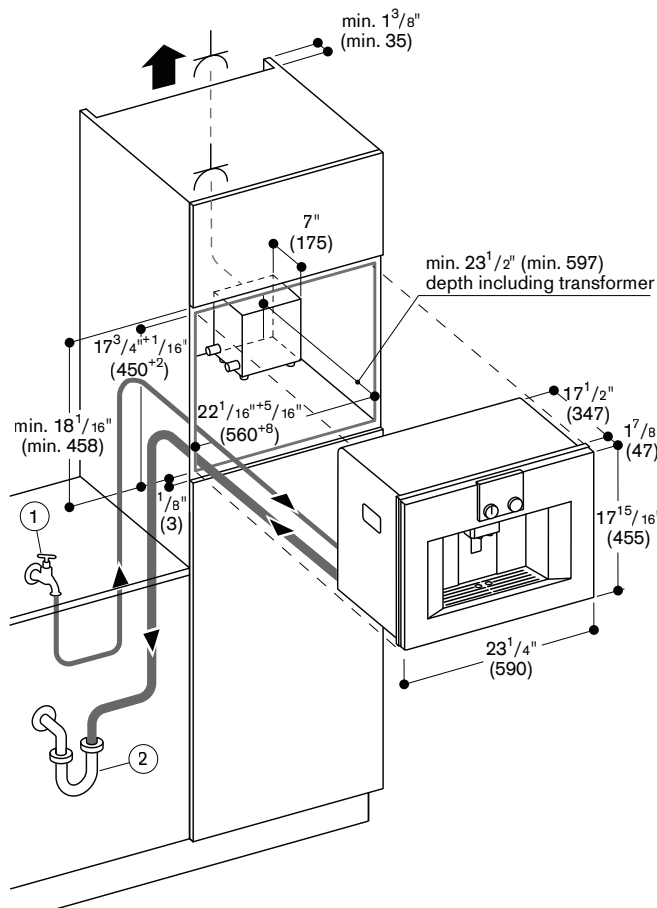
Connection cable 39" with plug.

Only cold water connection.

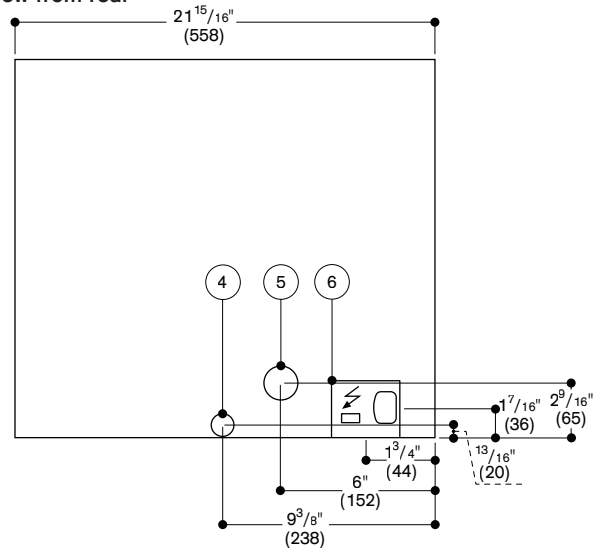
Inlet hose 65" (165 cm) with 1"

(26.4 mm) connection,

Outlet hose ø 3/4" (ø 18 mm) 67" (170 cm).

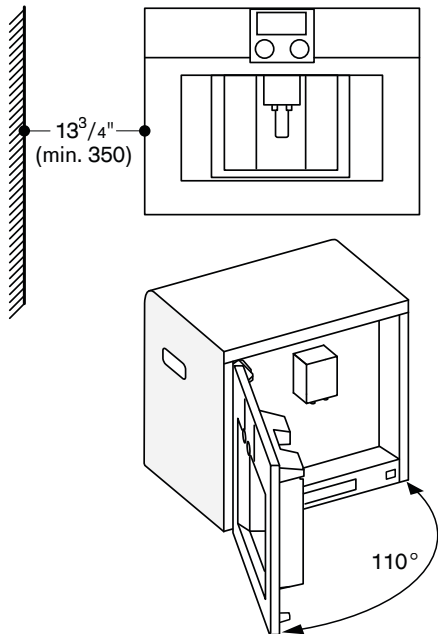


View from rear



- (4) Water outlet
- (5) Cold-water connection
- (6) Electric terminal box

Left corner installation



If using the 92° door hinge restrictor (spare part no. 00636455), the minimum distance to the wall is only  $3\frac{15}{16}$ " (100 mm).

Drainage connection

