



CI 491 612

Stainless steel frame
Width 36" (90 cm)

Optional accessories

GP 900 001

Stainless steel frying pan
Non-stick coating, for \varnothing 6" cooking zone.

GP 900 002

Stainless steel frying pan
Non-stick coating, for \varnothing 7" cooking zone.

GP 900 003

Stainless steel frying pan
Non-stick coating, for \varnothing 8" cooking zone.

Induction cooktop

CI 491

- Stainless steel frame
- Frying sensor function
- Power boost function for the 11" cooking zone with 4,400W
- Twist-Pad control with removable magnetic knob

Cooking zones

1 induction cooking zone \varnothing 7" (1,800 W, with Power boost 2,500 W), automatically switches to \varnothing 11" (2,800 W, with Powerboost 4,400W).
1 induction cooking zone \varnothing 8" (2,200 W, with Powerboost 3,300W).
2 induction cooking zones \varnothing 7" (1,800 W, with Powerboost 2,500W).
1 induction cooking zone \varnothing 6" (1,400 W, with Powerboost 1,800W).

Features

Twist-Pad control with removable magnetic knob.
Cooking zone marking.
Electronic power control in 17 output levels.
Frying sensor function for \varnothing 7" and \varnothing 8" cooking zones.
Power boost function for each cooking zone.
Power boost function for \varnothing 11" cooking zone.
Quick boil timer, with individually adjustable boiling time.
Cooking timer for each zone for up to 90 minutes with automatic shut off.
Short-term timer.
Memory function.
Options menu.
Power management.

Safety

Main switch.
Operation indication.
Pan detection.
Individual residual heat indication.
Child lock.
Safety lock.

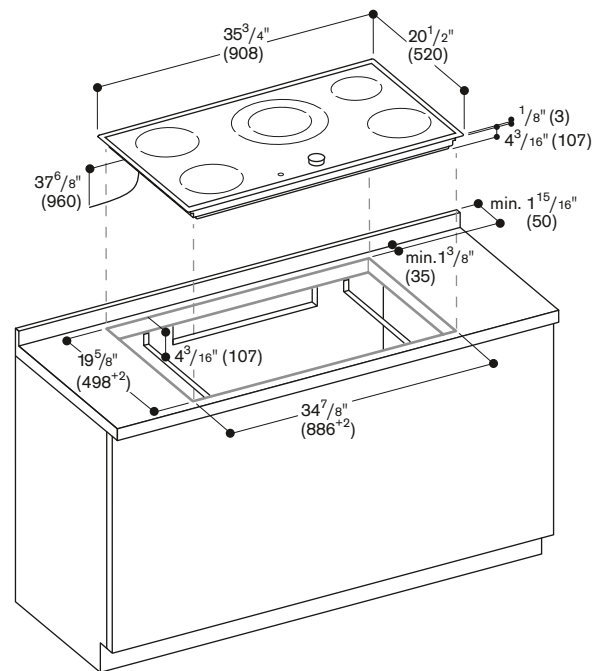
Planning notes

Operates with magnetic (induction) ready pots and pans only.
For optimal heat distribution, the use of sandwich bottom cookware is recommended.
Doesn't operate without Twist-Pad knob.
Immersion depth 2 1/4".
Appliance must be fixed from underneath.
Hard wire required.
Cooktop clamping range: 1 3/16" - 1 9/16".

Please read the installation details regarding air ducting on page 115.

Rating

Total rating: 10.8 kW
Total Amps: 45
208/220 - 240 V / 60Hz
Plan for a 60" connection cable without plug (hardwire required).



Immersion depth in the area of electric connection casing 4 3/16" (107)

Numbers indicated
inside parenthesis () = mm